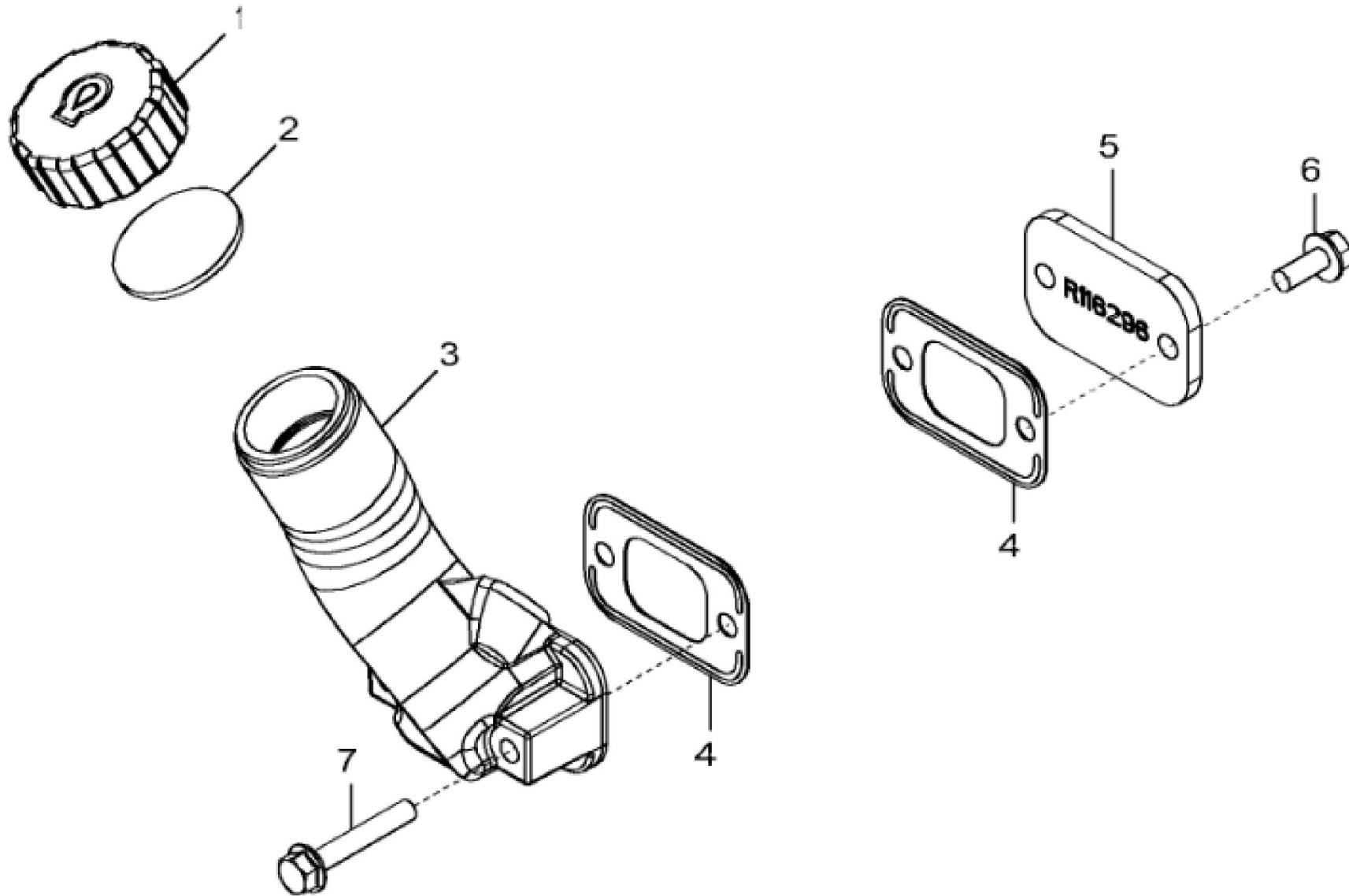


1118_RE506218_PCD

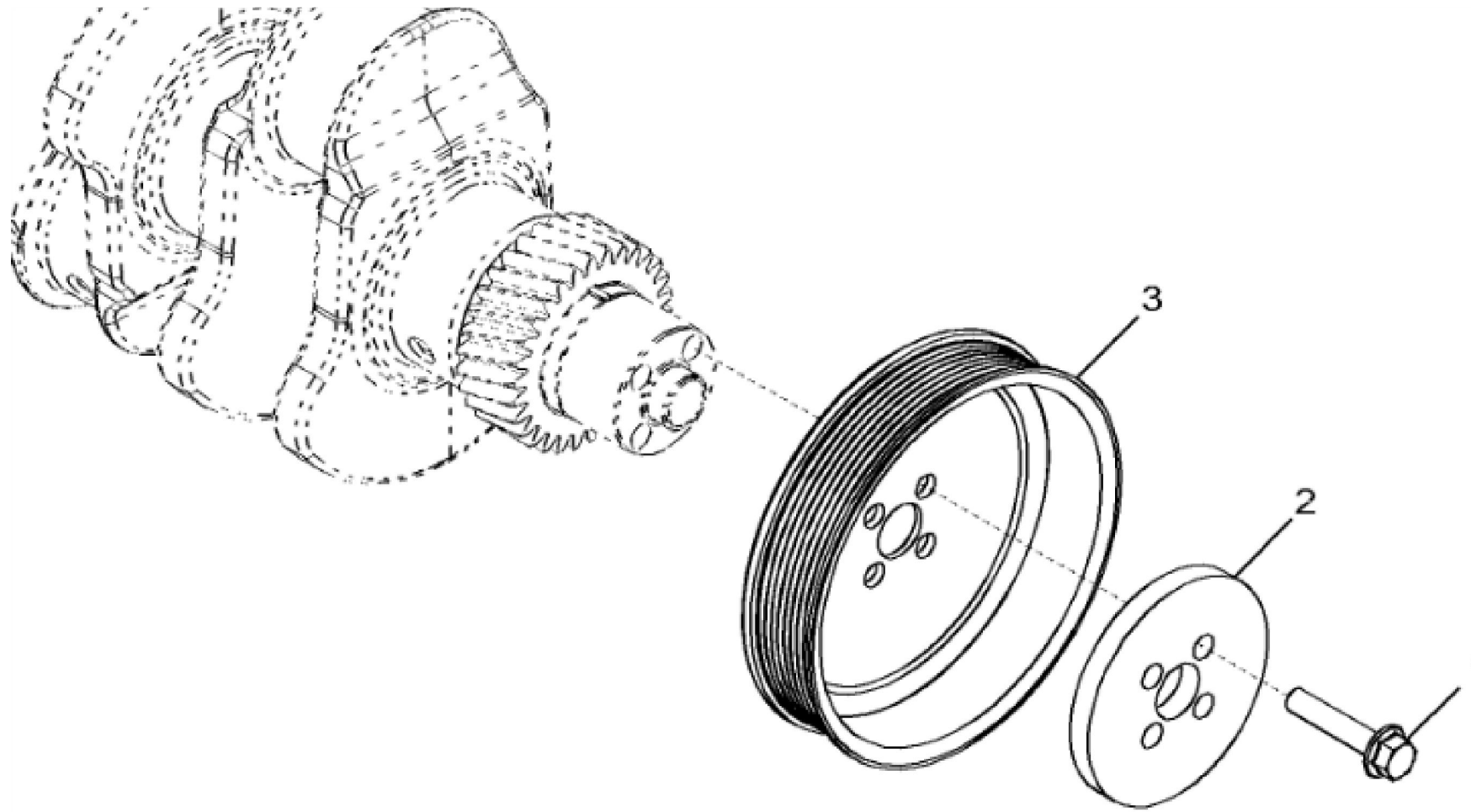
John Deere > Construction And Forestry >BACKHOE, LOADER >325K - BACKHOE, LOADER >325K Backhoe Loader (PIN: 1T0325KX__C219607 - C234969)(Engine 4045TT096) >04 ENGINE 4045TT096-RE545793 >0400 ENGINE 4045TT096-RE545793 4045TT096 >ST136719 - 1118 ROCKER ARM COVER

| KEY | PART NO. | PART NAME | QTY | REMARKS | |
|-----|----------|-------------|-----|----------------|--|
| 1 | H23125 | PLUG | 4 | | |
| 2 | R123574 | NUT | 4 | | |
| 3 | R123575 | O-RING | 4 | | |
| 4 | RE502969 | VALVE COVER | 1 | MARKED R519779 | |
| 5 | R524480 | GASKET | 1 | | |



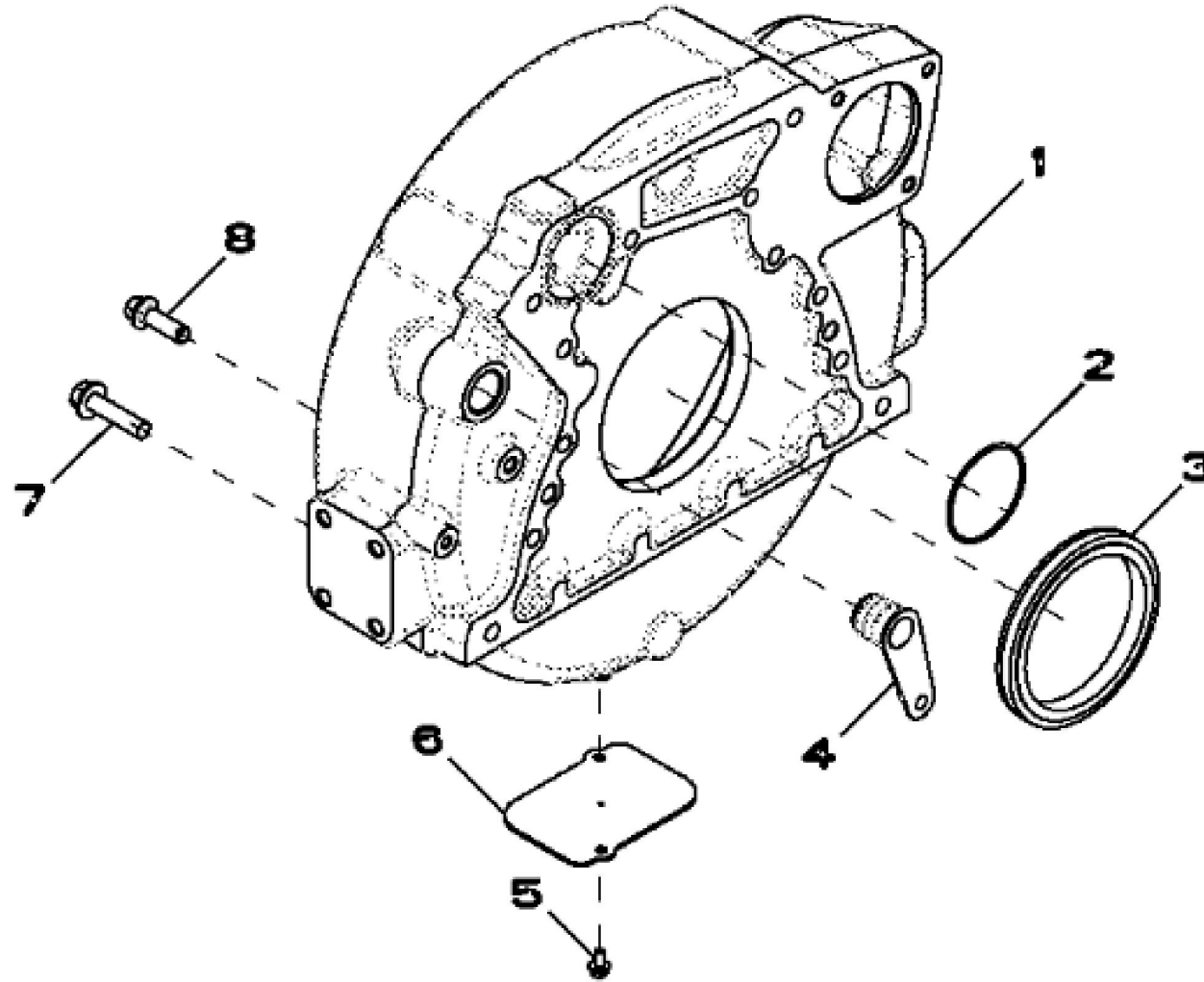
John Deere > Construction And Forestry >BACKHOE, LOADER >325K - BACKHOE, LOADER >325K Backhoe Loader (PIN: 1T0325KX__C219607 - C234969)(Engine 4045TT096) >04 ENGINE 4045TT096-RE545793 >0400 ENGINE 4045TT096-RE545793 4045TT096 >ST37695 - 1229 OIL FILLER NECK

| KEY | PART NO. | PART NAME | QTY | REMARKS | |
|-----|----------|-------------|-----|----------------|--|
| 1 | R80136 | FILLER CAP | 1 | | |
| 2 | R80135 | GASKET | 1 | | |
| 3 | R123558 | FILLER NECK | 1 | | |
| 4 | R136495 | GASKET | 2 | | |
| 5 | R116296 | COVER | 1 | MARKED R116296 | |
| 6 | RE67238 | SCREW | 2 | | |
| 7 | RE67240 | SCREW | 2 | | |



John Deere > Construction And Forestry >BACKHOE, LOADER >325K - BACKHOE, LOADER >325K Backhoe Loader (PIN: 1T0325KX__C219607 - C234969)(Engine 4045TT096) >04 ENGINE 4045TT096-RE545793 >0400 ENGINE 4045TT096-RE545793 4045TT096 >ST351152 - 1302 CRANKSHAFT PULLEY

| KEY | PART NO. | PART NAME | QTY | REMARKS | |
|-----|----------|-----------|-----|---------|--|
| 1 | R121897 | BOLT | 4 | | |
| 2 | R500649 | WASHER | 1 | | |
| 3 | R133295 | PULLEY | 1 | | |



RE502001PCDE02

Thank you so much for reading.
Please click the “Buy Now!”
button below to download the
complete manual.



After you pay.

You can download the most
perfect and complete manual in
the world immediately.

Our support email:

ebooklibonline@outlook.com