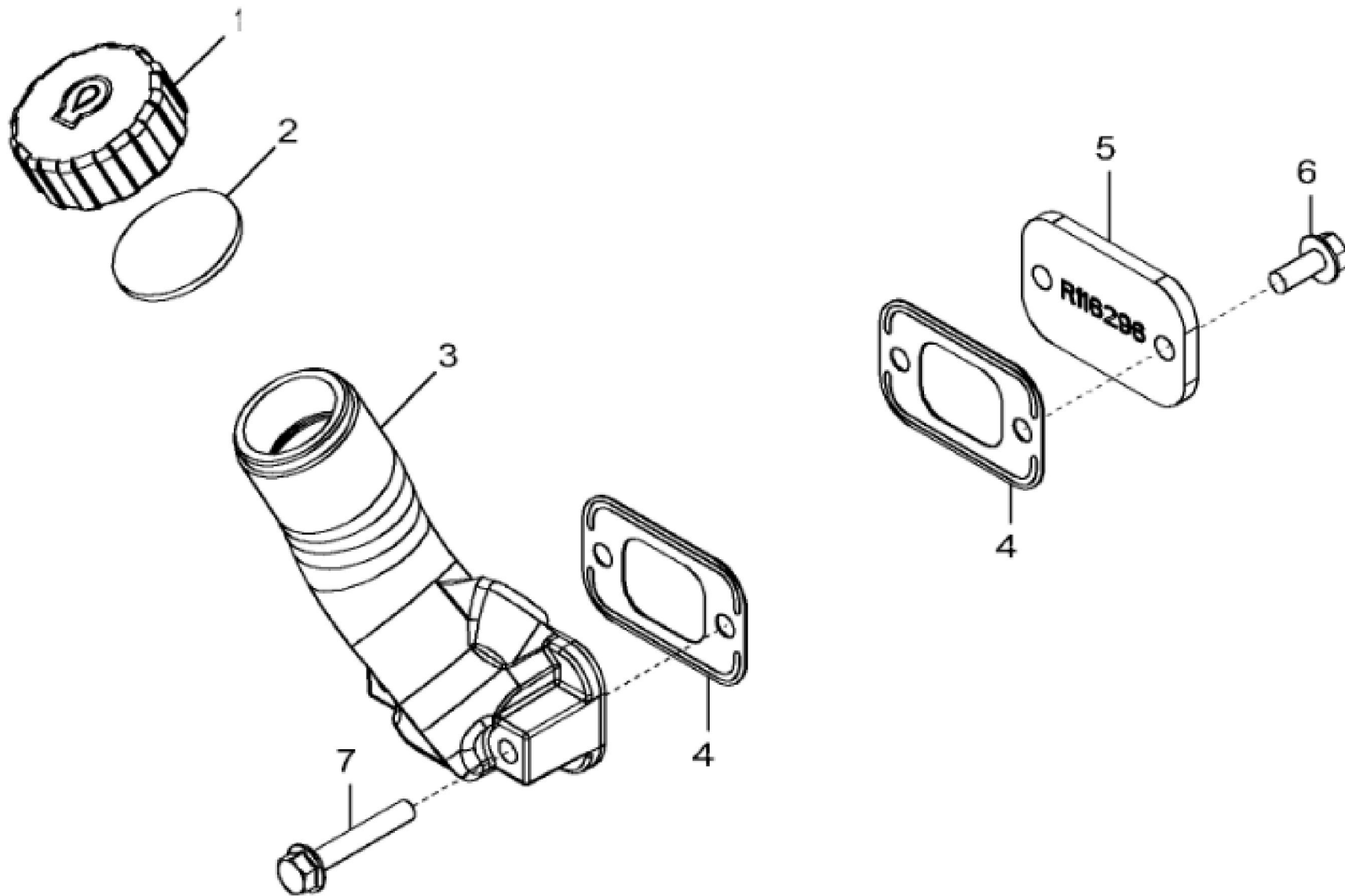


1118_RE506218_PCD

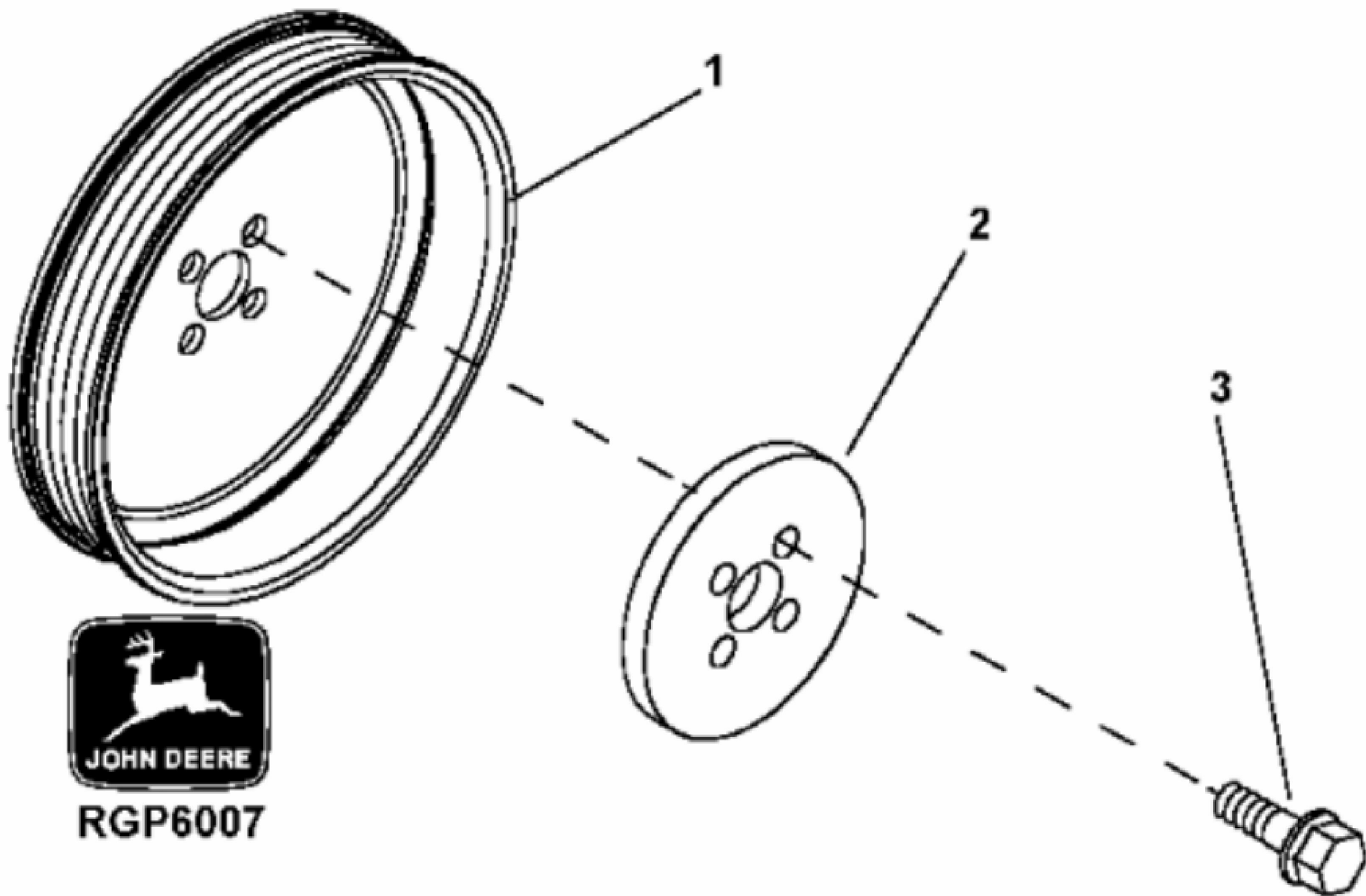
John Deere > Construction And Forestry >BACKHOE, LOADER >310K - BACKHOE, LOADER >310K Backhoe Loader (Engine 4045TT096, 4045TBZ01)(PIN: 1BZ310KX__C000001-) >04A ENGINE
4045TBZ01-RE564738 >0400A ENGINE 4045TBZ01-RE564738 4045TBZ01 >ST620527 - 1118 VALVE COVER

KEY	PART NO.	PART NAME	QTY	REMARKS	
1	H23125	PLUG	4		
2	R123574	NUT	4		
3	R123575	O-RING	4		
4	RE502969	VALVE COVER	1	MARKED R519779	
5	R524480	GASKET	1		



John Deere > Construction And Forestry >BACKHOE, LOADER >310K - BACKHOE, LOADER >310K Backhoe Loader (Engine 4045TT096, 4045TBZ01)(PIN: 1BZ310KX__C000001-) >04A ENGINE
4045TBZ01-RE564738 >0400A ENGINE 4045TBZ01-RE564738 4045TBZ01 >ST37695 - 1229 OIL FILLER NECK

KEY	PART NO.	PART NAME	QTY	REMARKS	
1	R80136	FILLER CAP	1		
2	R80135	GASKET	1		
3	R123558	FILLER NECK	1		
4	R136495	GASKET	2		
5	R116296	COVER	1	MARKED R116296	
6	RE67238	SCREW	2		
7	RE67240	SCREW	2		

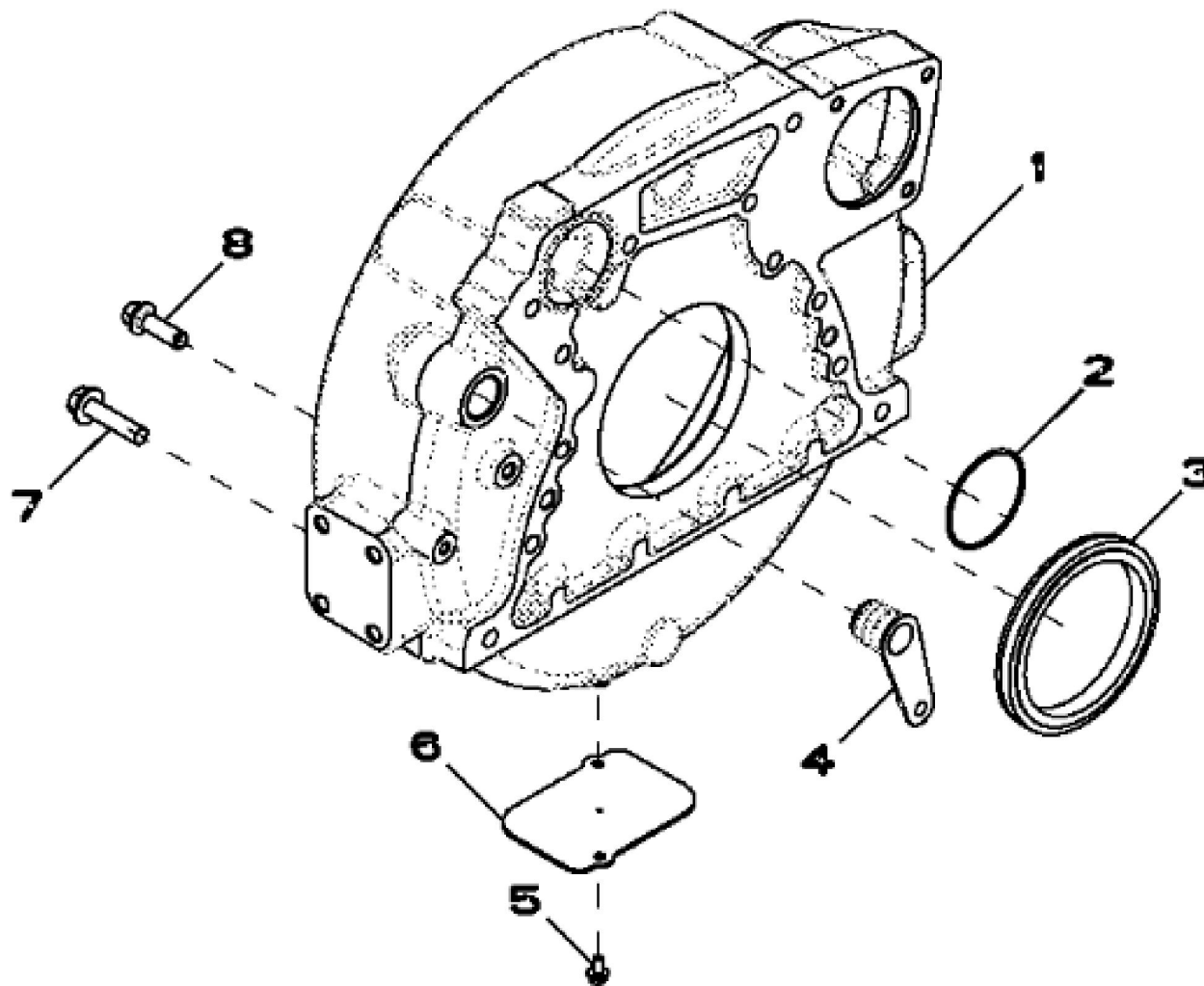


JOHN DEERE

RGP6007

John Deere > Construction And Forestry >BACKHOE, LOADER >310K - BACKHOE, LOADER >310K Backhoe Loader (Engine 4045TT096, 4045TBZ01)(PIN: 1BZ310KX__C000001-) >04A ENGINE
4045TBZ01-RE564738 >0400A ENGINE 4045TBZ01-RE564738 4045TBZ01 >ST587568 - 1302 CRANKSHAFT PULLEY

KEY	PART NO.	PART NAME	QTY	REMARKS	
1	R133295	PULLEY	1	(SUB FOR R123189)	
2	R500649	WASHER	1	(SUB FOR R133385)	
3	R121897	BOLT	4	M10 X 50	



RE502001PCDE02

Thank you so much for reading.
Please click the “Buy Now!”
button below to download the
complete manual.



After you pay.

You can download the most
perfect and complete manual in
the world immediately.

Our support email:

ebooklibonline@outlook.com