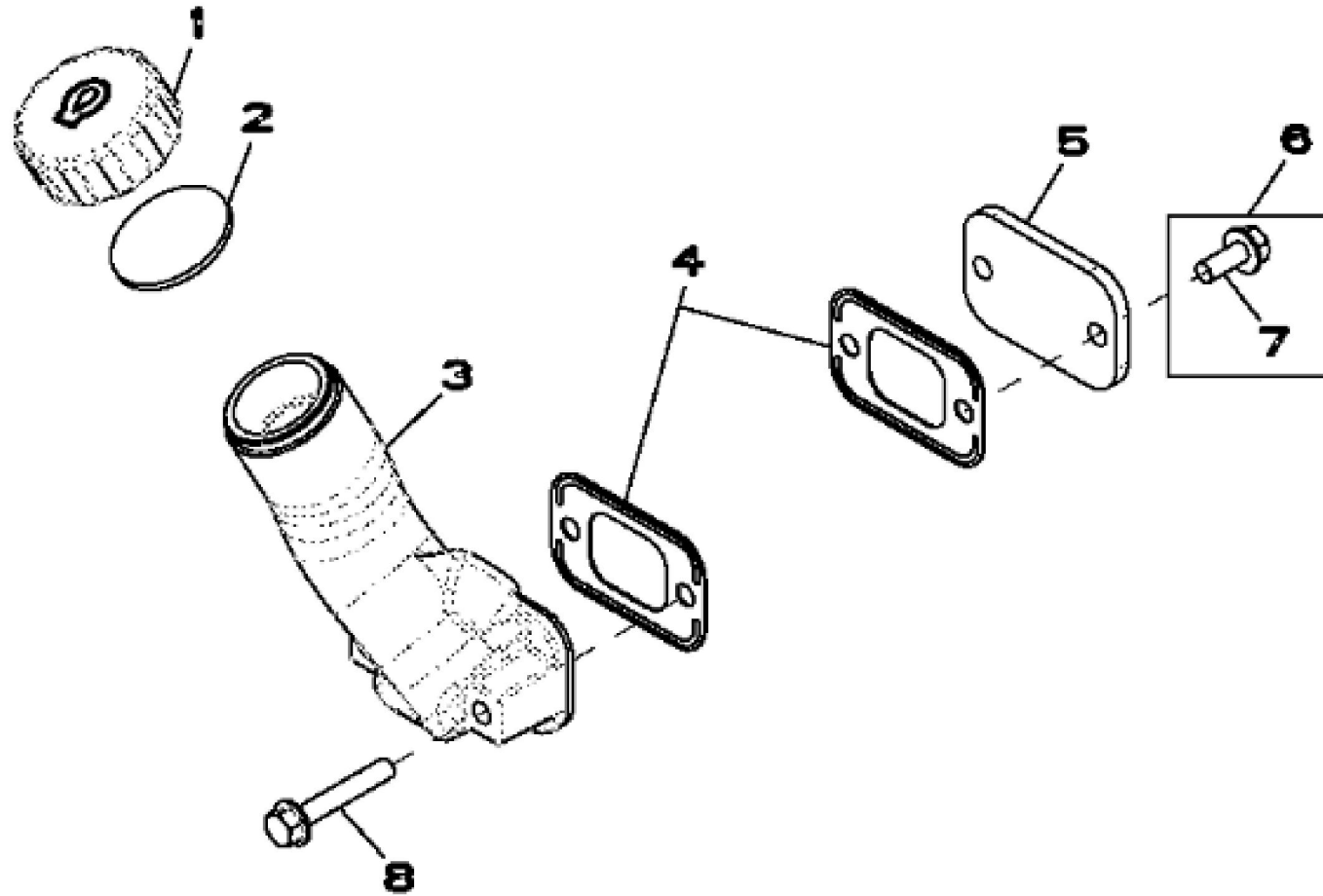


John Deere > Construction And Forestry >BACKHOE, LOADER >310L EP - BACKHOE, LOADER >310L EP Backhoe Loader (Engine 4045HT072)(PIN: 1T0310EL\_G273920- ) >04 ENGINE 4045HT072-RE545795 >0400 ENGINE 4045HT072-RE545795 4045HT072 >ST349518 - 1160 ROCKER ARM COVER

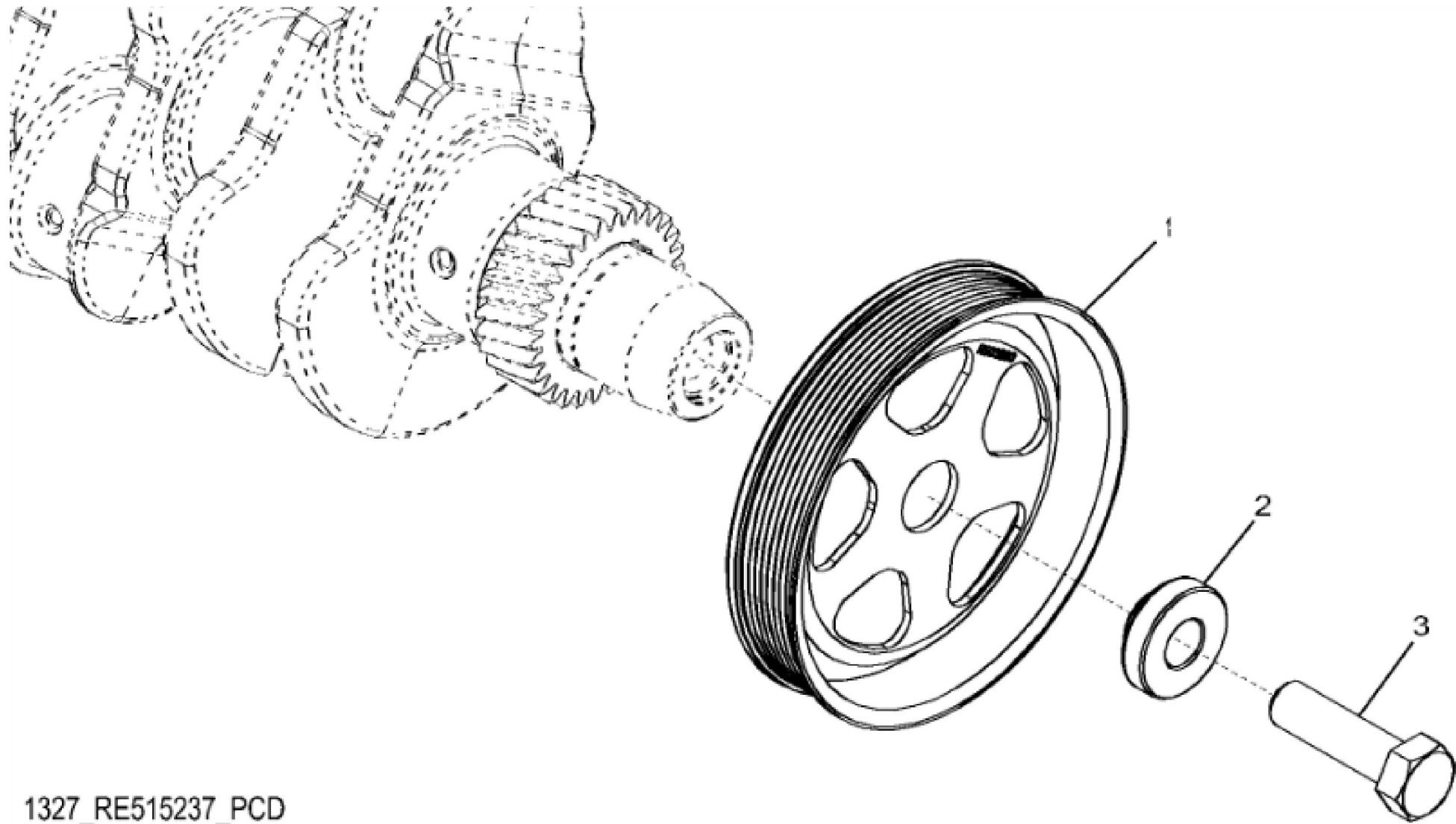
KEY	PART NO.	PART NAME	QTY	REMARKS	
1	RE527858	SCREW	2		
2	R522409	HEAT SHIELD	1		
3	H23125	PLUG	4		
4	R123574	NUT	4		
5	R123575	O-RING	4		
6	R520896	VALVE COVER	1	(Not Illustrated) ORDER R543879	
6	R543879	VALVE COVER	1	MARKED R543880	
7	R524468	GASKET	1		
8	RE528742	DEFLECTOR	1		
9	19M7862	SCREW	1	M6 X 20	



RE515712PC0002

John Deere > Construction And Forestry >BACKHOE, LOADER >310L EP - BACKHOE, LOADER >310L EP Backhoe Loader (Engine 4045HT072)(PIN: 1T0310EL\_G273920- ) >04 ENGINE 4045HT072-RE545795 >0400 ENGINE 4045HT072-RE545795 4045HT072 >ST57986 - 1229 OIL FILL INLET

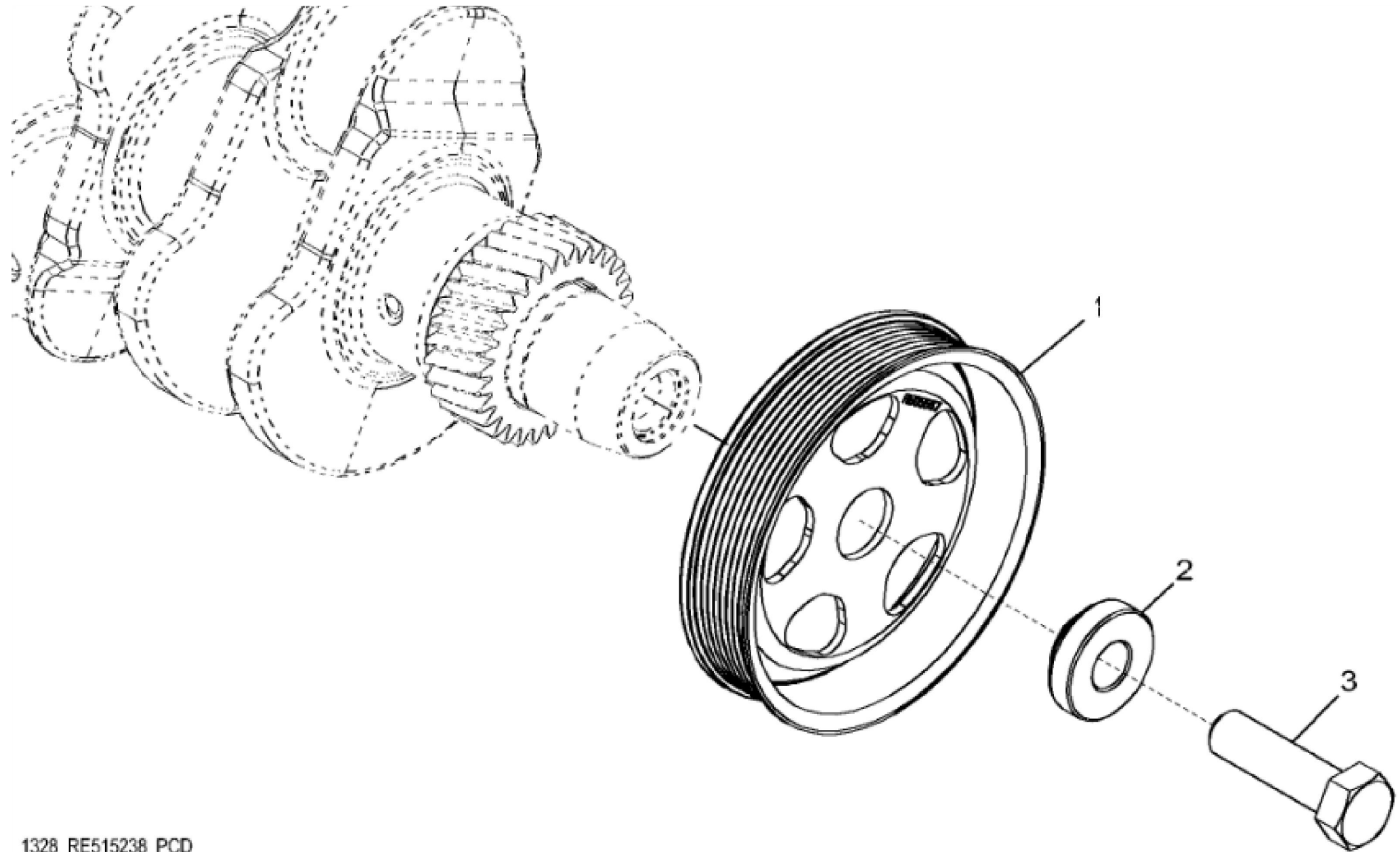
KEY	PART NO.	PART NAME	QTY	REMARKS	
1	R80136	FILLER CAP	1		
2	R80135	GASKET	1		
3	R517353	FILLER NECK	2		
4	R136495	GASKET	1		
5	R116296	COVER	2		
6	RE67238	SCREW	2	(Threads with Pre Applied Sealant)	
7	19M7866	SCREW	2	(Threads without Pre Applied Sealent) M8 X 20	
8	RE67240	SCREW	1		



1327\_RE515237\_PCD

John Deere > Construction And Forestry >BACKHOE, LOADER >310L EP - BACKHOE, LOADER >310L EP Backhoe Loader (Engine 4045HT072)(PIN: 1T0310EL\_G273920- ) >04 ENGINE 4045HT072-RE545795 >0400 ENGINE 4045HT072-RE545795 4045HT072 >ST308624 - 1327 CRANKSHAFT PULLEY

KEY	PART NO.	PART NAME	QTY	REMARKS	
1	R503880	PULLEY	1	OD = 188 mm	
2	R515040	BUSHING	1	OD = 50 mm	
3	R516648	CAP SCREW	1	M20 X 70	



1328\_RE515238\_PCD

Thank you so much for reading.  
Please click the “Buy Now!”  
button below to download the  
complete manual.



After you pay.

You can download the most  
perfect and complete manual in  
the world immediately.

Our support email:

[ebooklibonline@outlook.com](mailto:ebooklibonline@outlook.com)