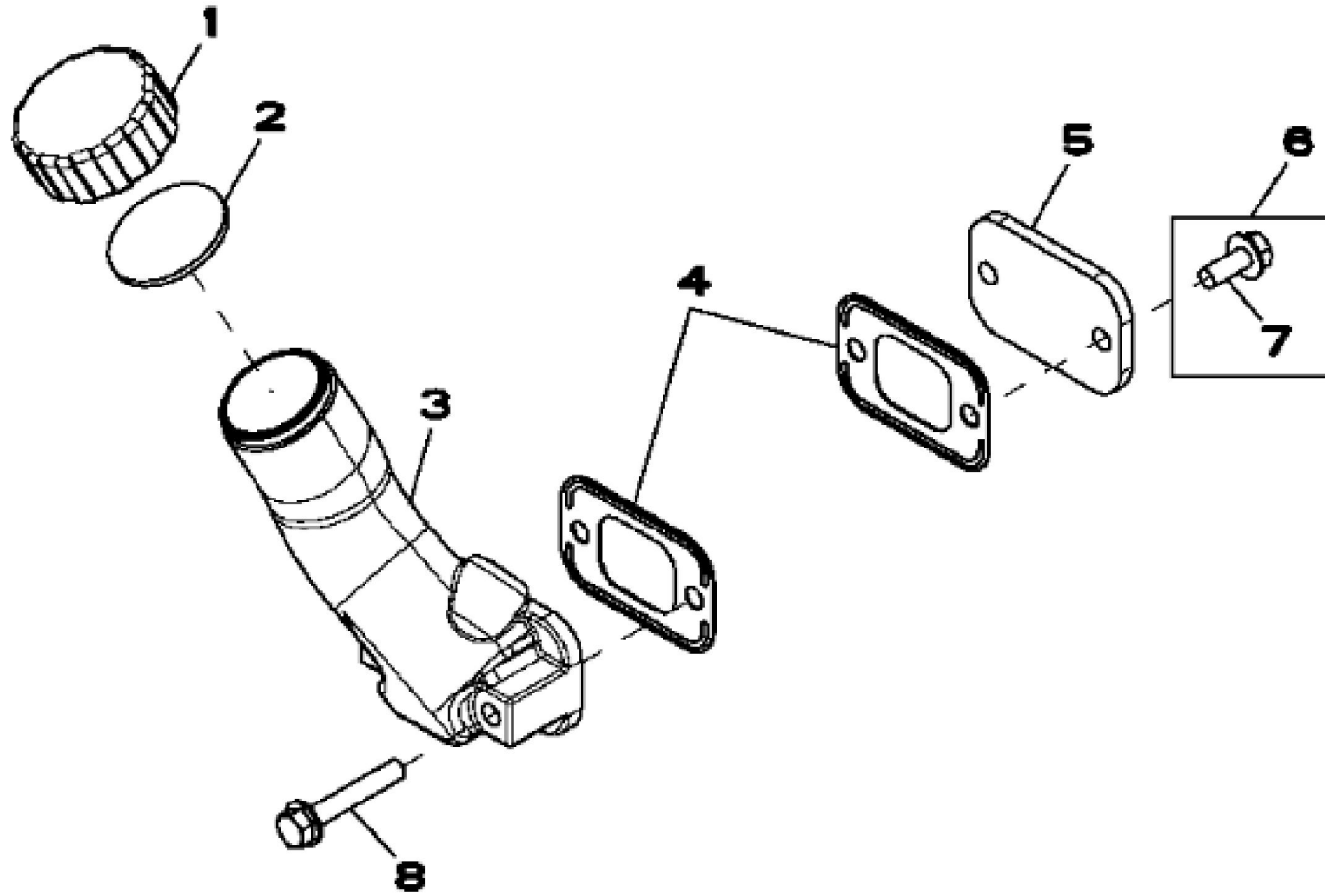


John Deere > Construction And Forestry >BACKHOE, LOADER >310L - BACKHOE, LOADER >310L Backhoe Loader (Engine 4045HT085, 4045HT086, 4045TT096)(PIN: 1T0310LX\_\_C273920- )(PIN: 1T0310LX\_\_D273920- ) >04A ENGINE 4045HT085-RE566007 >0400A ENGINE 4045HT085-RE566007 4045HT085 >ST620182 - 1155 ROCKER ARM COVER

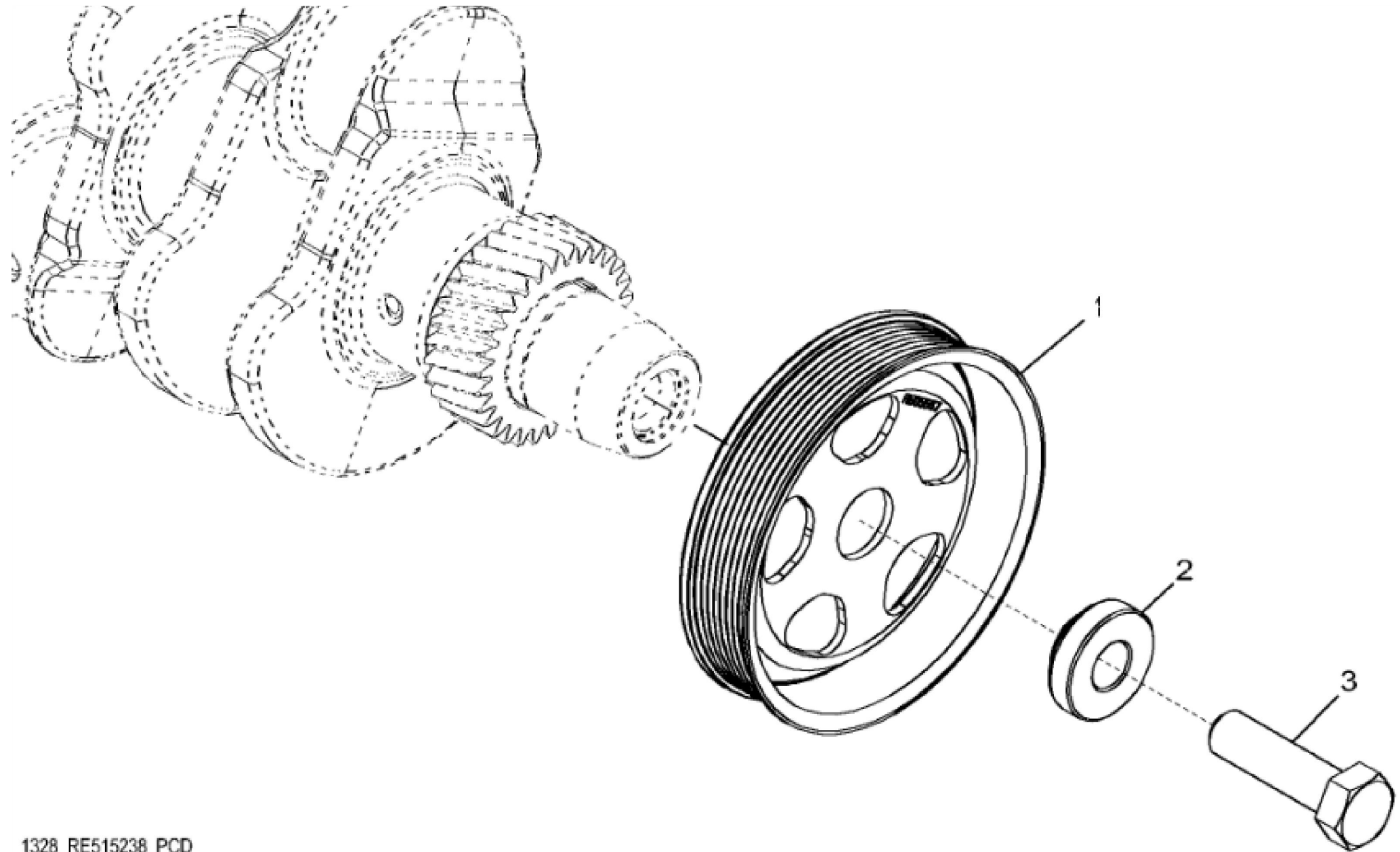
KEY	PART NO.	PART NAME	QTY	REMARKS	
1	H23125	PLUG	5		
2	R521390	SCREW	5	M8 X 12	
3	R123575	O-RING	5		
4	R522167	VALVE COVER	1		
5	R524499	GASKET	1	SUB FOR R505174	
6	R515555	DEFLECTOR	1		
7	19M7775	SCREW	2	M6 X 16	



RE515712PCDD02

John Deere > Construction And Forestry >BACKHOE, LOADER >310L - BACKHOE, LOADER >310L Backhoe Loader (Engine 4045HT085, 4045HT086, 4045TT096)(PIN: 1T0310LX\_ \_C273920- )(PIN: 1T0310LX\_ \_D273920- ) >04A ENGINE 4045HT085-RE566007 >0400A ENGINE 4045HT085-RE566007 4045HT085 >ST2266 - 1229 OIL FILLER NECK

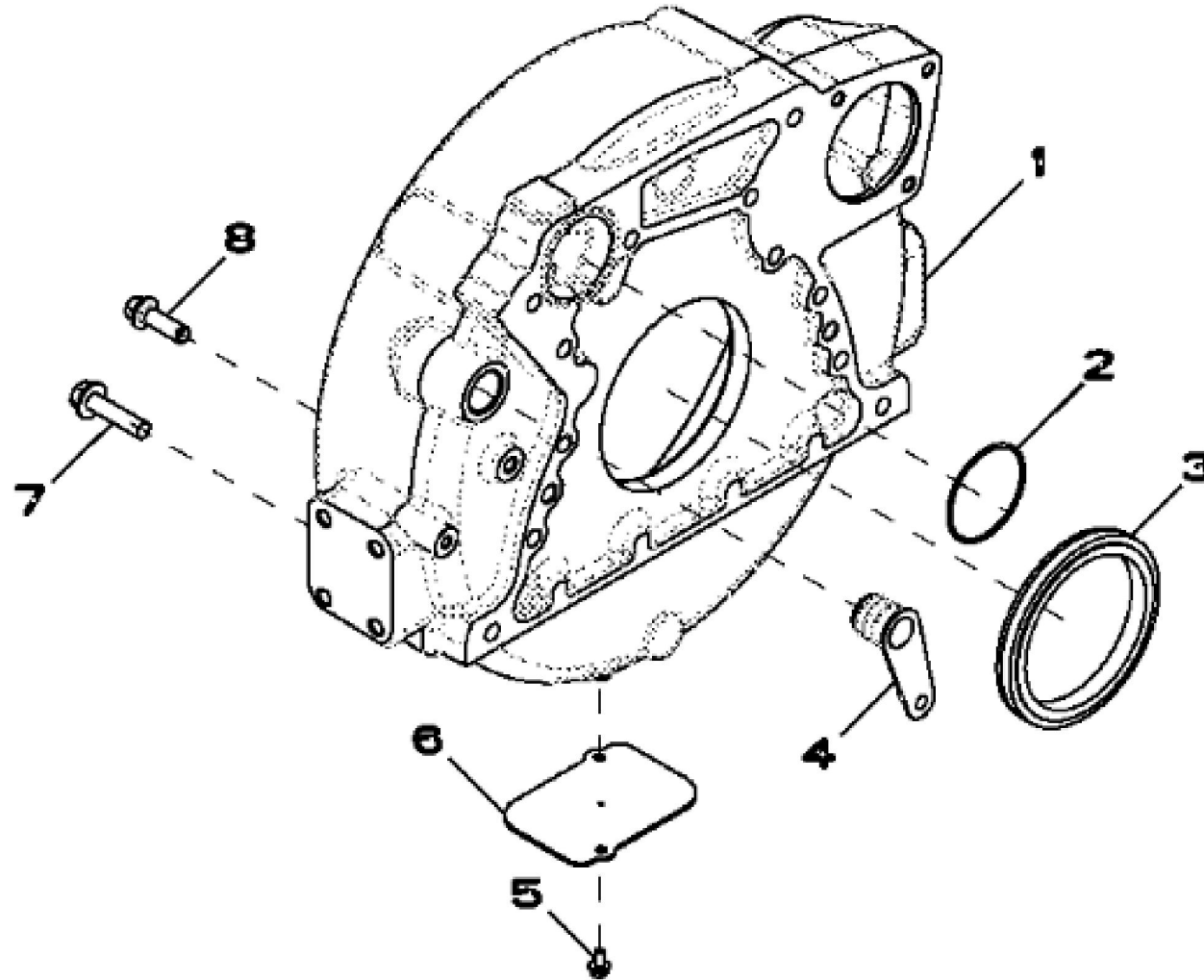
KEY	PART NO.	PART NAME	QTY	REMARKS
1	R80136	FILLER CAP	1	
2	R80135	GASKET	1	
3	R517353	FILLER NECK	1	(SUB FOR R123558)
4	R136495	GASKET	2	
5	R116296	COVER	1	
6	RE67238	SCREW	2	W PREAPPLIED SEALANT
7	19M7866	SCREW	1	M8 X 20
8	RE67240	SCREW	2	(USE WITH R123558)
8	19M7799	SCREW	2	M8 X 45, (USE WITH R517353)



1328\_RE515238\_PCD

John Deere > Construction And Forestry >BACKHOE, LOADER >310L - BACKHOE, LOADER >310L Backhoe Loader (Engine 4045HT085, 4045HT086, 4045TT096)(PIN: 1T0310LX\_\_C273920- )(PIN: 1T0310LX\_\_D273920- ) >04A ENGINE 4045HT085-RE566007 >0400A ENGINE 4045HT085-RE566007 4045HT085 >ST628039 - 1328 CRANKSHAFT PULLEY

KEY	PART NO.	PART NAME	QTY	REMARKS	
1	R505567	PULLEY	1	OD = 173 mm	
2	R515040	BUSHING	1	OD = 50 mm	
3	R516648	CAP SCREW	1	(One Time Usage) M20 X 70	



RE502001PCDE02

Thank you so much for reading.  
Please click the “Buy Now!”  
button below to download the  
complete manual.



After you pay.

You can download the most  
perfect and complete manual in  
the world immediately.

Our support email:

[ebooklibonline@outlook.com](mailto:ebooklibonline@outlook.com)