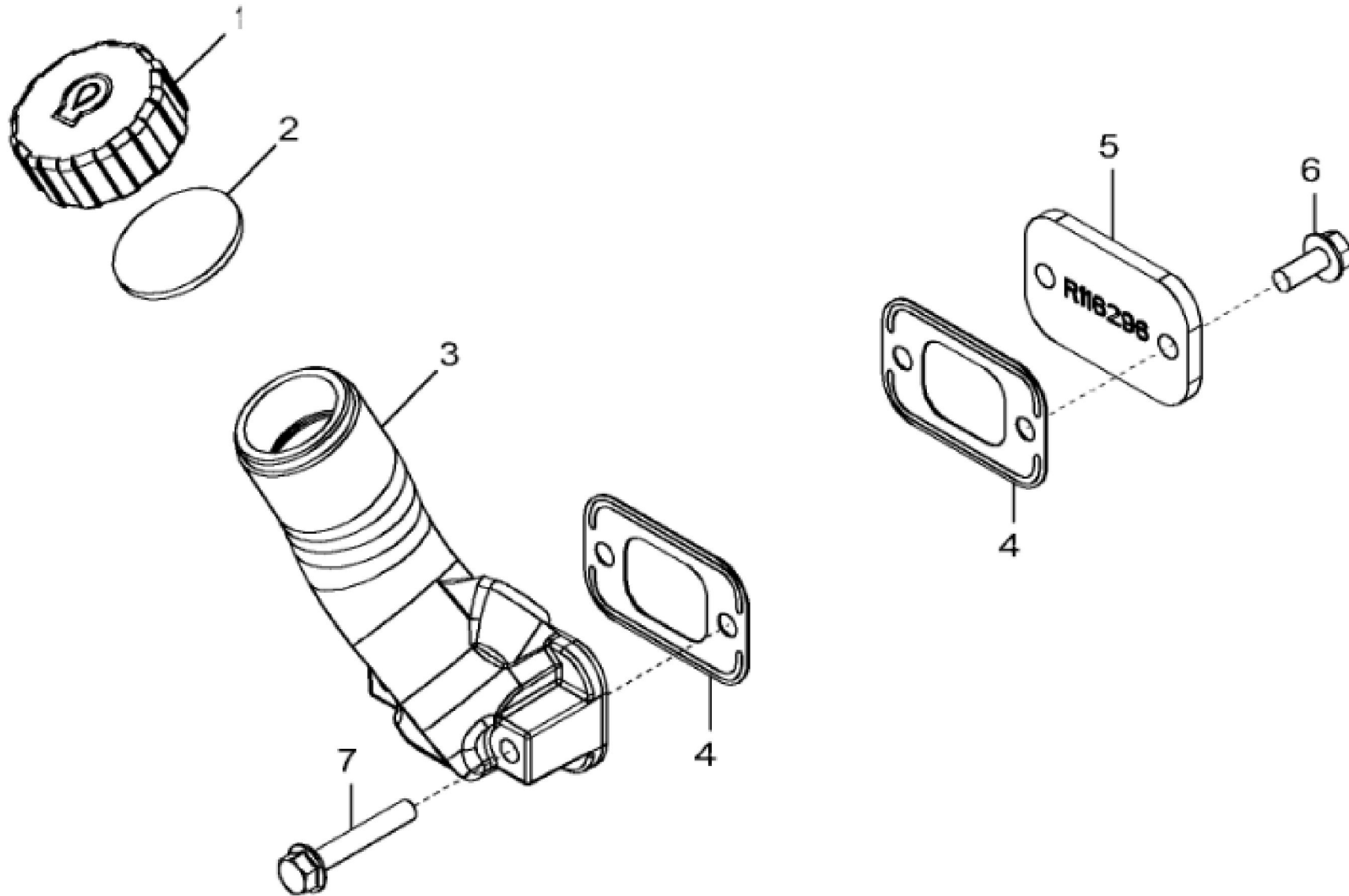


1118\_RE506218\_PCD

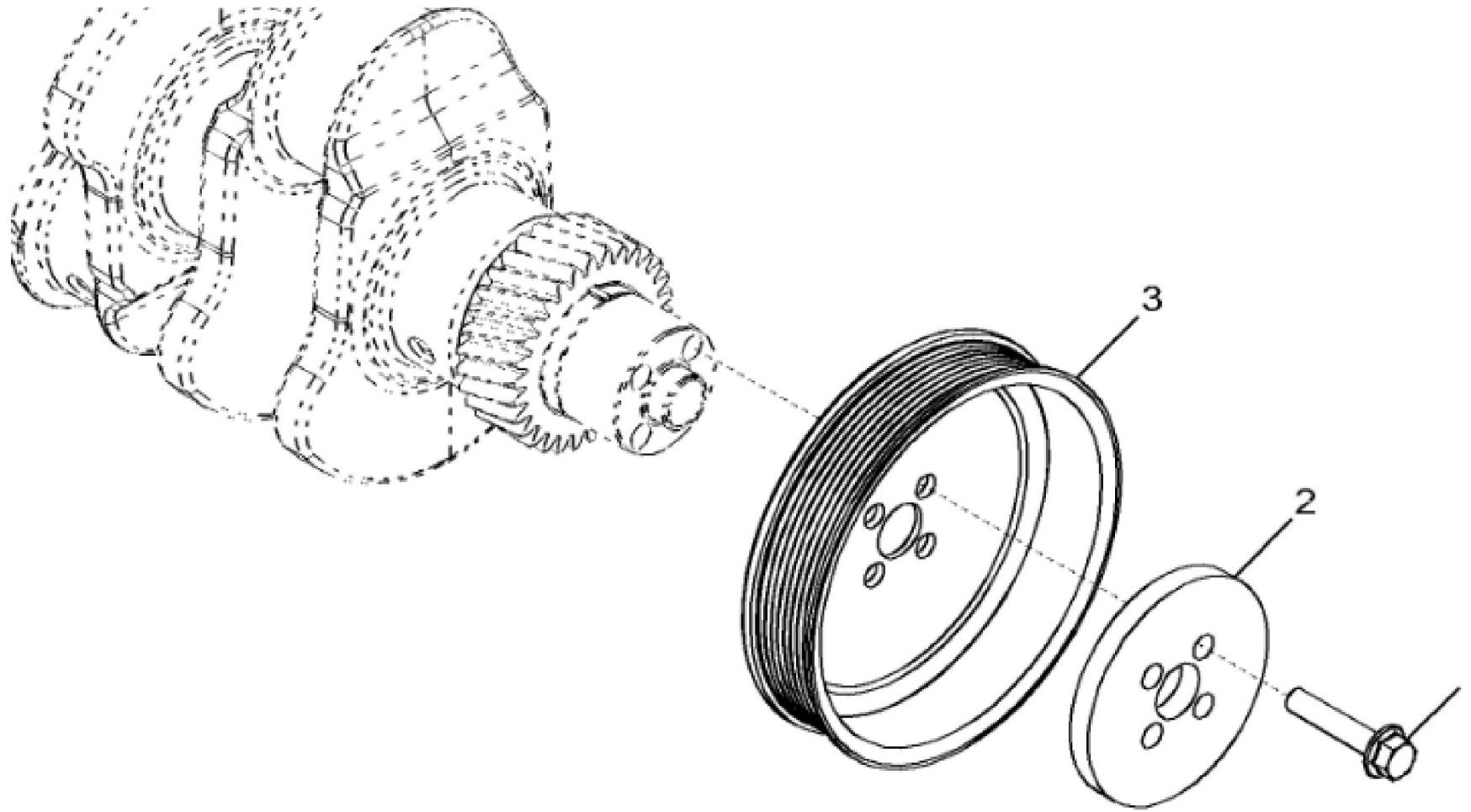
John Deere > Construction And Forestry >BACKHOE, LOADER >310L - BACKHOE, LOADER >310L Backhoe Loader (Engine 4045HBZ01, 4045TBZ01)(PIN: 1BZ310LA\_\_C000001- )(PIN: 1BZ310LA\_\_D000001- ) >04A ENGINE 4045HBZ01-DZ102402 >0400A ENGINE 4045HBZ01-DZ102402 4045HBZ01 >ST620527 - 1118 VALVE COVER

KEY	PART NO.	PART NAME	QTY	REMARKS	
1	H23125	PLUG	4		
2	R123574	NUT	4		
3	R123575	O-RING	4		
4	RE502969	VALVE COVER	1	MARKED R519779	
5	R524480	GASKET	1		



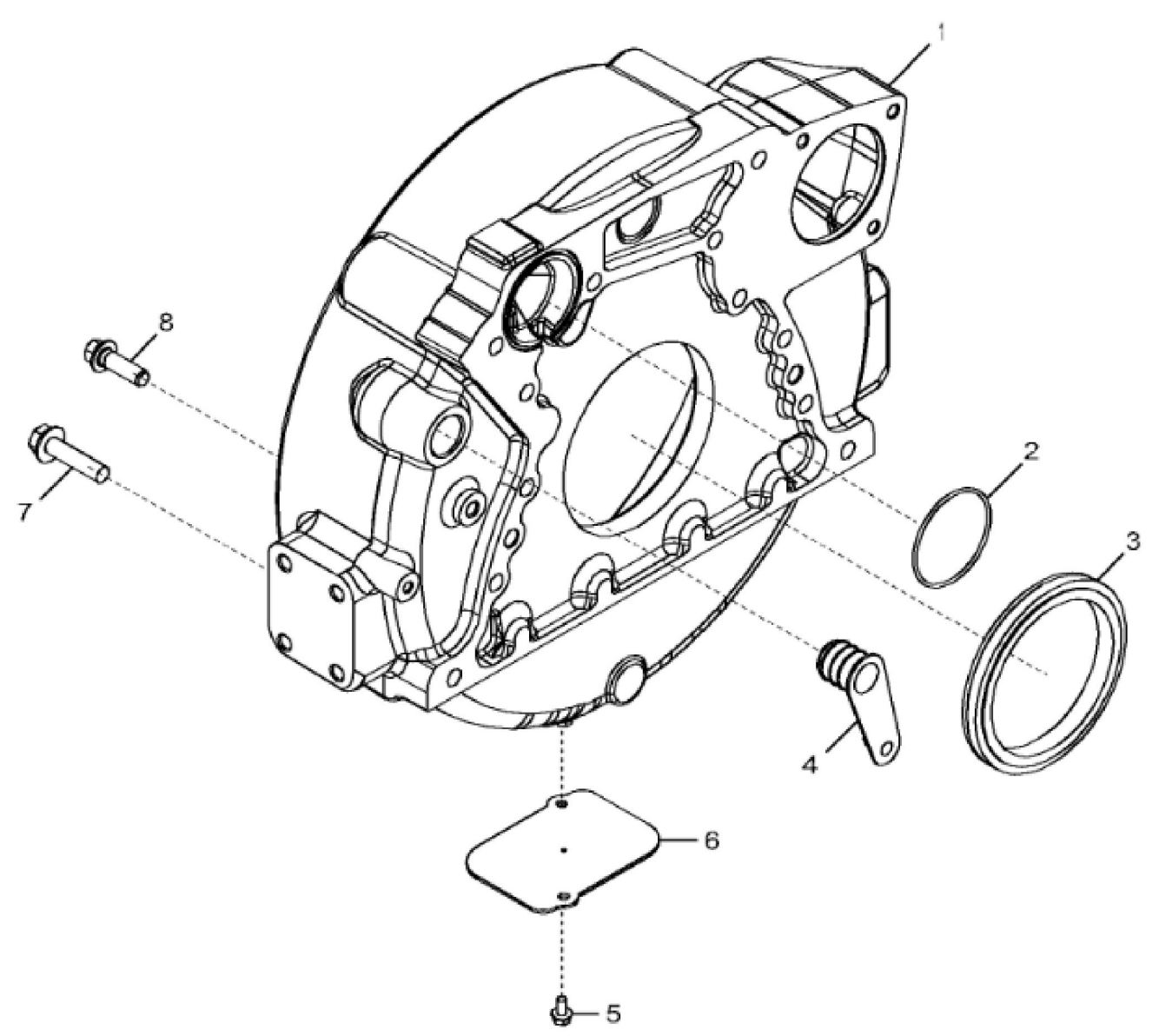
John Deere > Construction And Forestry >BACKHOE, LOADER >310L - BACKHOE, LOADER >310L Backhoe Loader (Engine 4045HBZ01, 4045TBZ01)(PIN: 1BZ310LA\_\_C000001- )(PIN: 1BZ310LA\_\_D000001- ) >04A ENGINE 4045HBZ01-DZ102402 >0400A ENGINE 4045HBZ01-DZ102402 4045HBZ01 >ST37695 - 1229 OIL FILLER NECK

KEY	PART NO.	PART NAME	QTY	REMARKS	
1	R80136	FILLER CAP	1		
2	R80135	GASKET	1		
3	R123558	FILLER NECK	1		
4	R136495	GASKET	2		
5	R116296	COVER	1	MARKED R116296	
6	RE67238	SCREW	2		
7	RE67240	SCREW	2		



John Deere > Construction And Forestry >BACKHOE, LOADER >310L - BACKHOE, LOADER >310L Backhoe Loader (Engine 4045HBZ01, 4045TBZ01)(PIN: 1BZ310LA\_\_C000001- )(PIN: 1BZ310LA\_\_D000001- ) >04A ENGINE 4045HBZ01-DZ102402 >0400A ENGINE 4045HBZ01-DZ102402 4045HBZ01 >ST351152 - 1302 CRANKSHAFT PULLEY

KEY	PART NO.	PART NAME	QTY	REMARKS	
1	R121897	BOLT	4		
2	R500649	WASHER	1		
3	R133295	PULLEY	1		



Thank you so much for reading.  
Please click the “Buy Now!”  
button below to download the  
complete manual.



After you pay.

You can download the most  
perfect and complete manual in  
the world immediately.

Our support email:

[ebooklibonline@outlook.com](mailto:ebooklibonline@outlook.com)