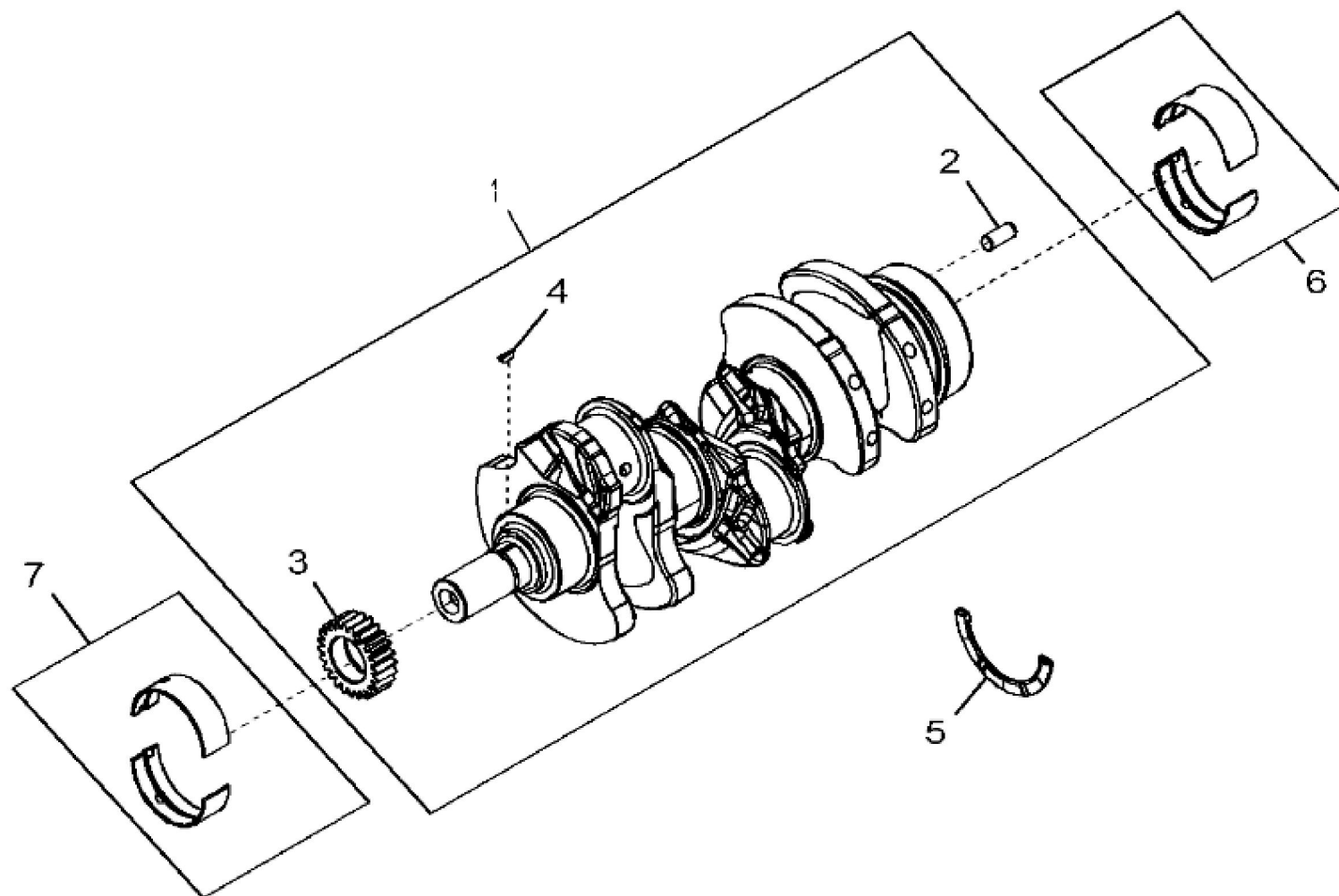


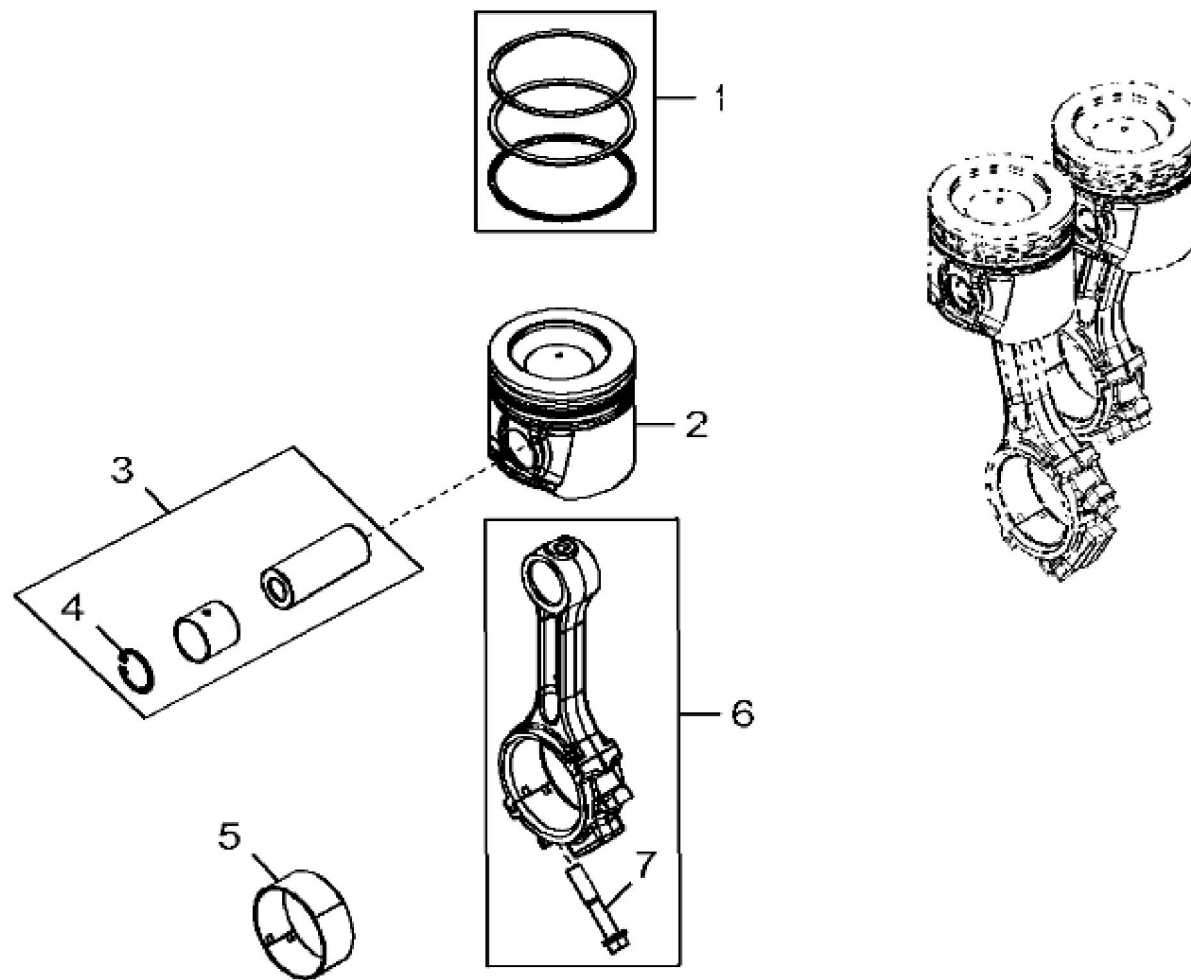
KEY	PART NO.	PART NAME	QTY	REMARKS
1	CYLINDER BLOCK	1	MARKED R534107; ORDER DZ101388
1	DZ101388	SHORT BLOCK ASSEMBLY	1	
2	T20168	WASHER	8	
3	R528387	CAP SCREW	8	
4	T23435	THREADED NIPPLE	1	
5	R26493	BUSHING	1	
6	R119874	BUSHING	1	
7	15H275	PIPE PLUG	2	1/4"
8	R54802	ORIFICE	3	
9	RE564870	PISTON-LINER KIT	3	INCLUDES RE562923
10	RE525162	O-RING KIT	3	
11	RE572069	CAMSHAFT	1	
12	26H72	SHAFT KEY	1	1/8" X 5/8"
13	15H695	PIPE PLUG	1	3/8"
14	A120R	DOWEL PIN	4	
15	15H653	PIPE PLUG	1	1"
16	T18891	PLUG	2	
17	RE71255	PIPE PLUG	1	
18	R97185	O-RING	1	
19	D2361R	BALL	1	
20	B153R	DOWEL PIN	2	
21	R121043	VALVE	1	
22	R111137	SPRING	1	
23	R534150	PLATE	1	
24	19M8999	SCREW	2	M8 X 25
25	RE562923	PIN KIT	3	(Not Illustrated)



4726_RE551667_PCD

John Deere > Turf And Utility >TRACTOR >3029HPY62 - TRACTOR >5055E Tractor (Final Tier 4)(9X3 TSS Transmission and 12X12 PR Transmission)(North America Edition) >20 ENGINE 3029HPY61-RE571749 >ST760809 - 4726 CRANKSHAFT AND BEARINGS

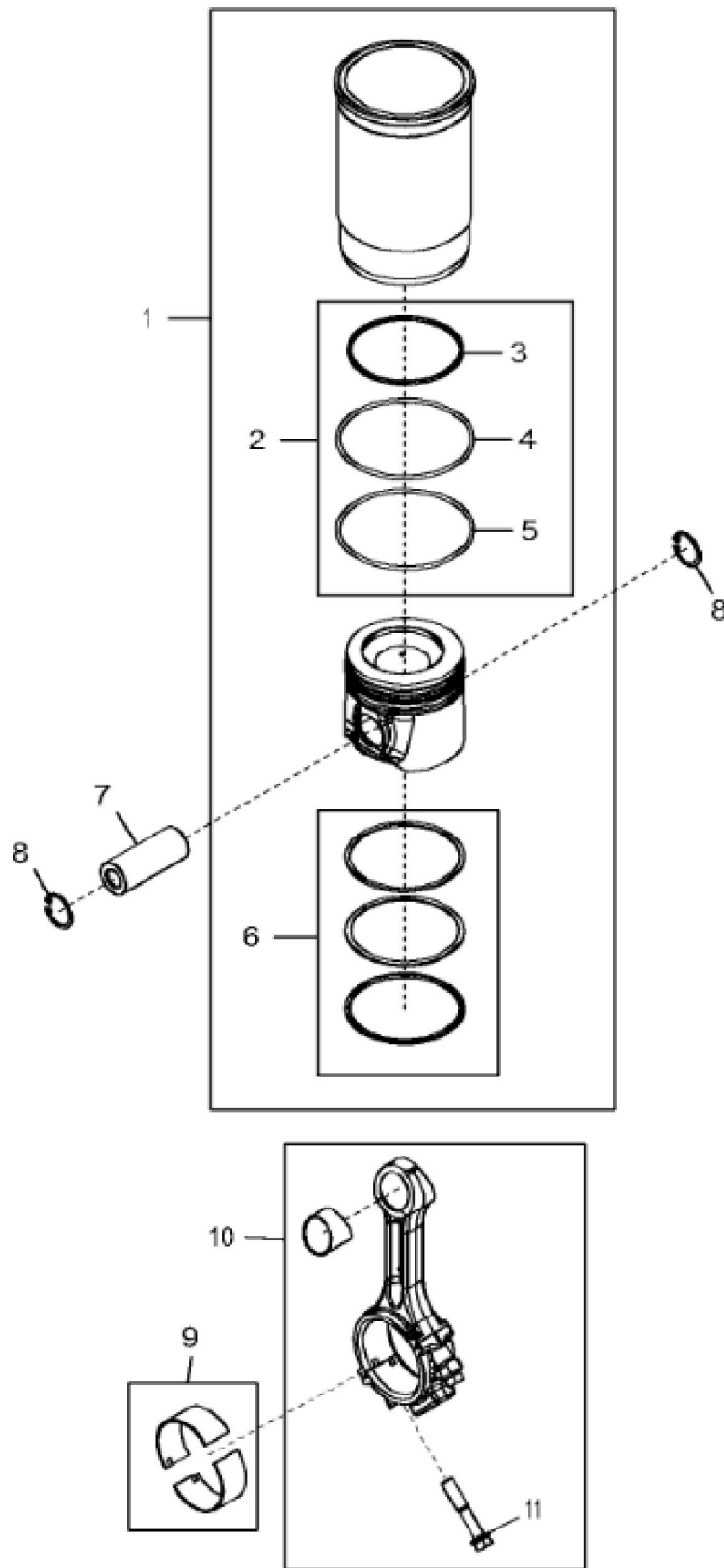
KEY	PART NO.	PART NAME	QTY	REMARKS
1	RE558743	CRANKSHAFT	1	SUB FOR RE565459 OR DZ101387 OR DZ10463
1	RE565459	CRANKSHAFT	1	(Only For 5M FT4 Engines) (Not Illustrated) KIT
1	DZ101387	CRANKSHAFT	1	(Only For 5E and OEM FT4 Engines) (Not Illustrated) KIT
1	DZ10463	CRANKSHAFT	1	(Only For Non FT4 3029 Engines) (Not Illustrated) KIT
2	A120R	DOWEL PIN	1	
3	R538912	GEAR	1	Z = 24, MARKED R542963
4	26H72	SHAFT KEY	1	1/8" X 5/8"
5	R516362	THRUST WASHER	3	
6	RE57279	BEARING KIT	1	KIT R121413
7	AT21140	BEARING	3	KIT T23214



4863_RE551668_PCD

John Deere > Turf And Utility > TRACTOR > 3029HPY62 - TRACTOR > 5055E Tractor (Final Tier 4)(9X3 TSS Transmission and 12X12 PR Transmission)(North America Edition) > 20 ENGINE 3029HPY61-RE571749 > ST896602 - 4863 CONNECTING ROD AND PISTON (- XXXXXX)

KEY	PART NO.	PART NAME	QTY	REMARKS	
1	RE521814	PISTON RING KIT	3	SUB FOR RE564869	
2	RE564870	PISTON-LINER KIT	3		
3	RE562923	PIN KIT	1		
4	40M1856	SNAP RING	6		
5	RE27348	BEARING KIT	6		
6	RE507799	CONNECTING ROD	3		
7	R80033	CAP SCREW	2	SUB FOR R516517	



Thank you so much for reading.
Please click the “Buy Now!”
button below to download the
complete manual.



After you pay.

You can download the most
perfect and complete manual in
the world immediately.

Our support email:

ebooklibonline@outlook.com