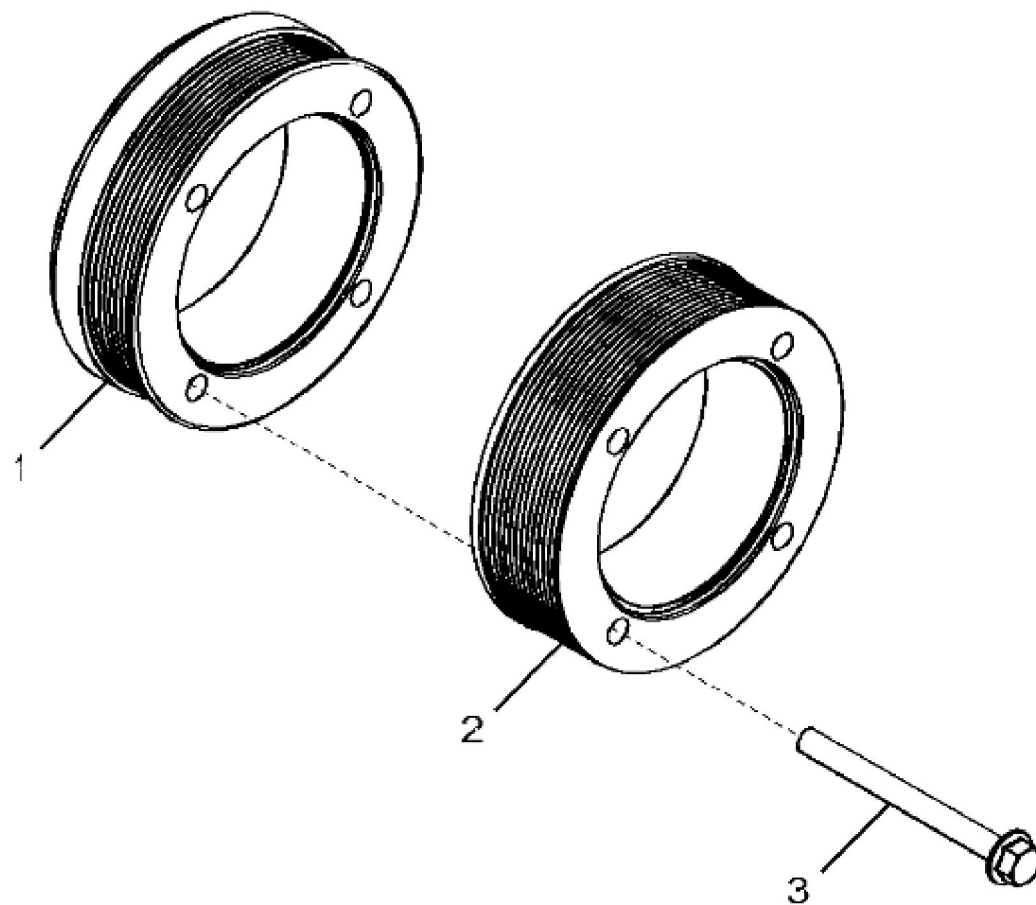
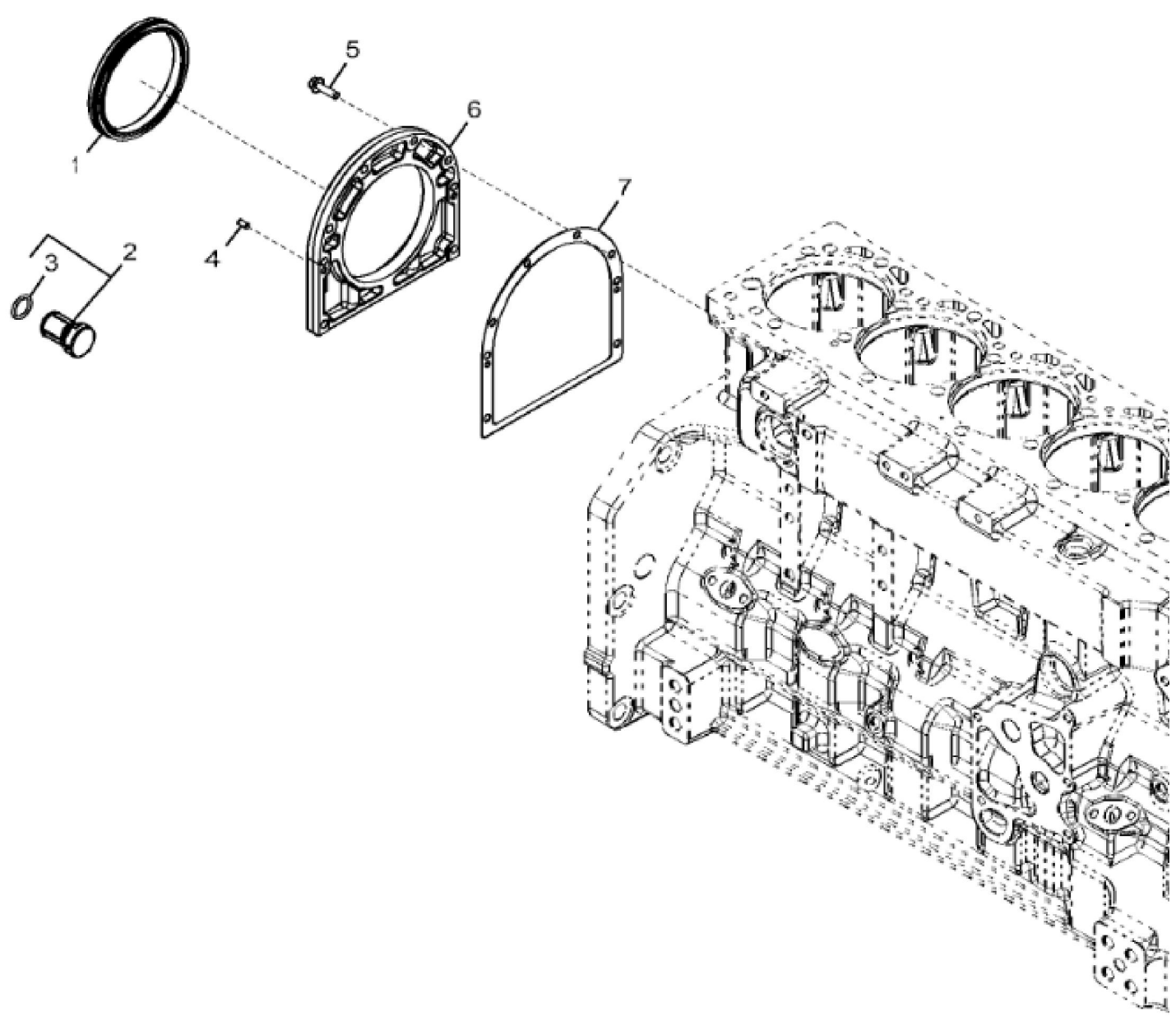


KEY	PART NO.	PART NAME	QTY	REMARKS	
1	19M8039	SCREW	3	M8 X 80	
2	RE547702	SEALING WASHER	3	SUB FOR R524374	
2	RE547702	SEALING WASHER	3		
3	RE71265	ISOLATOR	3		
4	R523531	VALVE COVER	1	SUB FOR R524450	
5	R501292	GROMMET	2	SUB FOR R127451	
6	R116713	NEEDLE ROLLER	2		
7	R521520	GASKET	1	SUB FOR R502124	
8	RE532491	PANEL	1		
9	RE527858	SCREW	4		

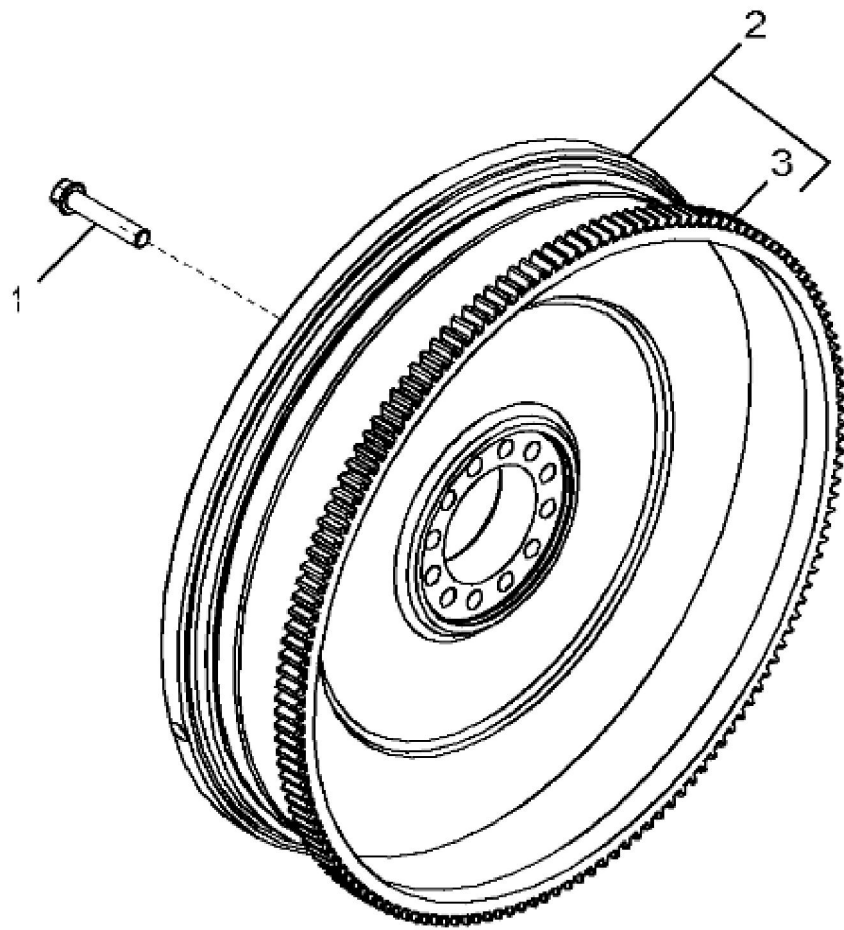


1353\_RE548210\_PCD

KEY	PART NO.	PART NAME	QTY	REMARKS	
1	R533628	PULLEY	1		
2	R533656	PULLEY	1		
3	19M7838	SCREW	4	M12 X 130	



KEY	PART NO.	PART NAME	QTY	REMARKS	
1	RE535552	SEAL	1		
2	AR61533	PLUG	1		
3	R27149	O-RING	1		
4	F1743R	DOWEL PIN	2		
5	19M7868	SCREW	8	M8 X 30	
6	DZ100355	HOUSING	1	MARKED DZ100356 OR DZ100355; SUB FOR R529914	
7	R530027	GASKET	1		



1518\_RG25655\_PCD

Thank you so much for reading.  
Please click the “Buy Now!”  
button below to download the  
complete manual.



After you pay.

You can download the most  
perfect and complete manual in  
the world immediately.

Our support email:

[ebooklibonline@outlook.com](mailto:ebooklibonline@outlook.com)