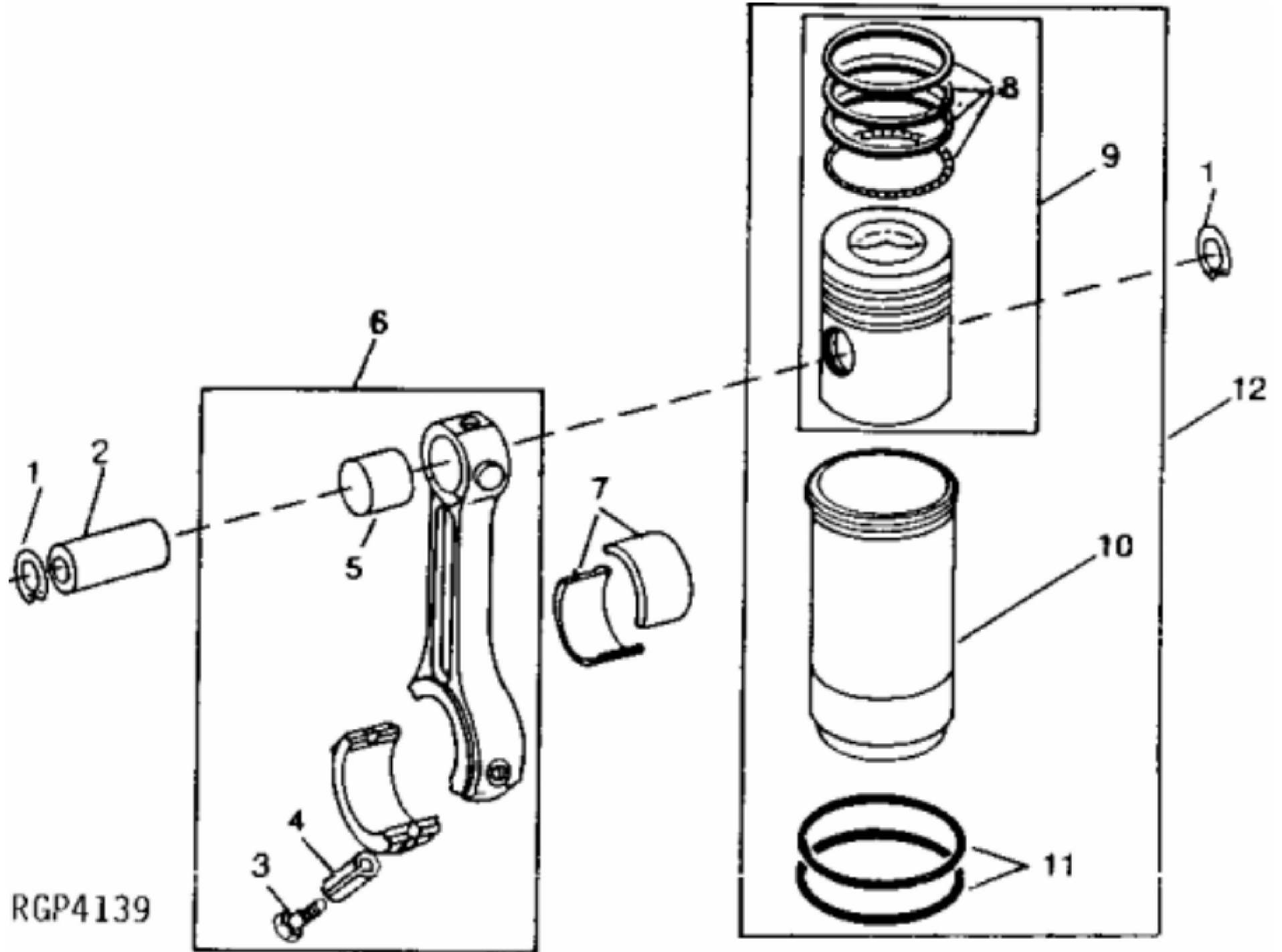


RGF2863

John Deere > Construction And Forestry > BACKHOE, LOADER >500C - BACKHOE, LOADER >500C Backhoe Loader >10 ENGINE >10-12 - CYLINDER/SHORT BLOCK, MAIN BEARING CAPS, DIPSTICK AND ENGINE OVERHAUL KIT - CONTINUED [01B14]

KEY	PART NO.	PART NAME	QTY	Engine Serial No.	REMARKS
30	R520618	GASKET	1		(SUB FOR R97350, R27285)
31	R27286	COVER	NA		
32	12H303	LOCK WASHER	2		5/16"
33	14H785	NUT	2		5/16"
34	R46192	GASKET	1		(DIESEL) (SUB FOR R26826)
35	R26825	COVER	1		(DIESEL)
36	12H304	LOCK WASHER	2		3/8", (DIESEL)
37	19H2284	CAP SCREW	2		3/8" X 7/8", (DIESEL)
38	34H366	SPRING PIN	2		1/2" X 1"
38	AT85174	SWITCH	1		(SUB FOR AR27977)
39	AR27977	PRESSURE SWITCH	1		
40	R53014	FITTING	1		
..	AR53307	SHORT BLOCK ASSEMBLY	1		(GAS) (NLA, ORDER INDIVIDUAL PARTS) (MARKED R26150, R33190, R40840 OR R49540) (SUB FOR AR34376 OR AR47357)
..	AR53308	SHORT BLOCK ASSEMBLY	1		(GAS & LP) (NLA) (SUB FOR AR34377 OR AR47358)
..	AR44063	SHORT BLOCK ASSEMBLY	1		(GAS) (SUB AR53303) (NLA)
..	AR53302	SHORT BLOCK ASSEMBLY	1		(GAS & LP) (MARKED R49510) (NLA)
..	AR44065	SHORT BLOCK ASSEMBLY	1		(DIESEL) (SUB AR94819) (ALSO ORDER (8) R79188)
..	AR52231	SHORT BLOCK ASSEMBLY	1		(DIESEL) (MARKED R48430) (SUB AR94819) (ALSO ORDER (8) R79188)
..	AR48623	SHORT BLOCK ASSEMBLY	1		(B) (DIESEL) (MARKED R32020, R40850, R46350 OR R46430) (SUB FOR AR34378 OR AR47359) (SUB SE500926, AR26428, AR48629, AR49143, AR53033 AND SE500891)
..	AR54703	SHORT BLOCK ASSEMBLY	1	____-307836	(MARKED R50610) (SUB AR94819) (ALSO ORDER R54123 AND U13639)
..	AR94819	SHORT BLOCK ASSEMBLY	1	307837-____	(DIESEL) (MARKED R40700, R48430 OR R72127) (SUB FOR AR44065, AR52231 OR AR54703) (SUB RG23362)
..	RG23361	SHORT BLOCK ASSEMBLY	1		(DIESEL) (EARLY ENGINES) (REMANUFACTURED)
..	RG23362	SHORT BLOCK ASSEMBLY	1		(DIESEL) (LATE ENGINES) (REMANUFACTURED)
..	RG23431	ENGINE OVERHAUL KIT	1	____-123113	(A) (DIESEL) (ALSO ORDER R66452 ROD BOLTS) (USE WITH R26160, R32020 OR R40850) (SUB FOR RG17899)

KEY	PART NO.	PART NAME	QTY	Engine Serial No.	REMARKS
..	RG23432	ENGINE OVERHAUL KIT	1	123114-____	(A) (DIESEL) (ALSO ORDER R66452 ROD BOLTS) (USE WITH R40700, R47520, R48430, R50610 OR R72127) (SUB FOR RG17900)
..	RG34080	ENGINE OVERHAUL KIT	1		(D) (DIESEL) (D) (IN FRAME) (ALSO ORDER R66452 ROD BOLTS) (3010 OR 3020*) (USE WITH R26160, R32020 AND R40850)
..	RG34081	ENGINE OVERHAUL KIT	1		(D) (DIESEL) (D) (IN FRAME) (ALSO ORDER R66452 ROD BOLTS) (3020&) (USE WITH R40700, R47520, R48430 AND R50610)
..	SE500605	SHORT BLOCK ASSEMBLY	1		(REMAN FOR RG23362)
..	SE500621	SHORT BLOCK ASSEMBLY	1	____-307836	(REMAN FOR RG23361)
..	SE500622	SHORT BLOCK ASSEMBLY	1	123114-____	(REMAN FOR RG23361)

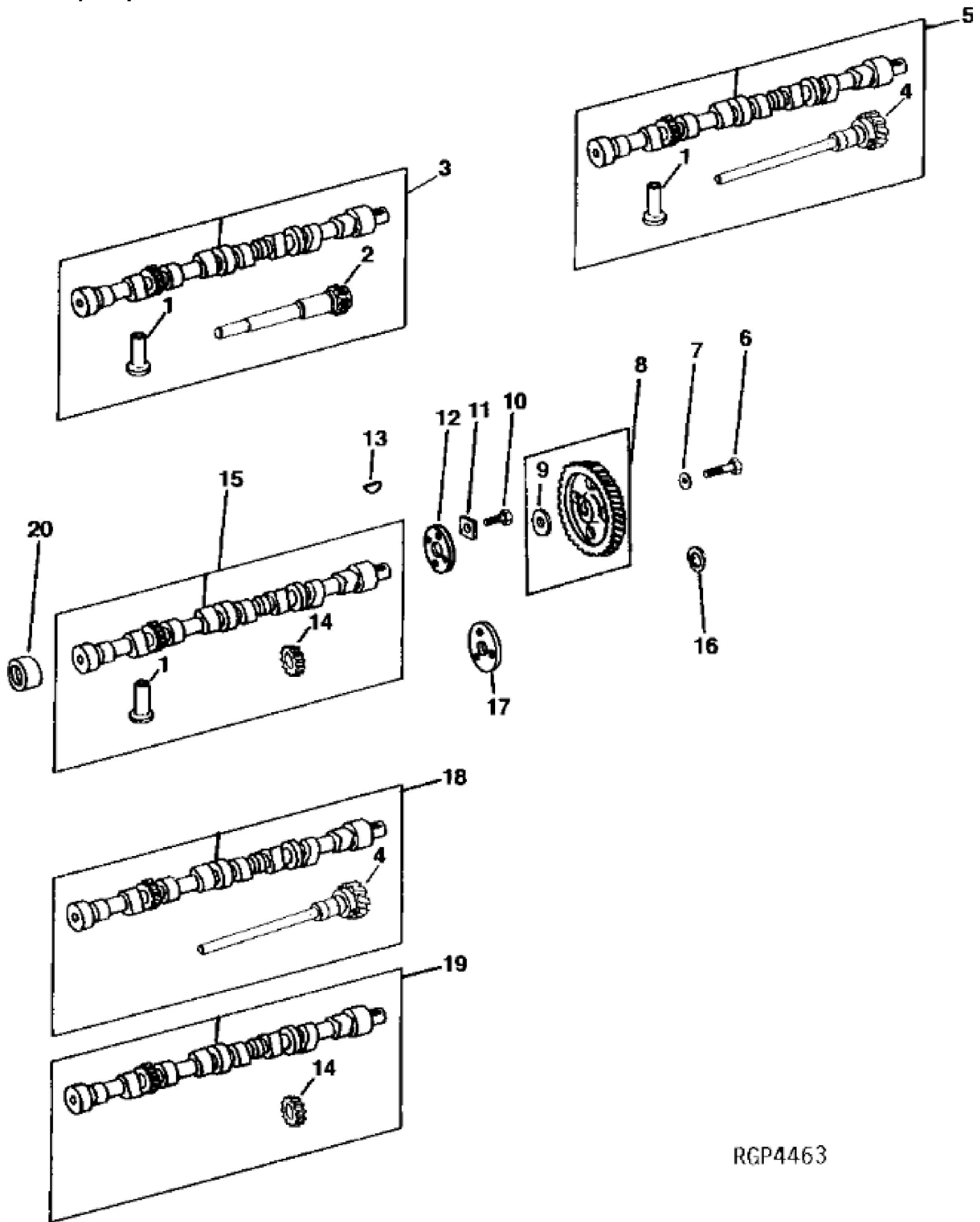


RGP4139

[01B16]

KEY	PART NO.	PART NAME	QTY	REMARKS
1	R26093	SNAP RING	8	
2	R44161	PISTON PIN	4	STD, (SUB FOR R26092)
2	R44162	PISTON PIN	4	0.08MM (.003") OS (YELLOW) (SUB FOR R28972)
2	R44163	PISTON PIN	4	0.13MM (.005") OS (RED) (SUB FOR R28973)
3	R66452	CAP SCREW	8	(SUB FOR R26325 OR R53290)
4	R53292	SLEEVE	8	
5	R30939	BUSHING	4	
6	AR86981	CONNECTING ROD	4	(MARKED R26047, R53285 OR R58880 OR R66923) (SUB FOR AR26328, AR59419 OR AR70910)
6	SE500081	CONNECTING ROD	4	(REMANUFACTURED)
7	AR45723	BEARING	4	STD (PKG (2) R26087 OR R44378) (SUB FOR AR27628)
7	AR46395	BEARING	4	0.05MM (.002") US (PKG (2) R28226 OR R44925) (SUB FOR AR27629)
7	AR46396	BEARING	4	0.25MM (.010") US (PKG (2) R44926)
7	AR46397	BEARING	4	0.51MM (.020") US (PKG (2) R28228 OR R44927) (SUB FOR AR27640)
7	AR46398	BEARING	4	0.76MM (.030") US (PKG (2) R28230 OR R44928) (SUB FOR AR27642)
8	AR27852	PISTON RING KIT	4	(USE WITH PISTON R26091) (5 RING)
8	AR39860	PISTON RING KIT	4	(USE WITH PISTON R39927) (4 RING)
8	AR40145	PISTON RING KIT	4	(4 RING) (USE WITH R32073) (SUB FOR AR33995)
8	AR55630	PISTON RING KIT	4	(3 RING) (USE WITH AR46265, AR51799, RE23172, AR48743 OR RE40566) (SUB FOR AR41563 AND AR54732)
9	AR63284	PISTON	4	(NLA) (MARKED AR41564, AR48743 OR AR51799) (SUB FOR AR41562, AR48742 OR AR51800) (SUB RE23165)
10	R32050	CYLINDER LINER	4	108MM (4-1/4") BORE, (USE WITH R26160) (SUB FOR AR32195) (SUB RE23173) (ALSO ORDER AR40155)
11	AR40155	O-RING KIT	4	(USE WITH R26160, R32020, R72127 OR R40850)
11	AR70645	O-RING KIT	4	(USE WITH R40910, R40700, R40920, R46350, R46430, R48430, R50610, R49540) (SUB FOR AR48687)
12	AR68650	KIT	4	(SUB RE23165) (MARKED AR51799)
12	RE23173	KIT	4	(MARKED RE23172 OR RE40566) (USE WITH R40850, R26160 AND R32020) (SUB FOR AR49052)

KEY	PART NO.	PART NAME	QTY	REMARKS
12	RE23170	KIT	4	(MARKED RE23172 OR RE40566) (USE WITH R40910, R46350 OR R46430) (SUB FOR AR40615, R41562, AR68650, AR83122 AND AR84048) (ALSO ORDER AR70645)
12	RE23165	KIT	4	(BLOCK MARKED R40700, R48430, R50610, R47520 OR R72127) (SUB FOR AR68650 OR AR63284) (MARKED RE40563, AR46265, AR51799, AR48743, RE23168 OR RE40564)
..	AR31744	SHIM	AR	0.10 MM (.004") (USE WITH R26160)
..	AR31745	SHIM	AR	0.76 MM (.030") (USE WITH R26160)
..	AR39521	SHIM	AR	0.38 MM (.015") (USE WITH R26160)



RGP4463

Thank you so much for reading.
Please click the “Buy Now!”
button below to download the
complete manual.



After you pay.

You can download the most
perfect and complete manual in
the world immediately.

Our support email:

ebooklibonline@outlook.com