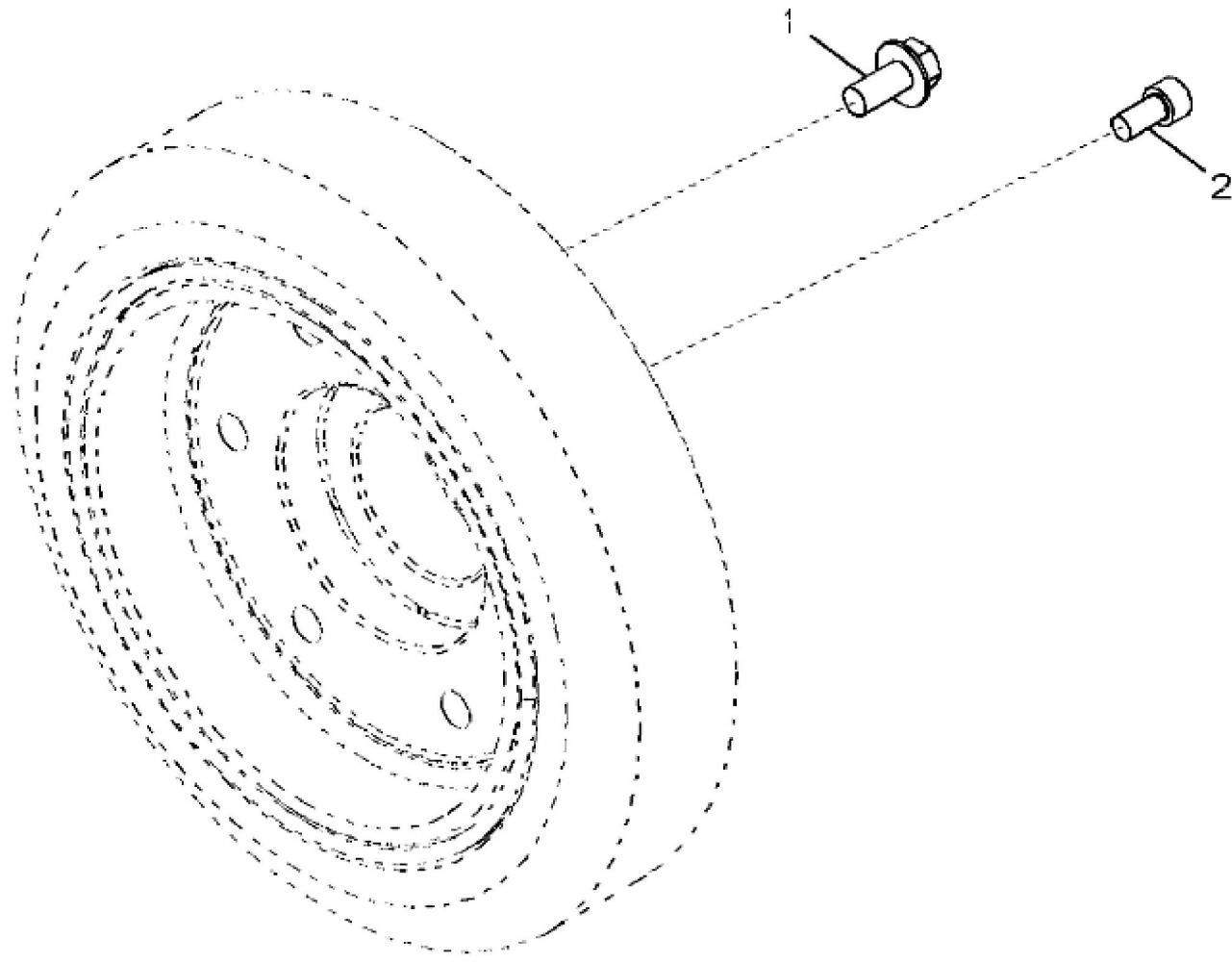
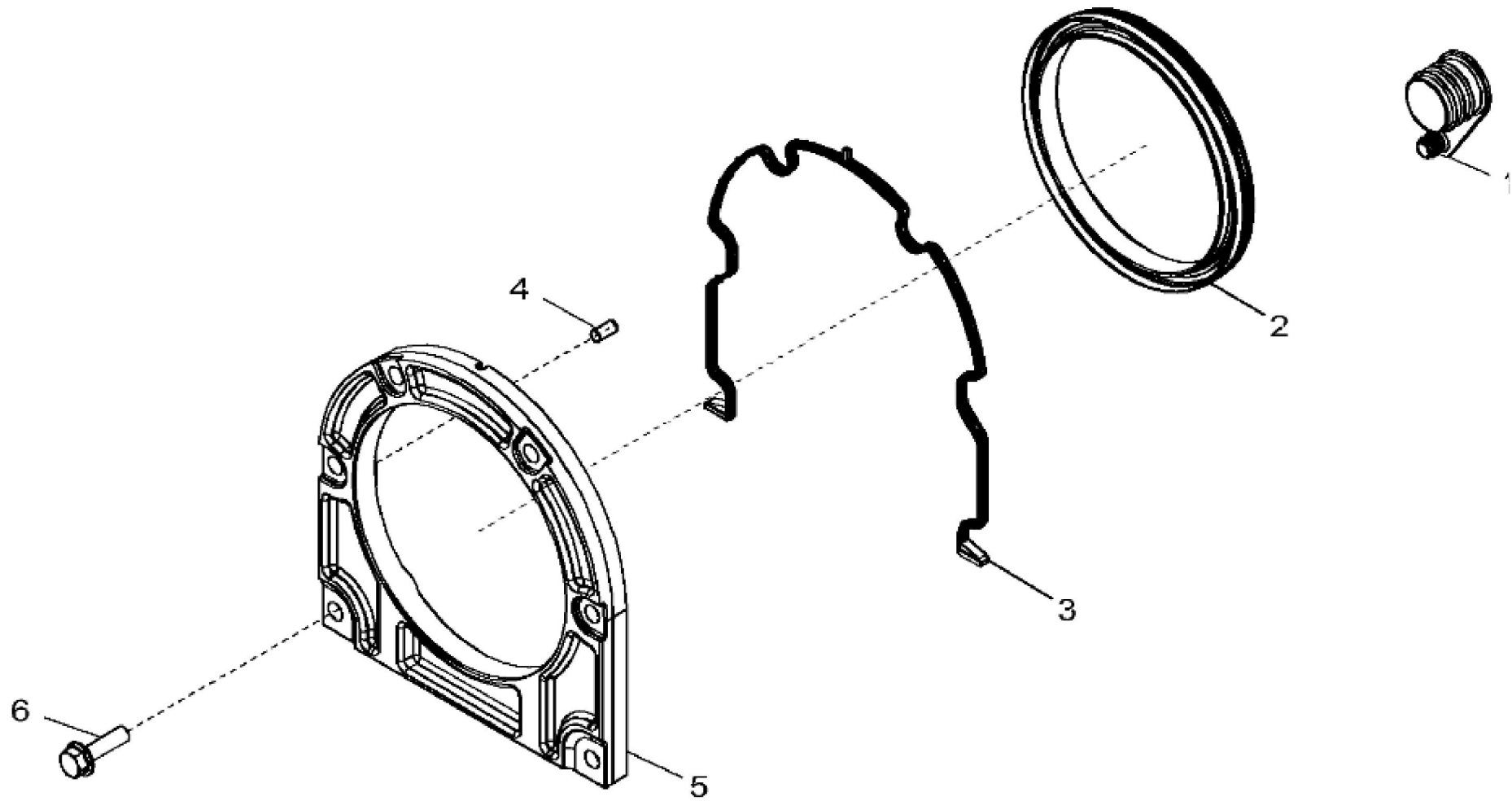


KEY	PART NO.	PART NAME	QTY	REMARKS	
1	19M8291	SCREW	15	M8 X 35	
2	RE552592	COVER	1	ORDER RE563766	
2	RE563766	COVER	1	MARKED R535844	
3	R526607	SEAL	1		
4	R530844	DEFLECTOR	1		
5	19M7775	SCREW	2	M6 X 16	
6	19M7796	SCREW	1	M6 X 30	



1398_RE558936_PCD

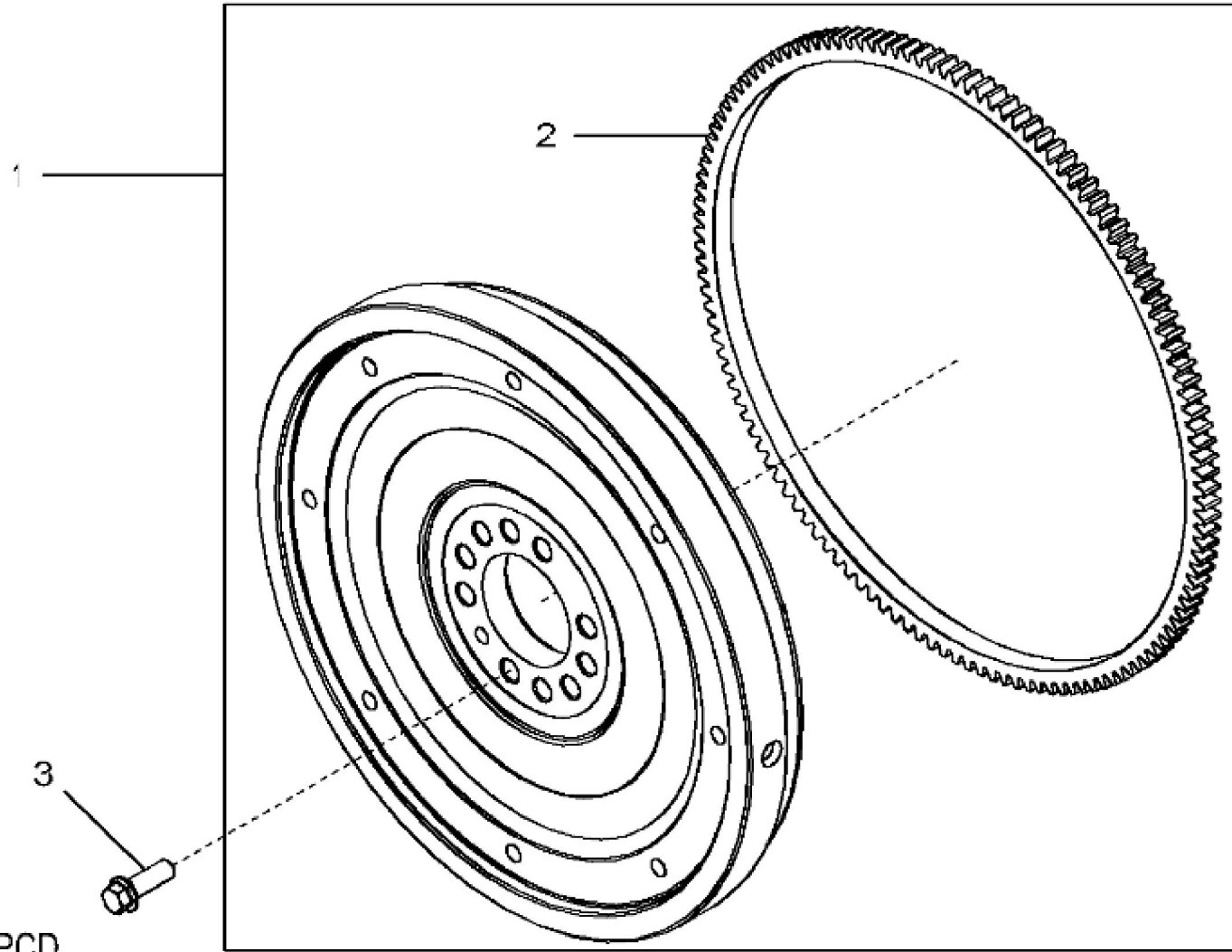
KEY	PART NO.	PART NAME	QTY	REMARKS	
1	19M7788	SCREW	6	M12 X 25	
2	19M9200	SCREW	6	M10 X 20	



1496_RE538659_PCD

John Deere > Agriculture >TRACTOR >8400R - TRACTOR >8400R Tractor (S.N. 115000-)(Worldwide Edition) >10 ENGINE 6090RW482-DZ102186 >ST122156 - 1496 CRANKSHAFT OIL SEAL AND HOUSING

KEY	PART NO.	PART NAME	QTY	REMARKS	
1	R121929	PLUG	1		
2	RE535552	SEAL	1		
3	R527660	GASKET	1		
4	F1743R	DOWEL PIN	2		
5	R526588	HOUSING	1		
6	19M7868	SCREW	6	M8 X 30	



1546_RE533328_PCD

Thank you so much for reading.
Please click the “Buy Now!”
button below to download the
complete manual.



After you pay.

You can download the most
perfect and complete manual in
the world immediately.

Our support email:

ebooklibonline@outlook.com