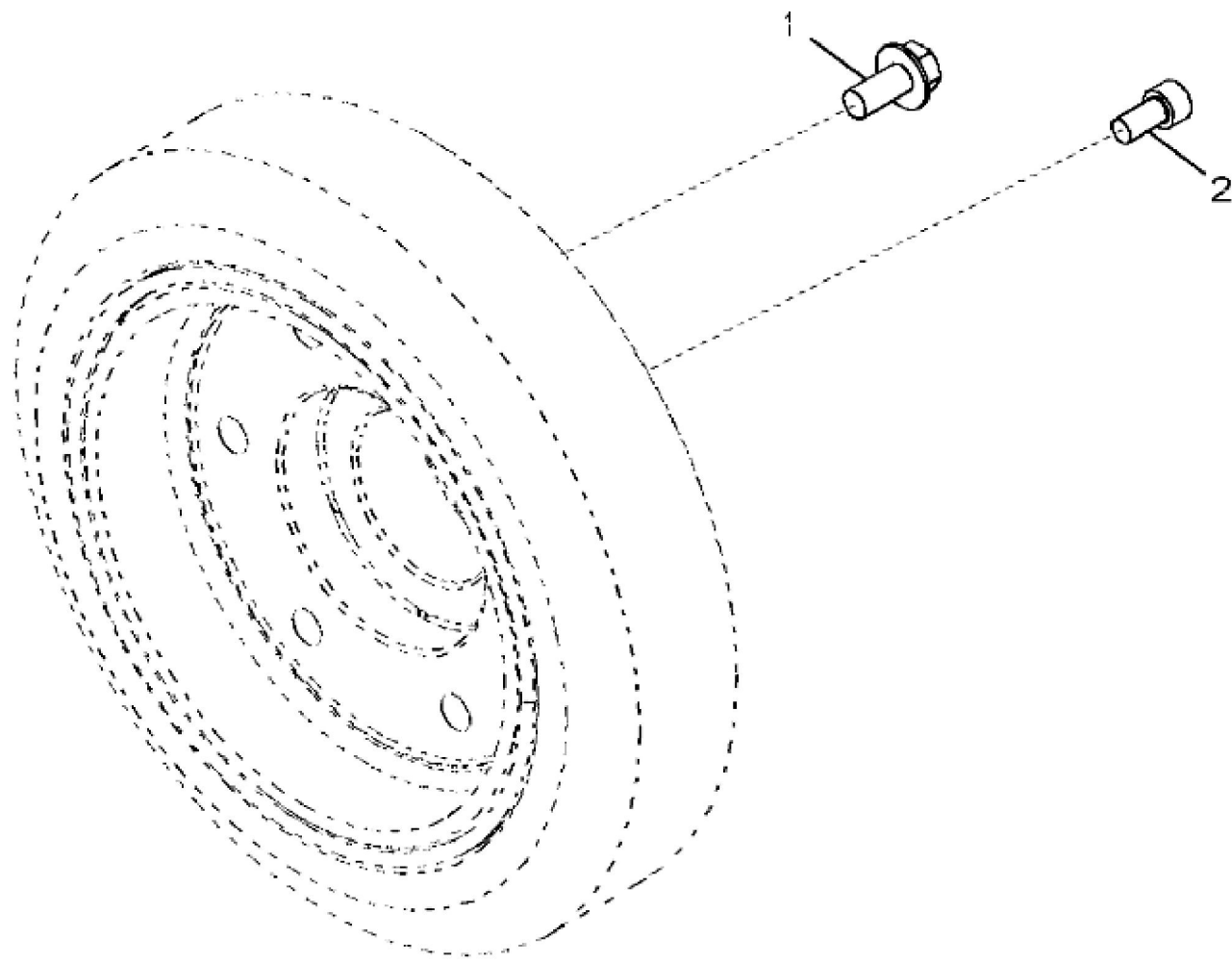


ROCKER ARM COVER

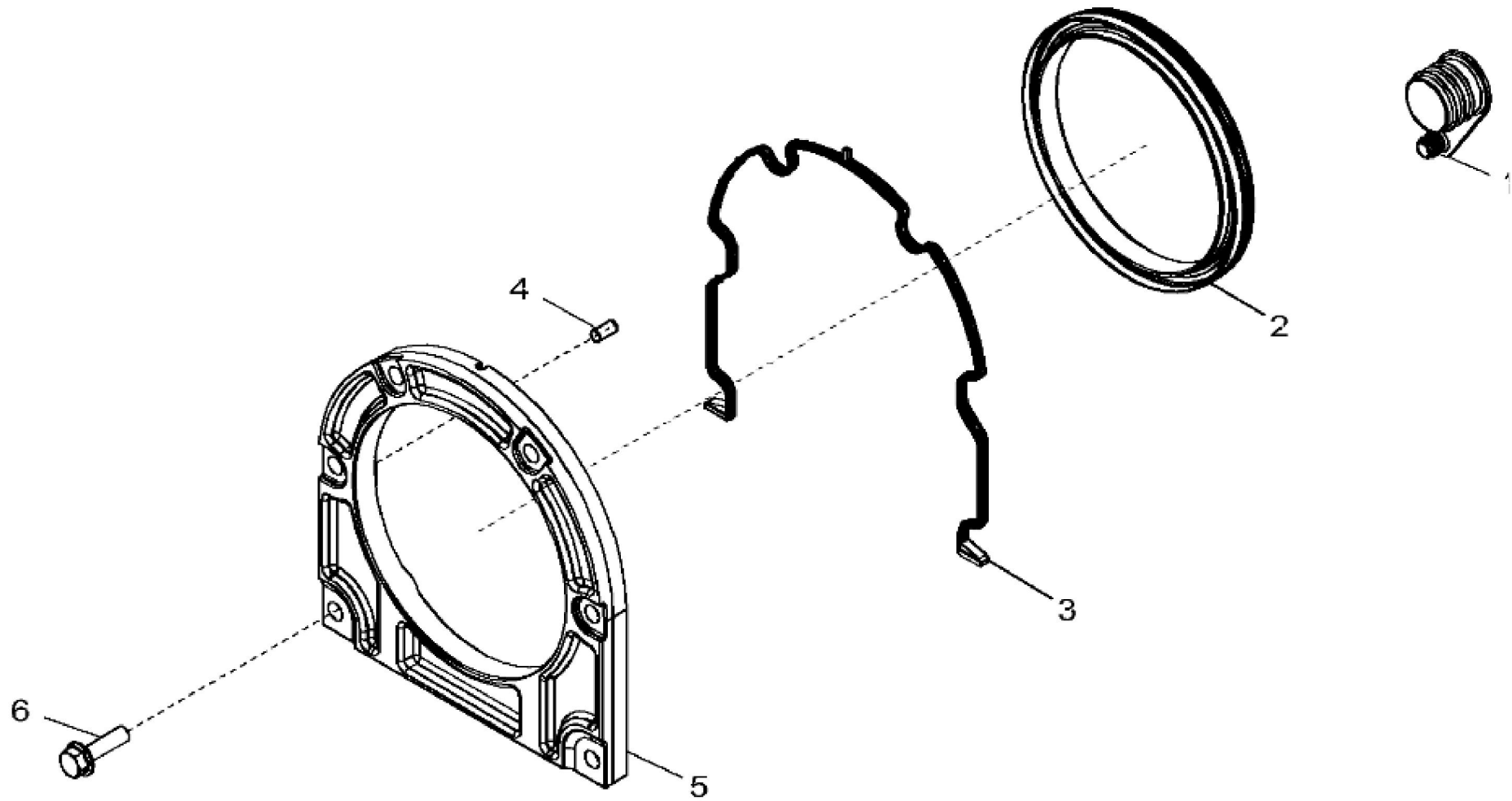
| KEY | PART NO. | PART NAME | QTY | REMARKS | |
|-----|----------|---------------|-----|----------------------------------|--|
| 1 | RE529871 | ELBOW FITTING | 1 | SUB FOR RE527976 | |
| 2 | T122075 | O-RING | 1 | | |
| 3 | 19M8291 | SCREW | 15 | M8 X 35 | |
| 4 | RE536705 | COVER | 1 | MARKED R545610; SUB FOR RE529972 | |
| 5 | R523317 | BREATHER | 1 | SUB FOR R518264 | |
| 6 | RE526690 | CAP SCREW | 2 | | |
| 7 | RE526689 | CAP SCREW | 1 | | |
| 8 | R527884 | GASKET | 1 | | |



1398_RE558936_PCD

CRANKSHAFT PULLEY HARDWARE

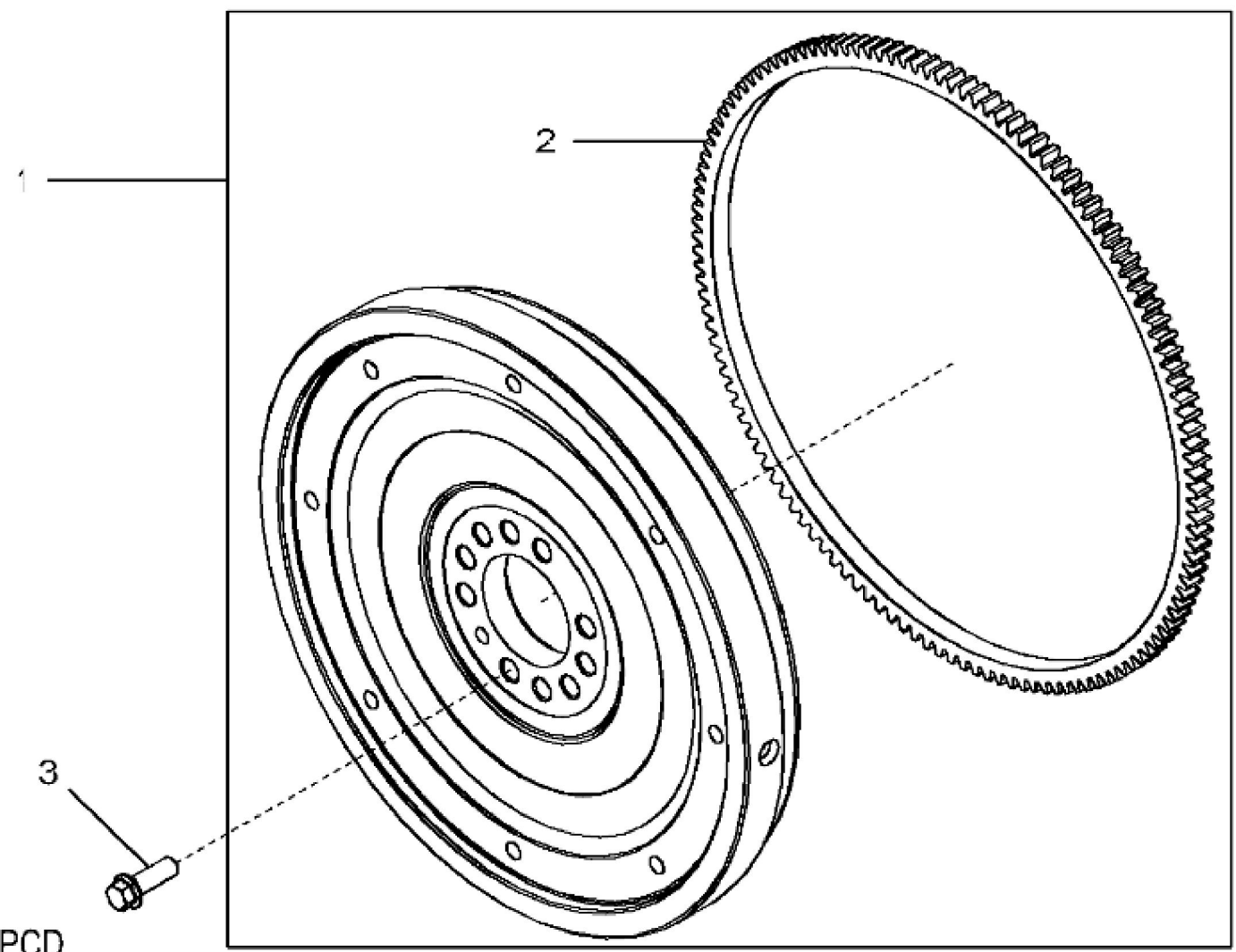
| KEY | PART NO. | PART NAME | QTY | REMARKS | |
|-----|----------|-----------|-----|----------|--|
| 1 | 19M7788 | SCREW | 6 | M12 X 25 | |
| 2 | 19M9200 | SCREW | 6 | M10 X 20 | |



1496_RE538659_PCD

CRANKSHAFT OIL SEAL AND HOUSING

| KEY | PART NO. | PART NAME | QTY | REMARKS | |
|-----|----------|-----------|-----|---------|--|
| 1 | R121929 | PLUG | 1 | | |
| 2 | RE535552 | SEAL | 1 | | |
| 3 | R527660 | GASKET | 1 | | |
| 4 | F1743R | DOWEL PIN | 2 | | |
| 5 | R526588 | HOUSING | 1 | | |
| 6 | 19M7868 | SCREW | 6 | M8 X 30 | |



1546_RE533328_PCD

Thank you so much for reading.
Please click the “Buy Now!”
button below to download the
complete manual.



After you pay.

You can download the most
perfect and complete manual in
the world immediately.

Our support email:

ebooklibonline@outlook.com