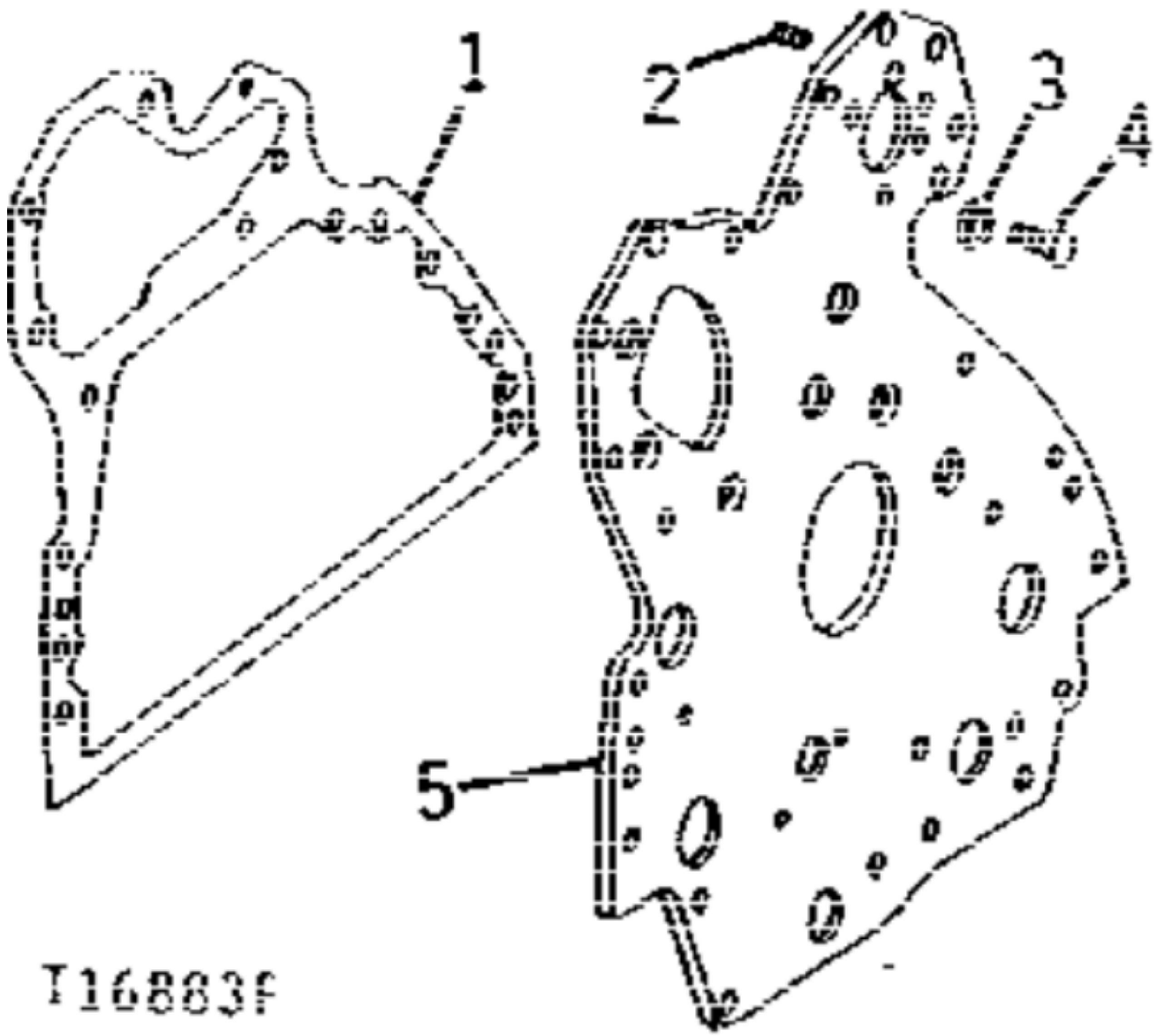


KEY	PART NO.	PART NAME	QTY	Engine Serial No.	REMARKS
1A	AT13740	DRAIN VALVE	1		(WITHOUT ENGINE COOLANT HEATER)
1A	15H613	ELBOW FITTING	1		90°
1B	R55233	PIPE PLUG	1		
2	15H690	PIPE PLUG	1		HEX. CTSK., 3/4"
3	R48685	DOWEL PIN	2		(SUB FOR R26241, THIS APPLICATION)
4	15H275	PIPE PLUG	AR		HEX. CTSK., 1/4" (WITHOUT ENGINE COOLANT HEATER)
4	T29388	UNION FITTING	AR		(WITH ENGINE COOLANT HEATER)
5	R39741	DRAIN PLUG	1		(WITHOUT ENGINE COOLANT HEATER)
6	R122226	STUD	2		(SUB FOR R122226) TIMING GEAR COVER-3/8 X 2-1/2"
6	T25701	STUD	1		TIMING GEAR COVER-3/8" X 2-1/8"
7	12H304	LOCK WASHER	1		3/8", (USE WITH T25701)
8	14H1076	NUT	3		3/8"
9	T18891	PLUG	1		
10	R26493	BUSHING	1		OIL PRESSURE RELIEF VALVE
11	R26650	DOWEL PIN	2		
12	15H666	PIPE PLUG	1		3/8"
13	R48685	DOWEL PIN	2		(SUB FOR A120R)
14	R54802	ORIFICE	3		(WITH TURBOCHARGER)
14	22H932	SET SCREW	3		5/16" X 3/8"
15	R79089	CAP	1		(SUB FOR AR82295)
16	R65215	BEARING CAP	3		(SUB FOR AR82294)
17	T20168	WASHER	8		
18	T23474	CAP SCREW	8		
19	15H558	PIPE PLUG	4	250696-____	1/8", (DIESEL) (SUB FOR RE12310)
19	15H558	PIPE PLUG	3	250696-____	1/8", (GASOLINE) (SUB FOR RE12310)
20	R73139	FLOW CONTROL HYD. VALVE	1	567224-____	
21	R46625	SPRING	1	567224-____	
22	R75892	O-RING	AR		(OIL PUMP TUBE)
23	T23435	THREADED NIPPLE	1		
24	U13639	O-RING	1		(WITHOUT ENGINE COOLANT HEATER)

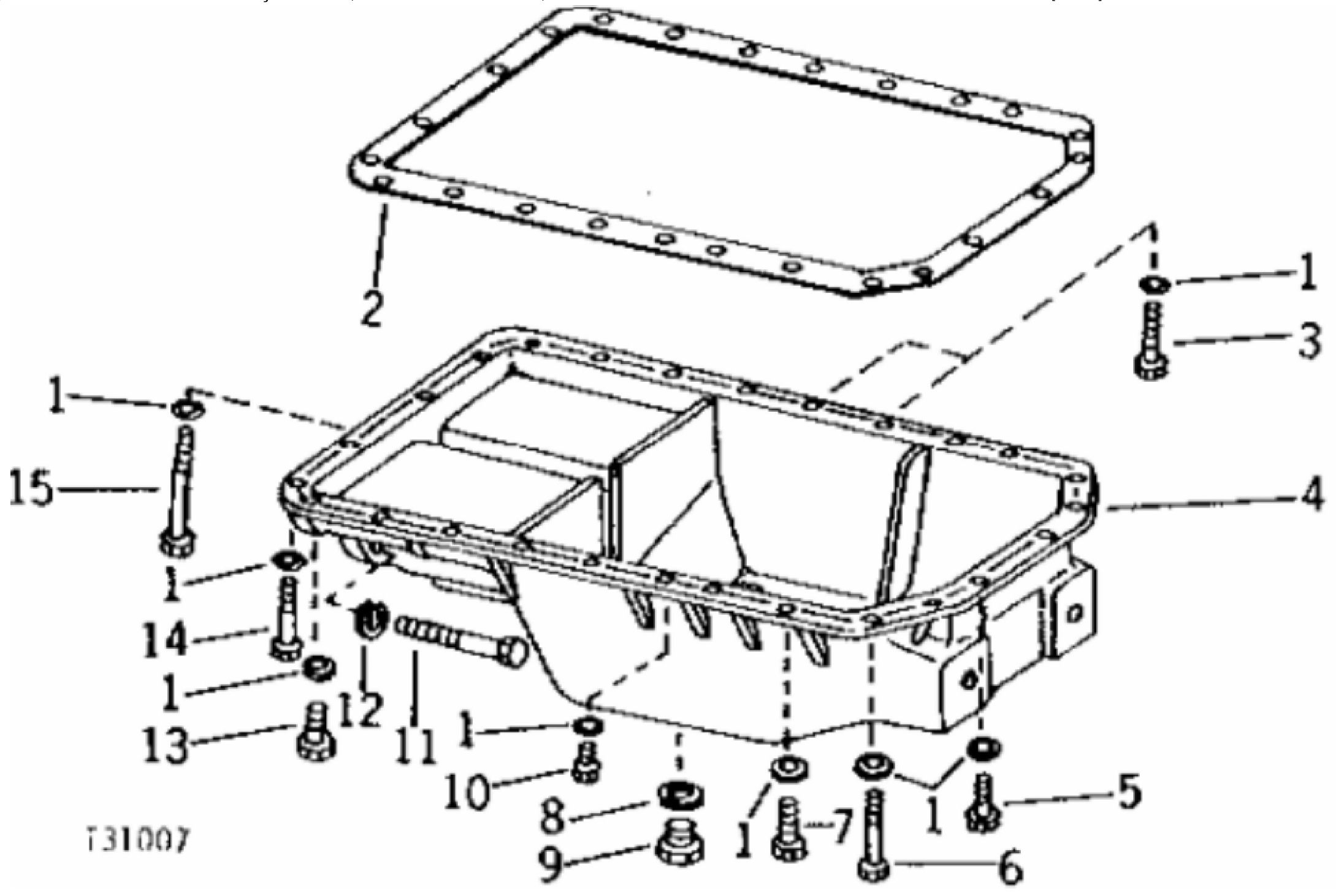
KEY	PART NO.	PART NAME	QTY	Engine Serial No.	REMARKS
25	AR64721	CYLINDER BLOCK	1	____-567223	(DIESEL) (152 CUBIC INCH) WITH MAIN BEARING, CAPS , SLEEVE, PISTON COOLING ORIFICES, PIPE PLUGS, DOWEL PINS, STUD, CAP SCREWS, WASHERS AND OIL PRESSURE RELIEF VALVE BUSHING, (MARKED R55100 OR R72967) (SUB AR97025, R46625, R73139 AND R131794)
25	CYLINDER BLOCK	1	567224-710723	(DIESEL)(152 CUBIC INCH)(WITH BEARING CAPS, NIPPLE, SLEEVE, PISTON COOLING ORIFICES, PIPE PLUGS, DOWEL PINS, STUD, CAP SCREWS, AND OIL PRESSURE RELIEF VALVE BUSHING) (AR97025 NO LONGER AVAILABLE FOR SERVICE) (MARKED R72967)
25	RE19841	CYLINDER BLOCK	1	710724-____	(DIESEL) WITH MAIN BEARING CAPS, OIL FILTER NIPPLE, SLEEVE, PISTON COOLING ORIFICES, PIPE PLUGS, DOWEL PINS, STUD, CAP SCREWS, WASHERS AND OIL PRESSURE RELIEF VALVE BUSHING (MARKED R80408) (SUB FOR AR97026, MARKED R72965)
25	CYLINDER BLOCK	1		(GASOLINE) WITH MAIN BEARING CAPS, OIL FILTER NIPPLE, (MARKED R72982), SLEEVE, PIPE PLUGS, DOWEL PINS, STUD, CAP SCREWS, WASHER AND OIL PRESSURE RELIEF VALVE BUSHING (SUB FOR AT31578, MARKED T32352 OR R72982) (AR97089 NO LONGER AVAILABLE FOR SERVICE)
..	AR64728	SHORT BLOCK ASSEMBLY	1	____-567223	(DIESEL) (ALSO ORDER (3) AR71617) WITH CYLINDER BLOCK ASSEMBLY, CRANKSHAFT, CAMSHAFT, TAPPETS, PISTONS, CONNECTING RODS, CYLINDER LINERS, FRONT PLATE, PIPE PLUGS, RELIEF VALVE SPRINGS AND OIL PUMP OUTLET TUBE, (SUB RE19842 AND R81513) (ALSO ORDER AR67942, RE44574 AND RE501578)

KEY	PART NO.	PART NAME	QTY	Engine Serial No.	REMARKS
..	RE19842	SHORT BLOCK ASSEMBLY	1	____-710723	(DIESEL) WITH CYLINDER BLOCK ASSEMBLY, CRANKSHAFT, CAMSHAFT, TAPPETS, PISTONS, CONNECTING RODS, CYLINDER LINERS, FRONT PLATE, PIPE PLUGS, RELIEF VALVE SPRING PUMP OUTLET TUBE AND BYPASS SPRING, (ALSO ORDER (3) AR71617, R81513, AR67942, RE44574 AND RE501574) (SUB FOR AR97032)
..	RE19842	SHORT BLOCK ASSEMBLY	1	710724-____	(DIESEL) WITH CYLINDER BLOCK ASSEMBLY, CRANKSHAFT, CAMSHAFT, TAPPETS, PISTONS, CONNECTING RODS, CYLINDER LINERS, FRONT PLATE, PIPE PLUGS, RELIEF VALVE SPRING PUMP OUTLET TUBE AND BYPASS SPRING, (SUB FOR AR97035) (ALSO ORDER R81513, AR67942, RE44574 AND RE501578)
..	SHORT BLOCK ASSEMBLY	1		(GASOLINE) WITH CYLINDER BLOCK ASSEMBLY, CRANKSHAFT, CAMSHAFT, TAPPETS, PISTONS, CONNECTING RODS, CYLINDER LINERS, FRONT PLATE, PIPE PLUGS, RELIEF VALVE SPRING PUMP OUTLET TUBE AND BYPASS SPRING (RE19850 NO LONGER AVAILABLE,SUB COMPONENTS) (ALSO ORDER (3) AR71617, R81513, AR67942, RE44574 AND RE501575) (SUB FOR AT31574)



T16883F

KEY	PART NO.	PART NAME	QTY	Engine Serial No.	REMARKS
1	R90648	GASKET	1		(SUB FOR T24965 AND R73140, THIS APPLICATION)
2	AT21191	SET SCREW	AR		(DIESEL)
2	AT22919	SET SCREW	2		(DIESEL)
3	12H324	WASHER	5		EXTERNAL-TOOTH, 3/8"
4	T20166	SCREW	5		
5	R56736	PLATE	1	____-127775	FRONT (DIESEL) (ALSO ORDER (5) AT21191 AND (2) AT22919)
5	R56737	PLATE	1		FRONT (GASOLINE)
5	RE16149	PLATE	1	127776-____	(ALSO ORDER (8) AT21191 AND (2) AT22919)



T31007

Thank you so much for reading.
Please click the “Buy Now!”
button below to download the
complete manual.



After you pay.

You can download the most
perfect and complete manual in
the world immediately.

Our support email:

ebooklibonline@outlook.com