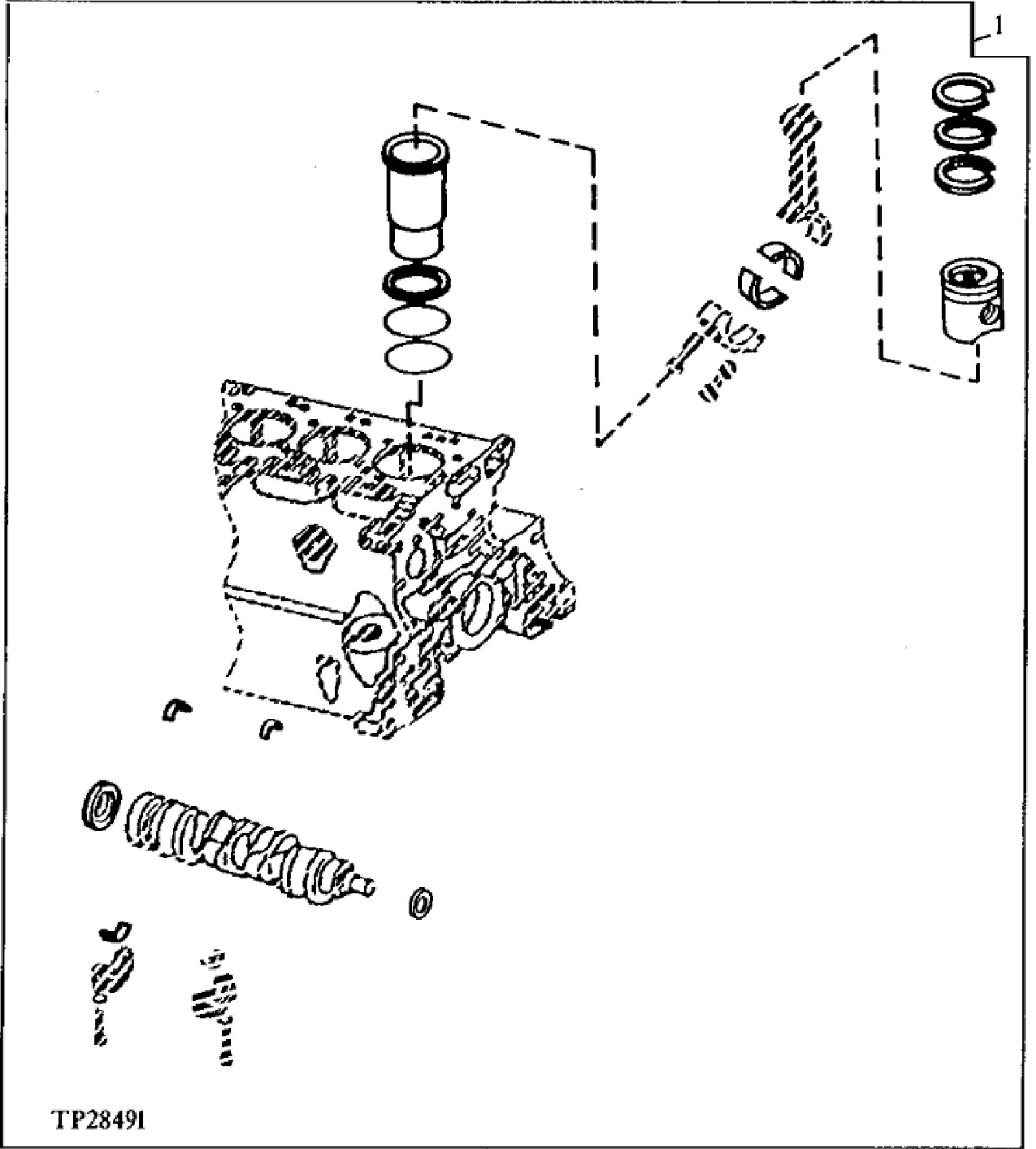


TP15007

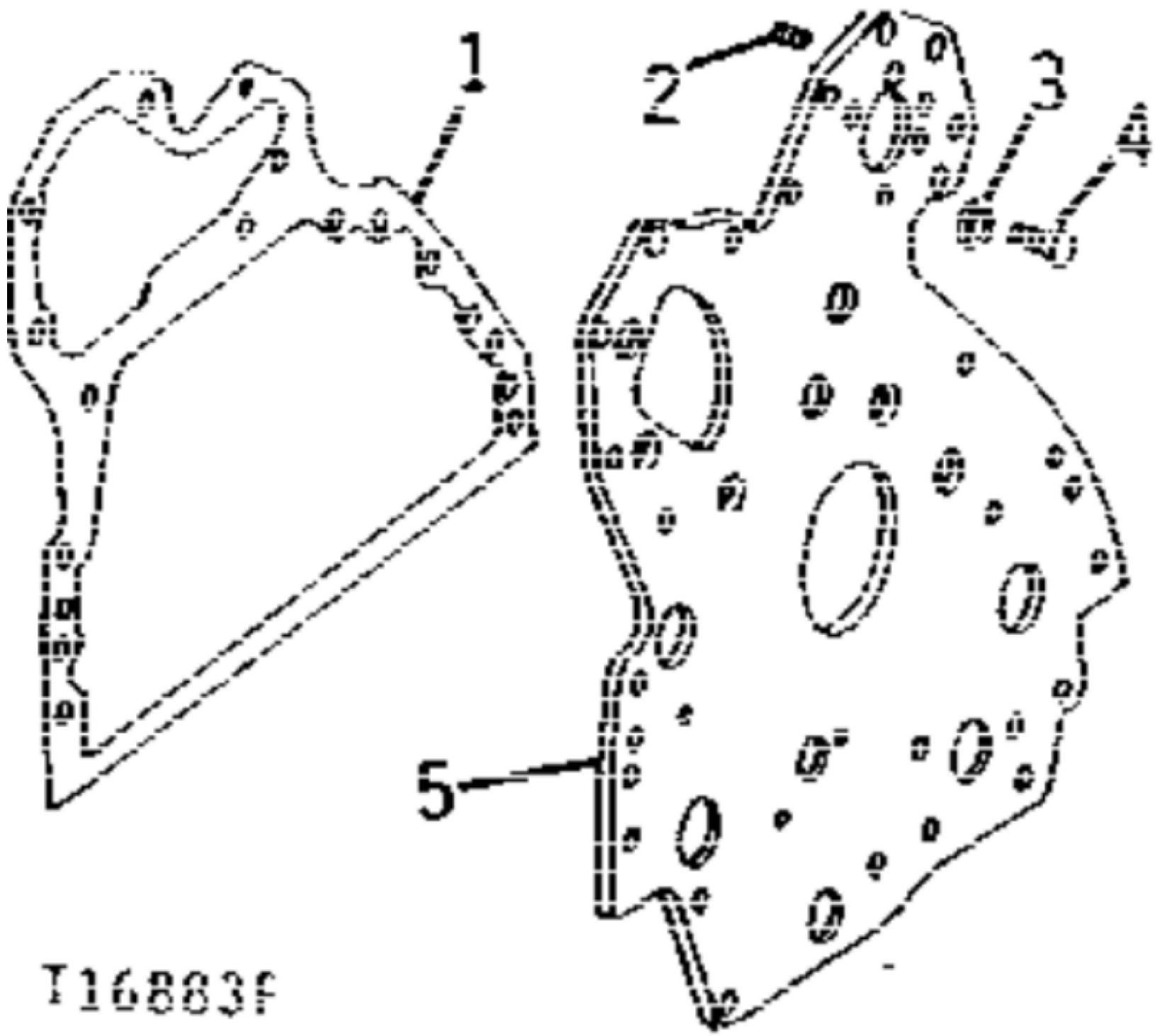
KEY	PART NO.	PART NAME	QTY	Serial No.	REMARKS
1	R48685	DOWEL PIN	2		(SUB FOR A120R)
2	15H690	PIPE PLUG	AR		3/4"
2	15H562	PIPE PLUG	AR		1"
3	R48685	DOWEL PIN	2		(SUB FOR R26241, THIS APPLICATION)
4A	AT13740	DRAIN VALVE	1		(WITHOUT ENGINE COOLANT HEATER)
4A	15H613	ELBOW FITTING	1		90°
4B	R55233	PIPE PLUG	1		(WITHOUT ENGINE COOLANT HEATER)
5	15H275	PIPE PLUG	AR		1/4", (WITHOUT ENGINE COOLANT HEATER)
5	15H613	ELBOW FITTING	AR		90°
6	R122226	STUD	2		(SUB FOR R122226)
6	T25701	STUD	1		
7	15H558	PIPE PLUG	4	250490-_____	1/8", (DIESEL) (SUB FOR RE12310)
7	15H558	PIPE PLUG	3	250490-_____	1/8", (GASOLINE) (SUB FOR RE12310)
8	R57160	BUSHING	6		
9	T18891	PLUG	2		
10	R26493	BUSHING	1		
11	R26650	DOWEL PIN	2		
12	15H666	PIPE PLUG	1		3/8"
13	R65215	BEARING CAP	4		(SUB FOR AR82294)
14	T20168	WASHER	10		
15	T23474	CAP SCREW	10		
16	R79089	CAP	1		(SUB FOR AR82295)
17	T23435	THREADED NIPPLE	1		
18	R54802	ORIFICE	4		(WITH TURBOCHARGER)
18	22H932	SET SCREW	4		5/16" X 3/8", (WITHOUT TURBOCHARGER)
19	R75892	O-RING	1		(OIL PUMP TUBE)
20	15H561	PIPE PLUG	1		1/2", (WITHOUT TURBOCHARGER)
21	U13639	O-RING	1		(WITHOUT ENGINE COOLANT HEATER)
22	R39741	DRAIN PLUG	1		(WITHOUT ENGINE COOLANT HEATER)
23	12H304	LOCK WASHER	3		3/8"
24	14H1076	NUT	3		3/8"
25	R73139	FLOW CONTROL HYD. VALVE	1	569033-_____	
26	R46625	SPRING	1	569033-_____	

KEY	PART NO.	PART NAME	QTY	Serial No.	REMARKS
27	RE61639	CYLINDER BLOCK	1		WITH DOWEL PINS, PIPE PLUG, MAIN BEARING CAPS, STUDS, NIPPLE, OIL PRESSURE RELIEF VALVE BUSHING, WASHERS, CAP SCREWS, PISTON COOLING ORIFICES AND BALANCER SHAFT BUSHINGS (DIESEL) (MARKED R122820)
27	.....	CYLINDER BLOCK	1		(GASOLINE)(NO LONGER AVAILABLE)
..	RE19855	SHORT BLOCK ASSEMBLY	1		WITH CYLINDER BLOCK ASSEMBLY, TAPPETS, CRANKSHAFT, PISTONS, CONNECTING RODS, CYLINDER LINERS, BALANCER SHAFTS, CAMSHAFT, AND MISCELLANEOUS PARTS (DIESEL) (MARKED R122820)
..	.....	SHORT BLOCK ASSEMBLY	1		(GASOLINE)(NO LONGER AVAILABLE)



TP28491

KEY	PART NO.	PART NAME	QTY	REMARKS	
1	.....	ENGINE OVERHAUL KIT	1	(ALSO ORDER ENGINE OVERHAUL GASKET KIT) (1.19" PISTON PIN) ( AT86984 NO LONGER AVAILABLE) (ORDER (4) AR71593 AND (8) R51112)	
1	RE527293	ENGINE OVERHAUL KIT	1	BASIC ENGINE OVERHAUL KIT (WITH STANDARD PISTONS) (ALSO INCLUDES ENGINE OVERHAUL GASKET KIT) (ORDER ONE KIT PER ENGINE) (INCLUDES (8) M41029)	



T16883F

Thank you so much for reading.  
Please click the “Buy Now!”  
button below to download the  
complete manual.



After you pay.

You can download the most  
perfect and complete manual in  
the world immediately.

Our support email:

[ebooklibonline@outlook.com](mailto:ebooklibonline@outlook.com)