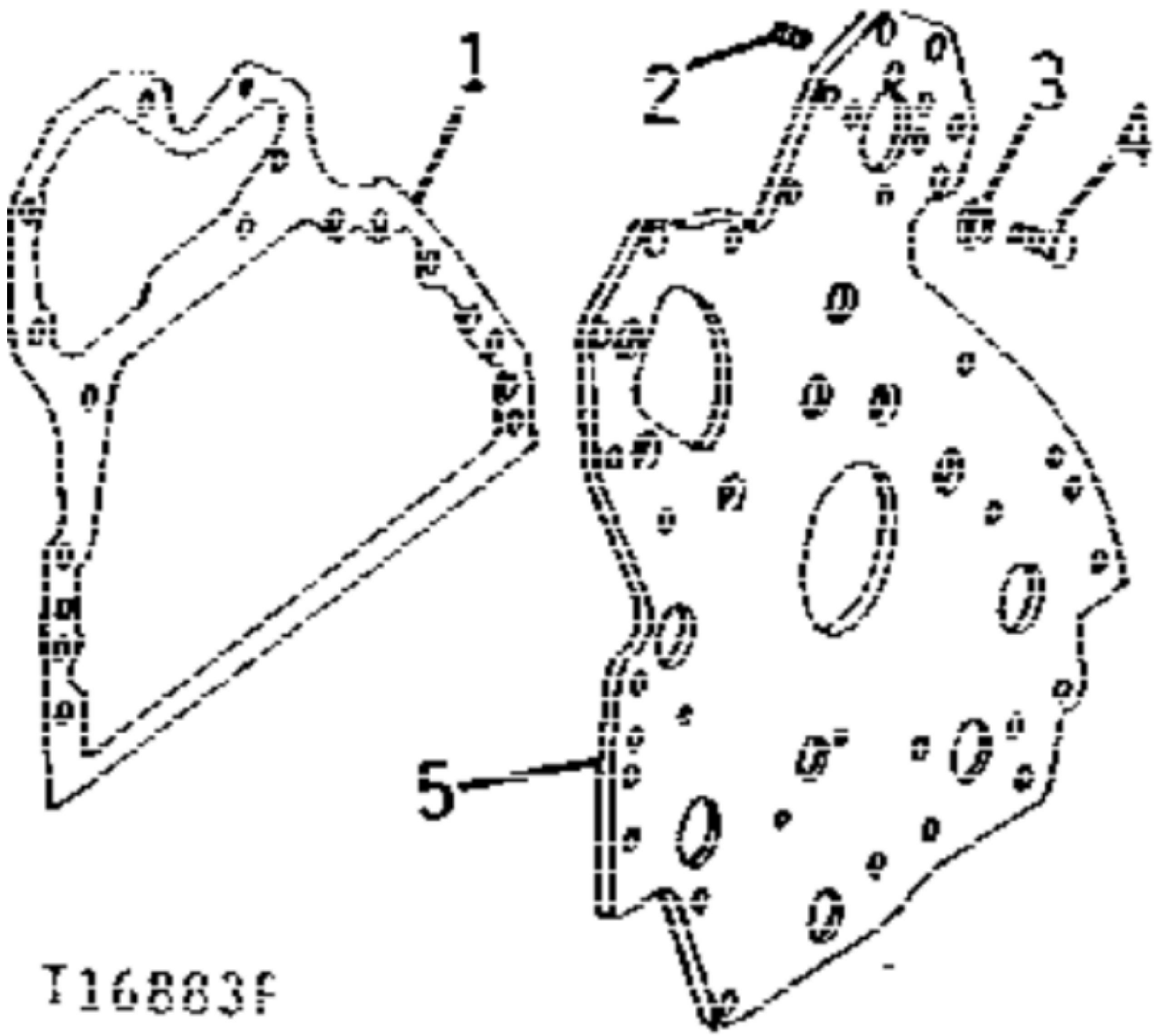


TP14988

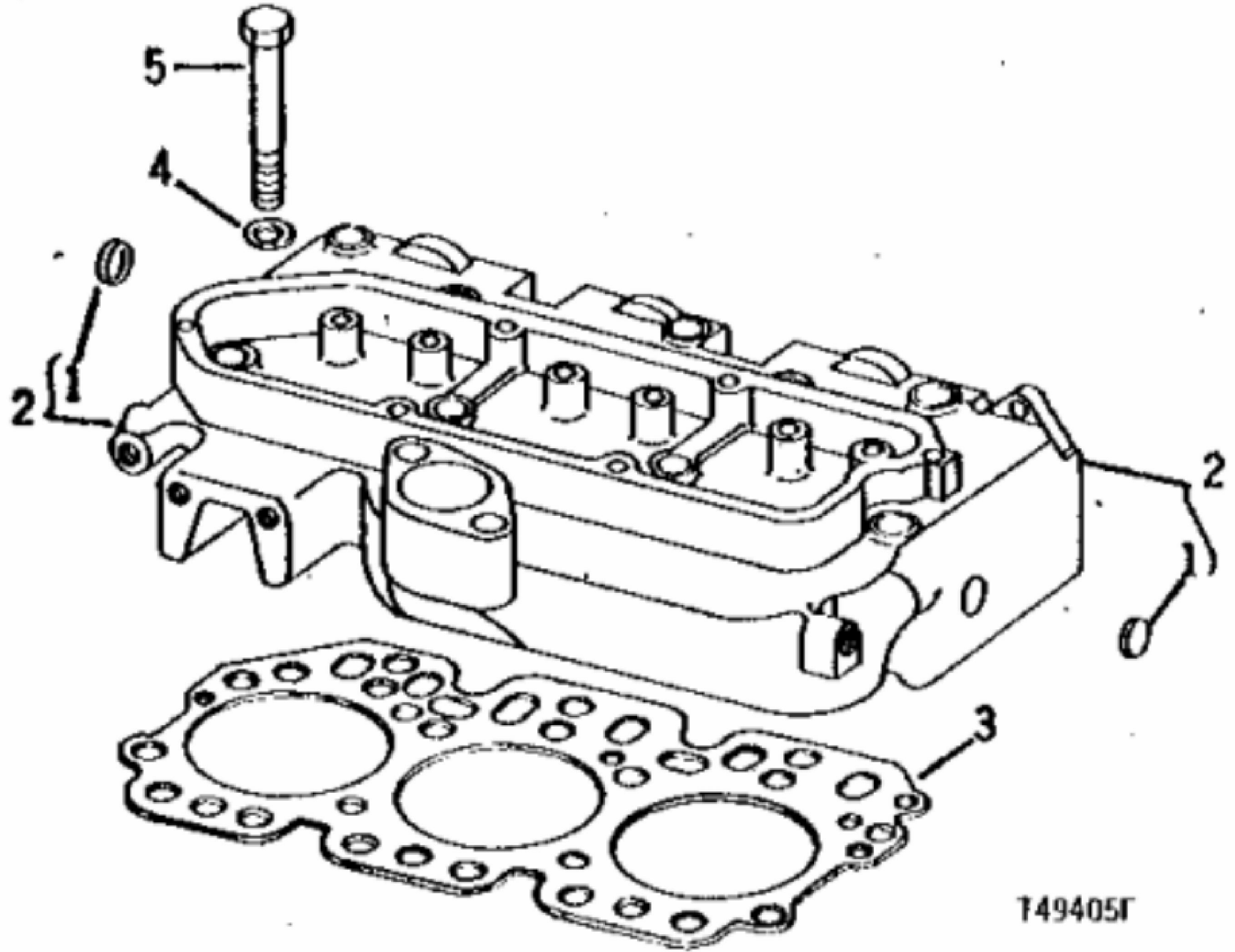
KEY	PART NO.	PART NAME	QTY	Serial No.	REMARKS
1A	AT13740	DRAIN VALVE	1		(WITHOUT ENGINE COOLANT HEATER)
1A	15H613	ELBOW FITTING	1		90° 1/4" (WITH ENGINE COOLANT HEATER)
1B	R55233	PIPE PLUG	1		(WITHOUT COOLANT HEATER)
2	15H690	PIPE PLUG	AR		3/4"
2	15H562	PIPE PLUG	AR		1"
3	R48685	DOWEL PIN	2		(SUB FOR R26241, THIS APPLICATION)
4	15H275	PIPE PLUG	AR		1/4", (WITHOUT COOLANT HEATER)
4	T29388	UNION FITTING	AR		(WITH ENGINE COOLANT HEATER)
5	R39741	DRAIN PLUG	1		(WITHOUT ENGINE COOLANT HEATER)
6	R122226	STUD	2		(SUB FOR R122226) TIMING GEAR COVER
6	T25701	STUD	1		WATER PUMP
7	12H304	LOCK WASHER	3		3/8"
8	14H1076	NUT	3		3/8"
9	T18891	PLUG	2		
10	R26493	BUSHING	1		OIL PRESSURE RELIEF VALVE
11	R26650	DOWEL PIN	2		
12	15H666	PIPE PLUG	1		3/8"
13	R48685	DOWEL PIN	2		(SUB FOR A120R)
14	R54802	ORIFICE	3		
14	22H932	SET SCREW	3		5/16" X 3/8"
15	R79089	CAP	1		(SUB FOR AR82295)
16	R65215	BEARING CAP	3		(SUB FOR AR82294)
17	T20168	WASHER	8		
18	T23474	CAP SCREW	8		
19	15H558	PIPE PLUG	4	250696-_____	1/8", (SUB FOR RE12310)
20	R73139	FLOW CONTROL HYD. VALVE	1	570400-_____	
21	R46625	SPRING	1	570400-_____	
22	R75892	O-RING	AR		(OIL PUMP TUBE)
23	T23435	THREADED NIPPLE	1		
24	U13639	O-RING	1		(WITHOUT ENGINE COOLANT HEATER)
25	AR64724	CYLINDER BLOCK	1	_____570399	WITH MAIN BEARING CAPS, OIL FILTER NIPPLE, PIPE PLUGS, DOWEL PINS, STUDS, CAP SCREWS, WASHERS AND OIL PRESSURE RELIEF VALVE BUSHING, (MARKED R55120 OR R72965) (SUB RE19841) (DIESEL)

KEY	PART NO.	PART NAME	QTY	Serial No.	REMARKS
25	.....	CYLINDER BLOCK	1	570400-_____	WITH MAIN BEARING CAPS, OIL FILTER NIPPLE, PIPE PLUGS, DOWEL PINS, STUDS, CAP SCREWS, WASHERS AND OIL PRESSURE RELIEF VALVE BUSHING, (MARKED R80408) (SUB FOR AR97026, MARKED R72965) ( RE19844 NO LONGER AVAILABLE)
25	.....	CYLINDER BLOCK	1		WTH MAIN BEARING CAPS, OIL FILTER NIPPLE, PIPE PLUGS, DOWEL PINS, STUDS, CAP SCREWS, WASHERS AND OIL PRESSURE RELIEF VALVE BUSHING, (MARKED R72966) (SUB FOR AT31580, MARKED T32347 AND AR97074, MARKED R72966) (GASOLINE) ( RE19844 NO LONGER AVAILABLE)
..	RE19842	SHORT BLOCK ASSEMBLY	1	_____570399	CYLINDER BLOCK ASSEMBLY, WITH CRANKSHAFT, CAMSHAFT, IDLER GEAR, CONNECTING RODS, PISTONS, CYLINDER LINERS, TAPPETS, BYPASS VALVE, BYPASS SPRING, FRONT PLATE AND FRONT PLATE SET SCREWS, (SUB FOR AR97035 AND AR64730) (ALSO ORDER R81513, AR67942 AND RE44574 (DIESEL)
..	.....	SHORT BLOCK ASSEMBLY	1		CYLINDER BLOCK ASSEMBLY, WITH CRANKSHAFT, CAMSHAFT, IDLER GEAR, CONNECTING RODS, PISTONS, CYLINDER LINERS, UPPER IDLER GEAR SHAFT, TAPPETS, FRONT PLATE AND FRONT PLATE SET SCREWS, (SUB FOR AR53364 AND AR97075) (ALSO ORDER R81513, AR67942, RE44574 AND RE38596) (GASOLINE) ( RE19847 NO LONGER AVAILABLE)



T16883F

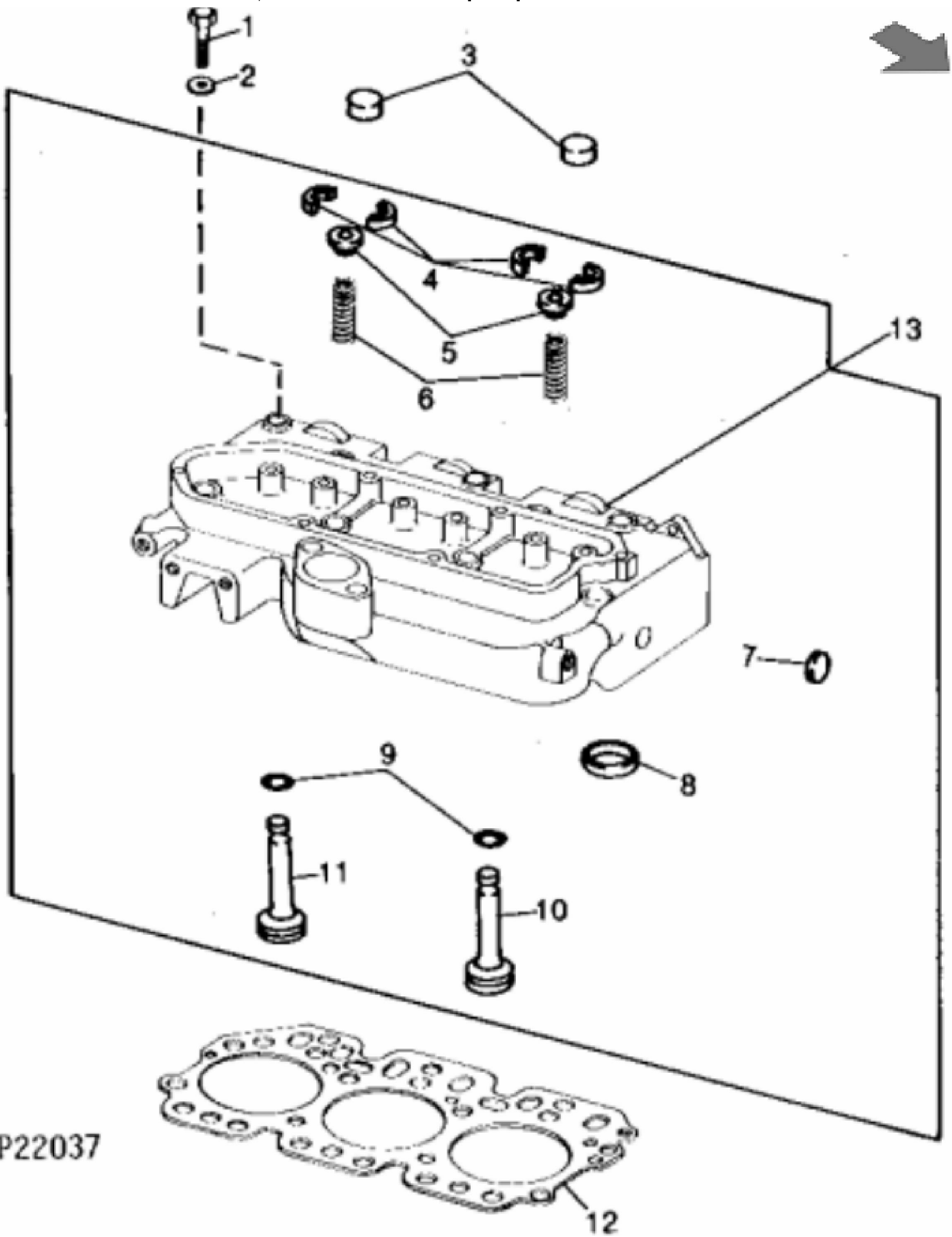
KEY	PART NO.	PART NAME	QTY	REMARKS	
1	R131794	GASKET	1	(SUB FOR R90648)	
2	AT21191	SET SCREW	AR	(DIESEL)	
2	AT22919	SET SCREW	2	(DIESEL)	
3	12H324	WASHER	5	3/8"	
4	T20166	SCREW	5	3/8" X 7/8"	
5	RE16149	PLATE	1	FRONT (DIESEL) (ALSO ORDER (8) AT21191 AND (2) AT22919) (SUB FOR R56736)	
5	R56737	PLATE	1	FRONT (GASOLINE)	



T49405F

[01B07]

KEY	PART NO.	PART NAME	QTY	REMARKS
1	A3910R	PLUG	2	
2	AR70582	CYLINDER HEAD	1	(MARKED R58685) (DIESEL) (SUB FOR AT21799) (MARKED T24755) (SUB AR70583)
2	AT21332	CYLINDER HEAD	1	(MARKED T19974) (GASOLINE)
3	R80241	GASKET	1	(USE IF AVAILABLE) (SUB FOR R59447)
3	R97356	ENGINE CYLINDER HEAD GASKET	1	(SUB FOR R80241)
4	T20168	WASHER	14	(DO NOT USE WITH R85363)
5	R53223	CAP SCREW	14	(DIESEL) 1/2" X 4-1/4"
5	R85363	CAP SCREW	11	(GASOLINE) (SUB FOR T20182 AND R78558)
5	T20184	BOLT	3	(GASOLINE) 1/2" X 3-1/2"



TP22037



Thank you so much for reading.  
Please click the “Buy Now!”  
button below to download the  
complete manual.



After you pay.

You can download the most  
perfect and complete manual in  
the world immediately.

Our support email:

[ebooklibonline@outlook.com](mailto:ebooklibonline@outlook.com)