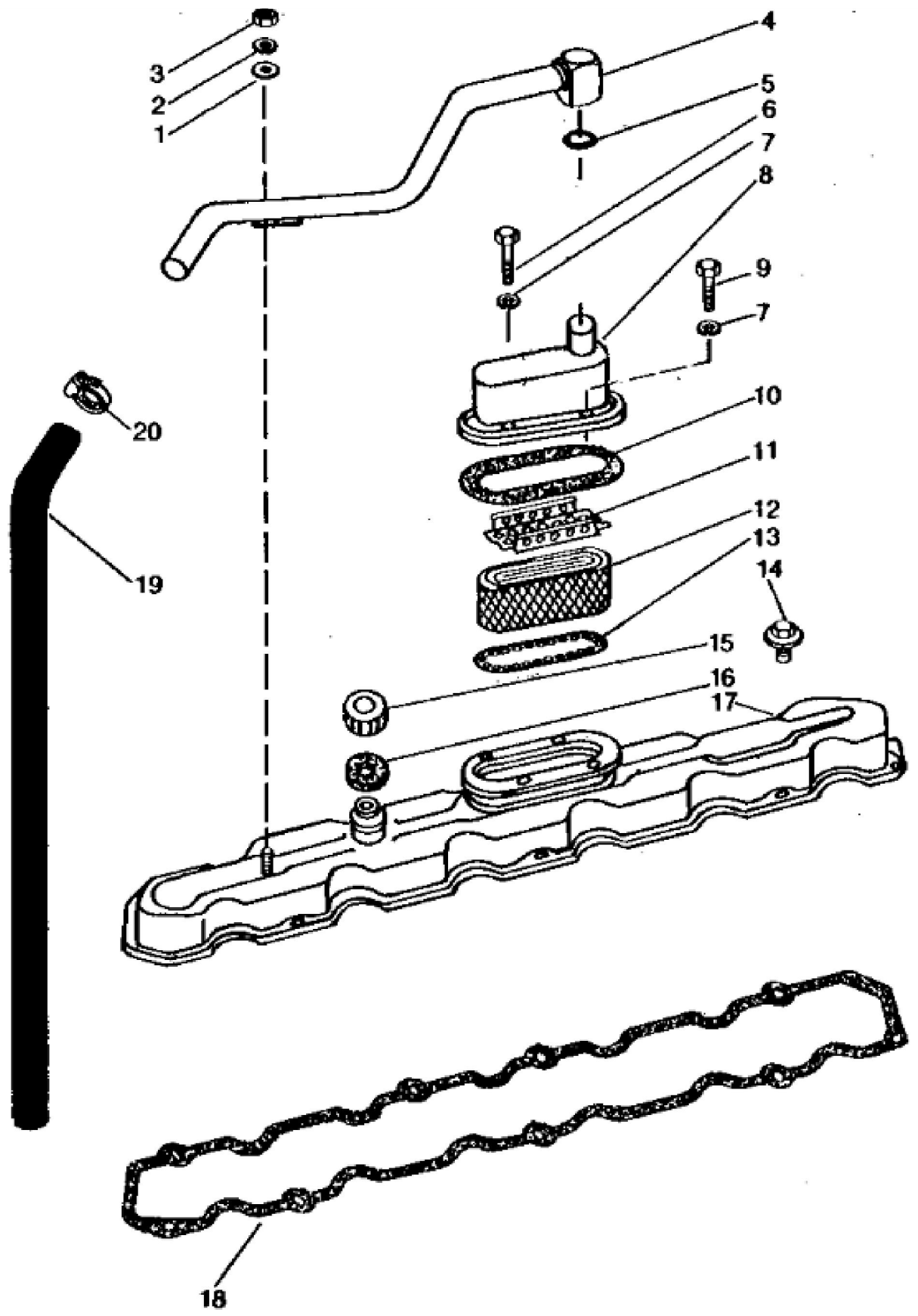
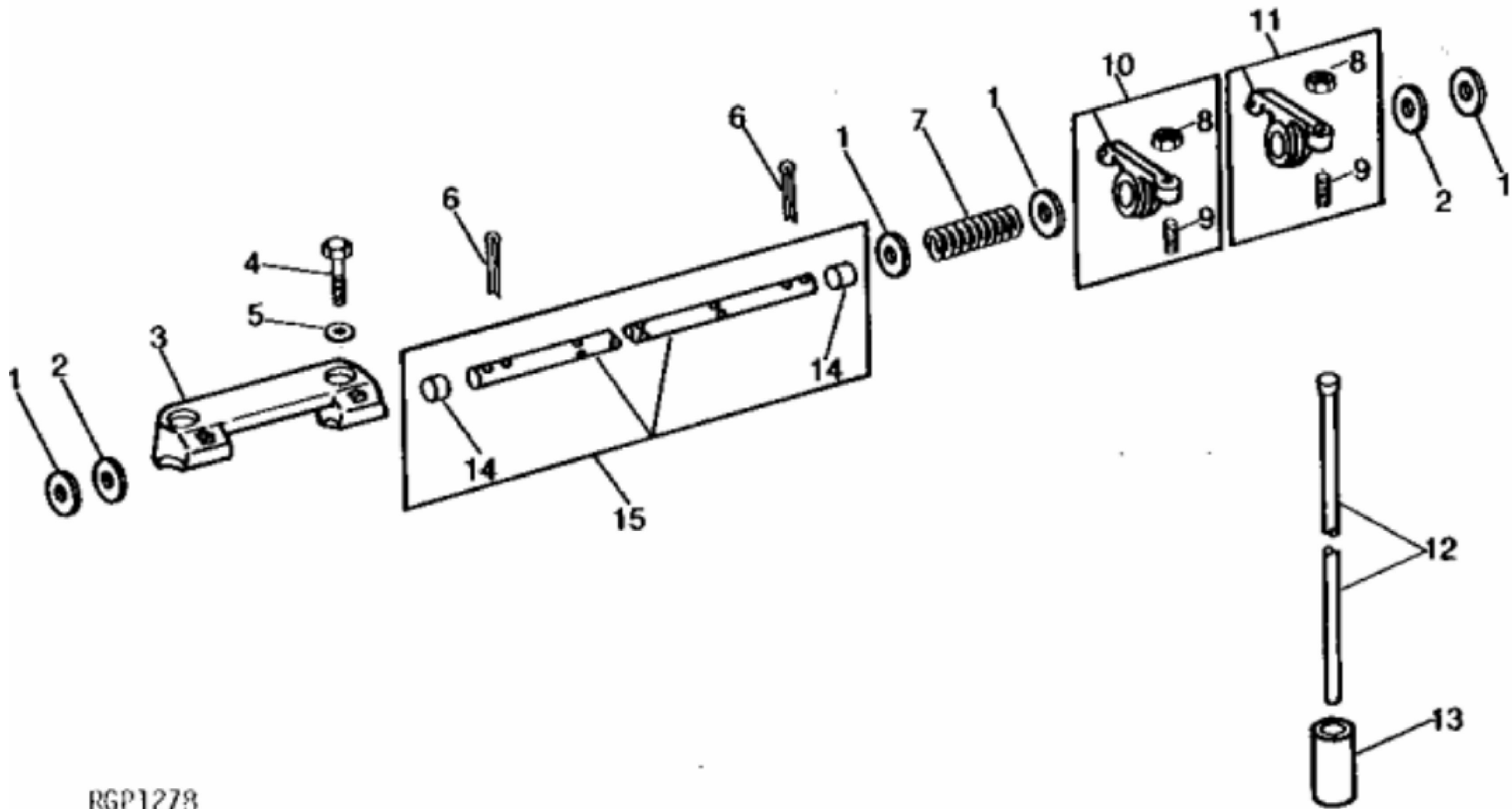


RGPI47

KEY	PART NO.	PART NAME	QTY	REMARKS	
1	R49691	ISOLATOR	1		
2	R49692	FILTER ELEMENT	1		
3	R49690	DEFLECTOR	1		
4	R49492	GASKET	1		
5	AR53544	COVER	1		
6	12H303	LOCK WASHER	4	5/16"	
7	19H1813	CAP SCREW	4	5/16" X 5/8"	
8	R495R	O-RING	1		
9	R59797	TUBE	1		
10	AR103811	SCREW WITH WASHER	9	(SUB FOR AR45530)	
11	AR53537	COVER	1		
12	R74365	GASKET	1	(SUB FOR R36652 OR R49867)	

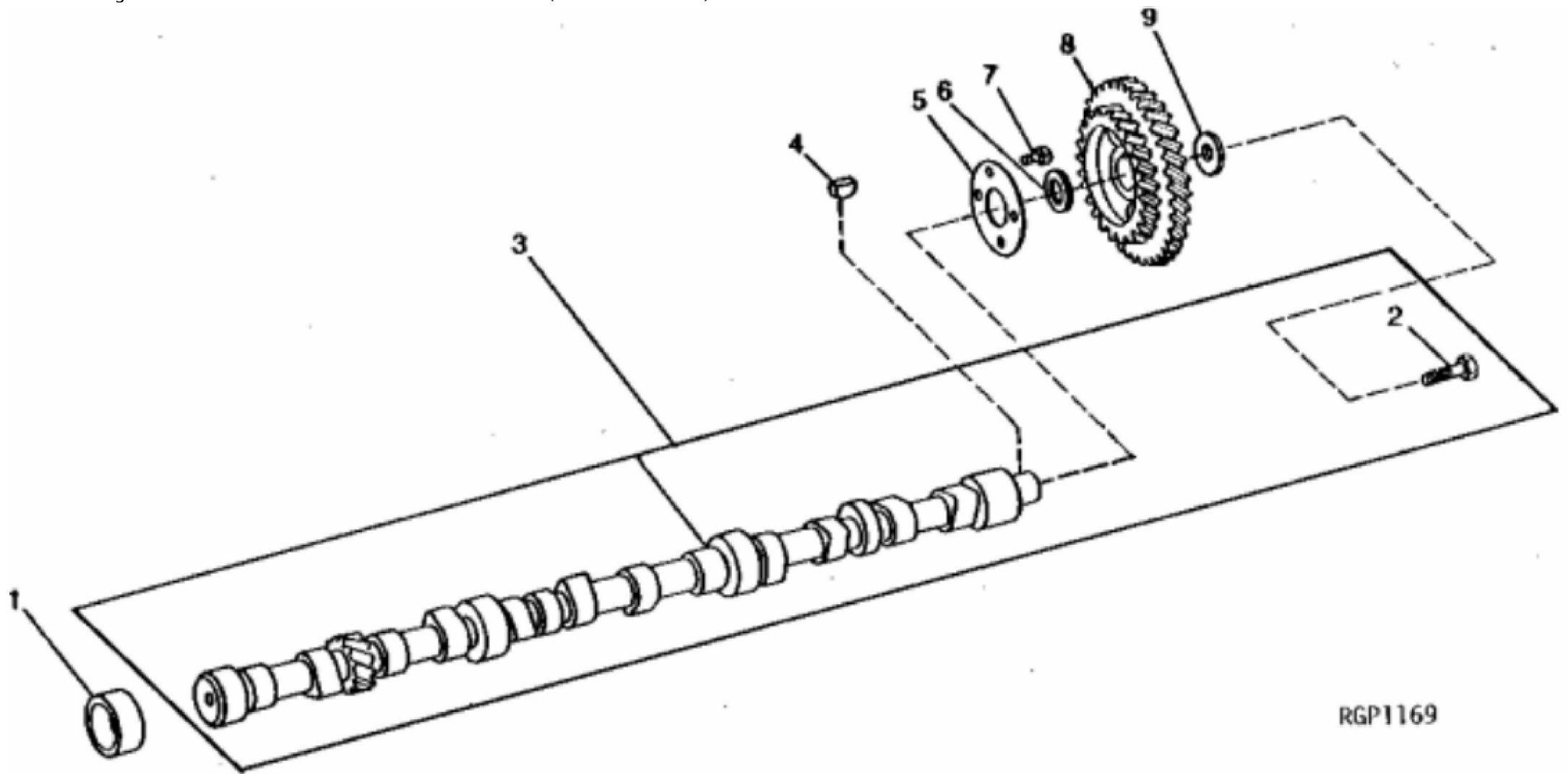


KEY	PART NO.	PART NAME	QTY	Engine Serial No.	REMARKS
1	24H1287	WASHER	1		9/32" X 5/8" X 0.065"
2	12H302	LOCK WASHER	1		1/4"
3	14H786	NUT	1		1/4"
4	AR102381	TUBE	1		
5	R56463	O-RING	1		(SUB FOR R47147)
6	19H1900	CAP SCREW	2		5/16" X 3/4"
7	12H303	LOCK WASHER	4		5/16", (NLR)
8	AR102380	COVER	1		
9	19H1813	CAP SCREW	2		5/16" X 5/8"
10	R49492	GASKET	1		
11	R49690	DEFLECTOR	1		
12	R49692	FILTER ELEMENT	1		
13	R49691	ISOLATOR	1		
14	AR103811	SCREW WITH WASHER	9	____-056006	(SUB AR100124, APPL)
14	AR100124	SCREW WITH WASHER	9	056007-____	
15	T20294	CAP	1		
16	T20328	GASKET	1		
17	AR102379	COVER	1		
18	R74365	GASKET	1		
19	R99794	HOSE	1		(SUB FOR R65061) (SUB TY22450)
19	TY22450	BULK HOSE	AR		(BULK)
20	TY22467	CLAMP	1		(SUB FOR AR21837 OR AR21839, APPL)



RGP1278

KEY	PART NO.	PART NAME	QTY	REMARKS	
1	R61266	WASHER	12		
2	R35022	WASHER	2		
3	R57276	CLAMP	3		
4	R56957	BOLT	6		
5	T20168	WASHER	6		
6	11H229	COTTER PIN	2	3/32" X 2"	
7	R35020	SPRING	5		
8	14H846	NUT	12	3/8"	
9	R27443	SET SCREW	12		
10	AR69901	ARM	6		
11	AR69902	ARM	6		
12	AR53087	PUSH ROD	12		
13	AR41291	CAM FOLLOWER	12		
14	R35019	PLUG	2		
15	AR92514	ROCKER ARM SHAFT	1	(SUB FOR AR74545)	



RGP1169

Thank you so much for reading.  
Please click the “Buy Now!”  
button below to download the  
complete manual.



After you pay.

You can download the most  
perfect and complete manual in  
the world immediately.

Our support email:

[ebooklibonline@outlook.com](mailto:ebooklibonline@outlook.com)