

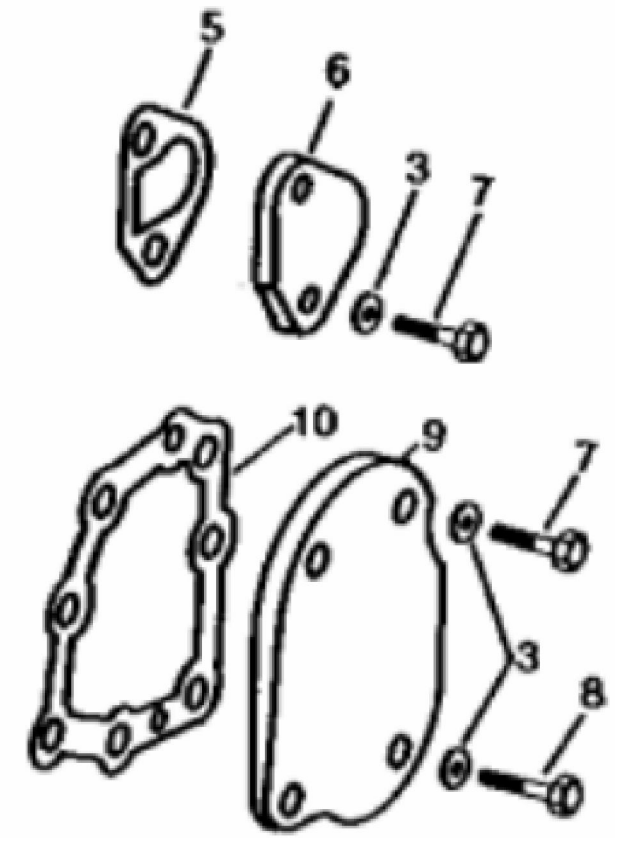
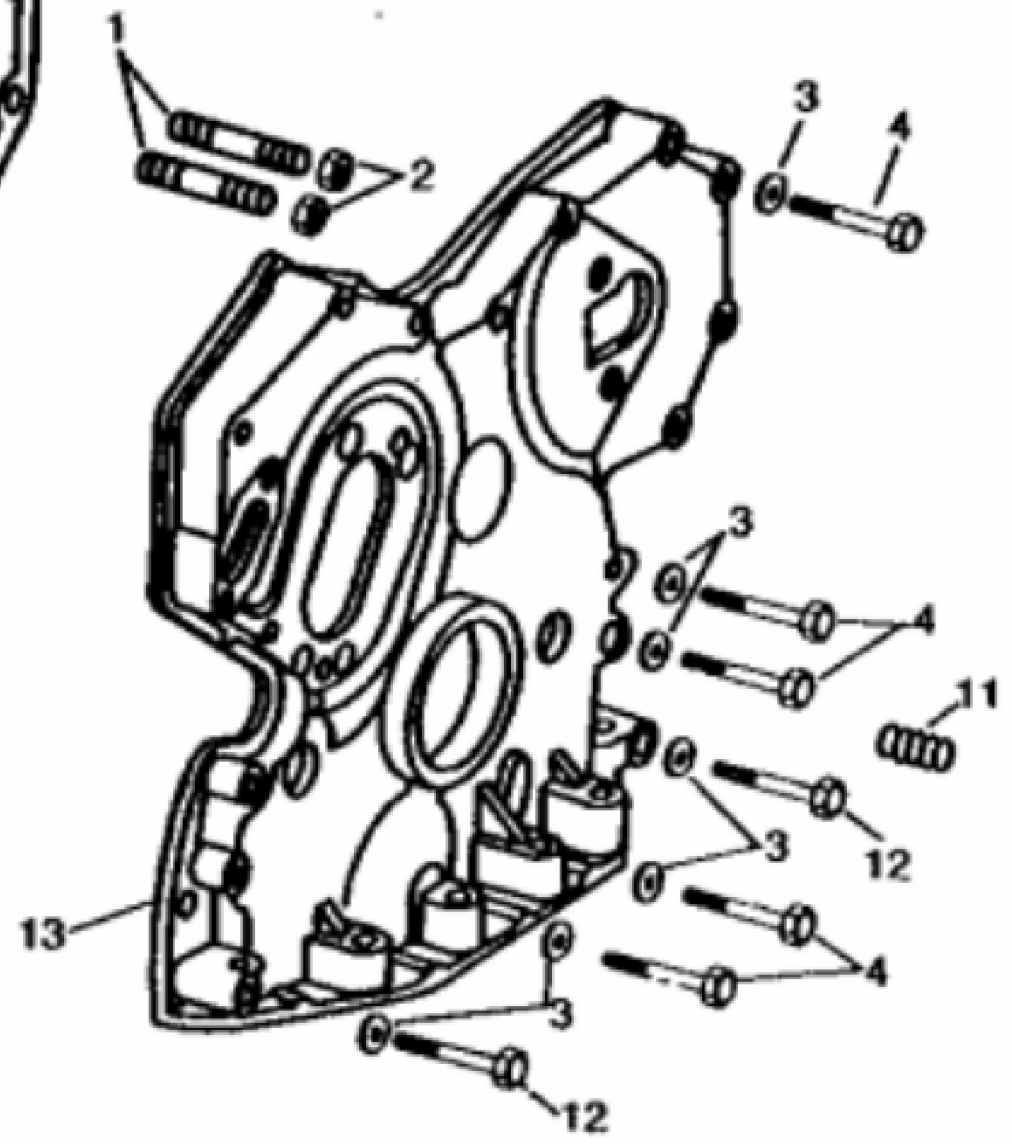
TP3697

John Deere > Construction And Forestry >BACKHOE, LOADER >410B - BACKHOE, LOADER >410B Backhoe Loader >4 ENGINE 4 >CAMSHAFT AND VALVE ACTUATING MEANS 0402 >0402-5 - ROCKER ARM COVER (WITHOUT TURBOCHARGER) [01E11]

KEY	PART NO.	PART NAME	QTY	REMARKS	
1	AR103811	SCREW WITH WASHER	8	(SUB FOR AR100124)	
2	AR73604	COVER	1		
3	AR100596	GASKET	1		

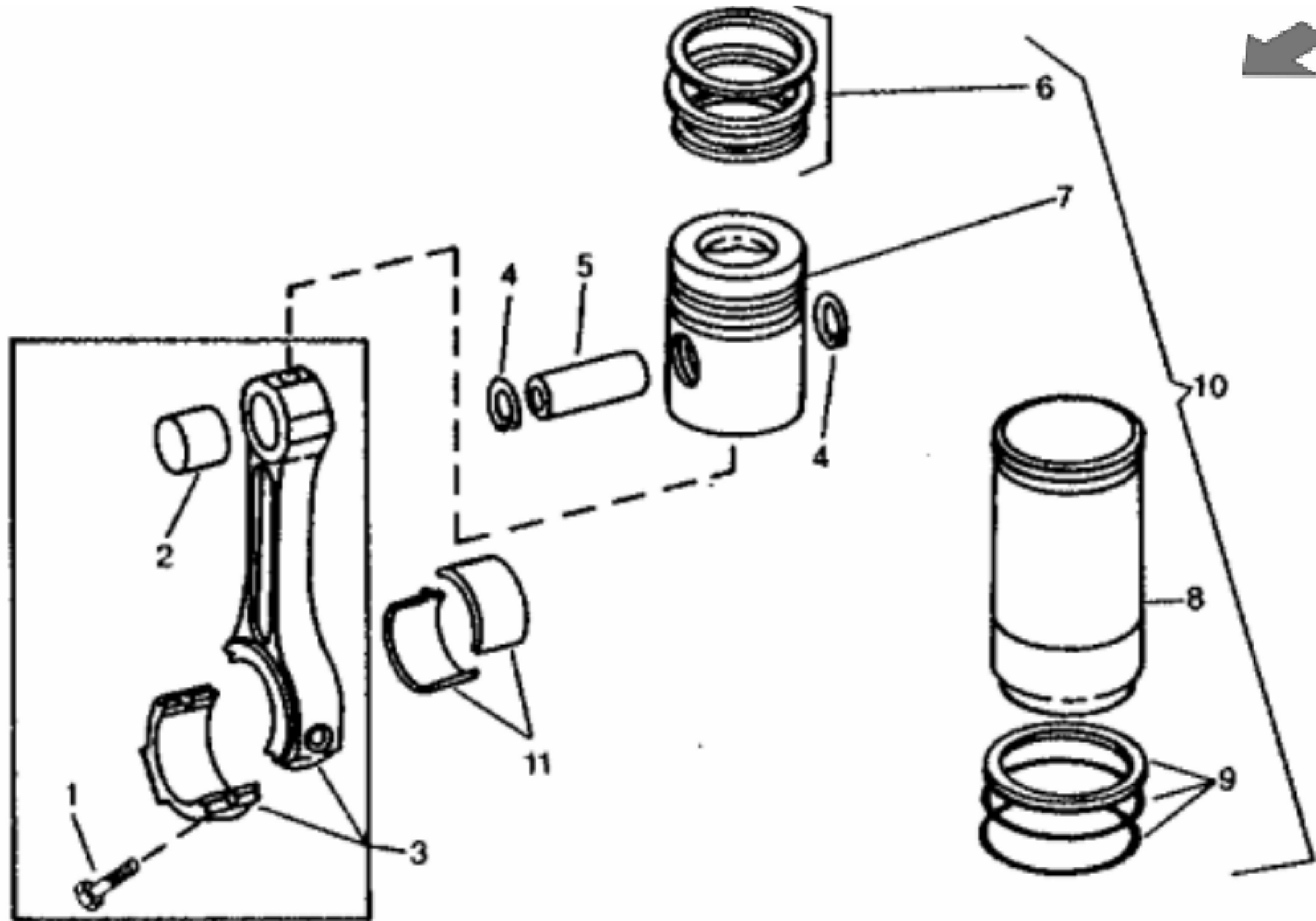


TP861



John Deere > Construction And Forestry >BACKHOE, LOADER >410B - BACKHOE, LOADER >410B Backhoe Loader >4 ENGINE 4 >CAMSHAFT AND VALVE ACTUATING MEANS 0402 >0402-6 - TIMING GEAR COVER [01E12]

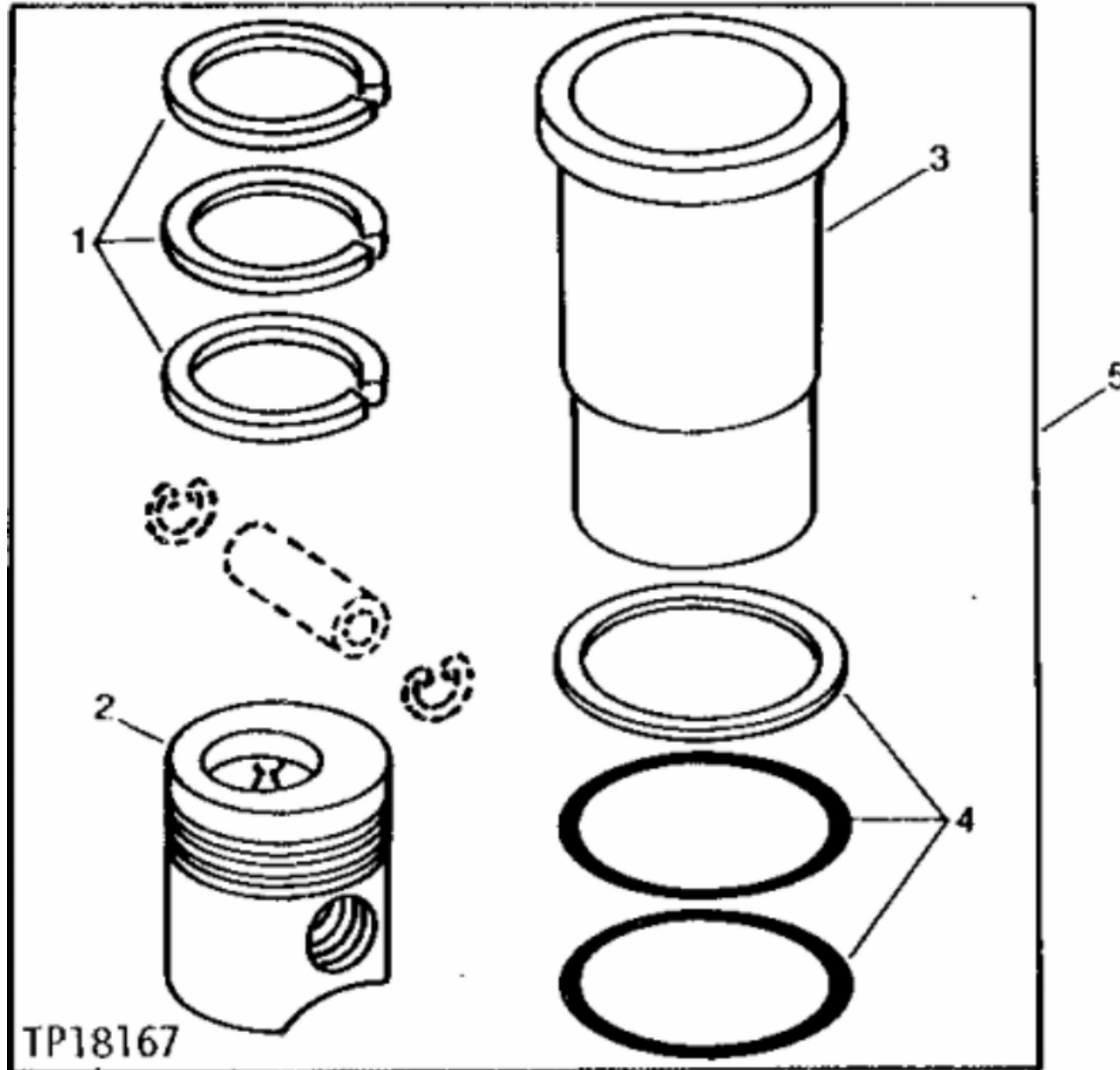
KEY	PART NO.	PART NAME	QTY	REMARKS
1	R122226	STUD	2	(SUB FOR R122226)
2	14H812	NUT	2	3/8"
3	24H1304	WASHER	AR	13/32" X 23/32" X 0.120"
4	19H2549	CAP SCREW	10	3/8" X 1-7/8"
5	R78366	GASKET	1	(SUB FOR R69260)
6	R126041	COVER	1	(SUB FOR T20362)
7	19H2284	CAP SCREW	3	3/8" X 7/8"
7	R122618	SCREW	2	(USE WITH R126041)
8	19H1726	CAP SCREW	1	3/8" X 2-1/4"
9	T20272	COVER	1	
10	T20273	GASKET	1	
11	15H275	PIPE PLUG	1	1/4"
12	19H3031	CAP SCREW	2	3/8" X 2-1/2"
13	AR58196	COVER	1	(MARKED R52880) (ALSO ORDER T20272, T20273, 15H275, 19H1726, (3) 19H2284 AND (4) 24H1304)
14	T20155	GASKET	1	



TP2835

John Deere > Construction And Forestry >BACKHOE, LOADER >410B - BACKHOE, LOADER >410B Backhoe Loader >4 ENGINE 4 >CONNECTING RODS AND PISTONS 0403 >0403-1 - CONNECTING ROD, PISTON, RINGS AND LINER [01E13]

KEY	PART NO.	PART NAME	QTY	REMARKS
1	R74194	SCREW	8	(USE WITH CONNECTING ROD MARKED R51727)
1	R80033	CAP SCREW	8	(USE WITH CONNECING ROD MARKED R80034)
2	R55647	BUSHING	4	
3	SE500747	CONNECTING ROD	4	(SUB FOR AR55978 AND RE21076) (REMANUFACTURED)
4	M41029	SNAP RING	8	
5	R125754	PISTON PIN	4	(SUB FOR R51731)
6	AR55759	PISTON RING KIT	4	
7	AR77762	PISTON	4	
8	T32343	CYLINDER LINER	4	(SUB FOR R80406)
9	AR71618	KIT	4	
10	AR78041	PISTON-LINER KIT	4	
11	AT21138	BEARING	4	STANDARD (SET OF (2) T20011)
11	.....	BEARING	4	( AT21122 NO LONGER AVAILABLE) 0.05 MM (.002") UNDERSIZE (SET OF (2) T23566)
11	AT21124	BEARING	4	0.25 MM (.010") UNDERSIZE (SET OF (2) T23568)
11	AT21126	BEARING	4	0.51 MM (.020") UNDERSIZE (SET OF (2) T23570)
11	AT21128	BEARING	4	0.76 MM (.030") UNDERSIZE (SET OF (2) T23572)



Thank you so much for reading.  
Please click the “Buy Now!”  
button below to download the  
complete manual.



After you pay.

You can download the most  
perfect and complete manual in  
the world immediately.

Our support email:

[ebooklibonline@outlook.com](mailto:ebooklibonline@outlook.com)