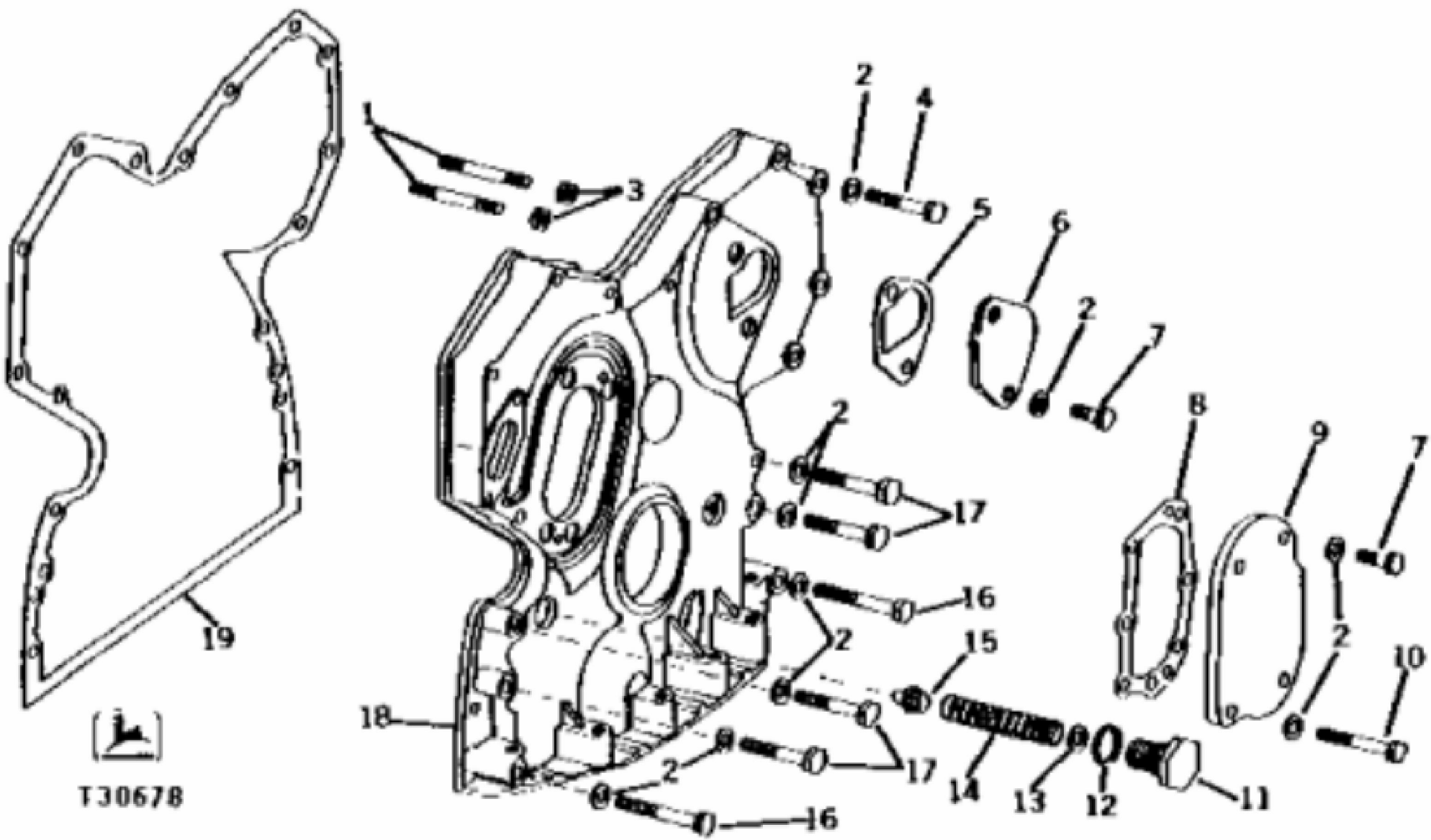


T45050

John Deere > Construction And Forestry >BACKHOE, LOADER >310B - BACKHOE, LOADER >310A, 310B Backhoe Loaders >4 ENGINE 4 >CAMSHAFTS AND VALVE ACTUATING MEANS 0402 >00402-2 -
ROCKER ARM COVER [01D02]

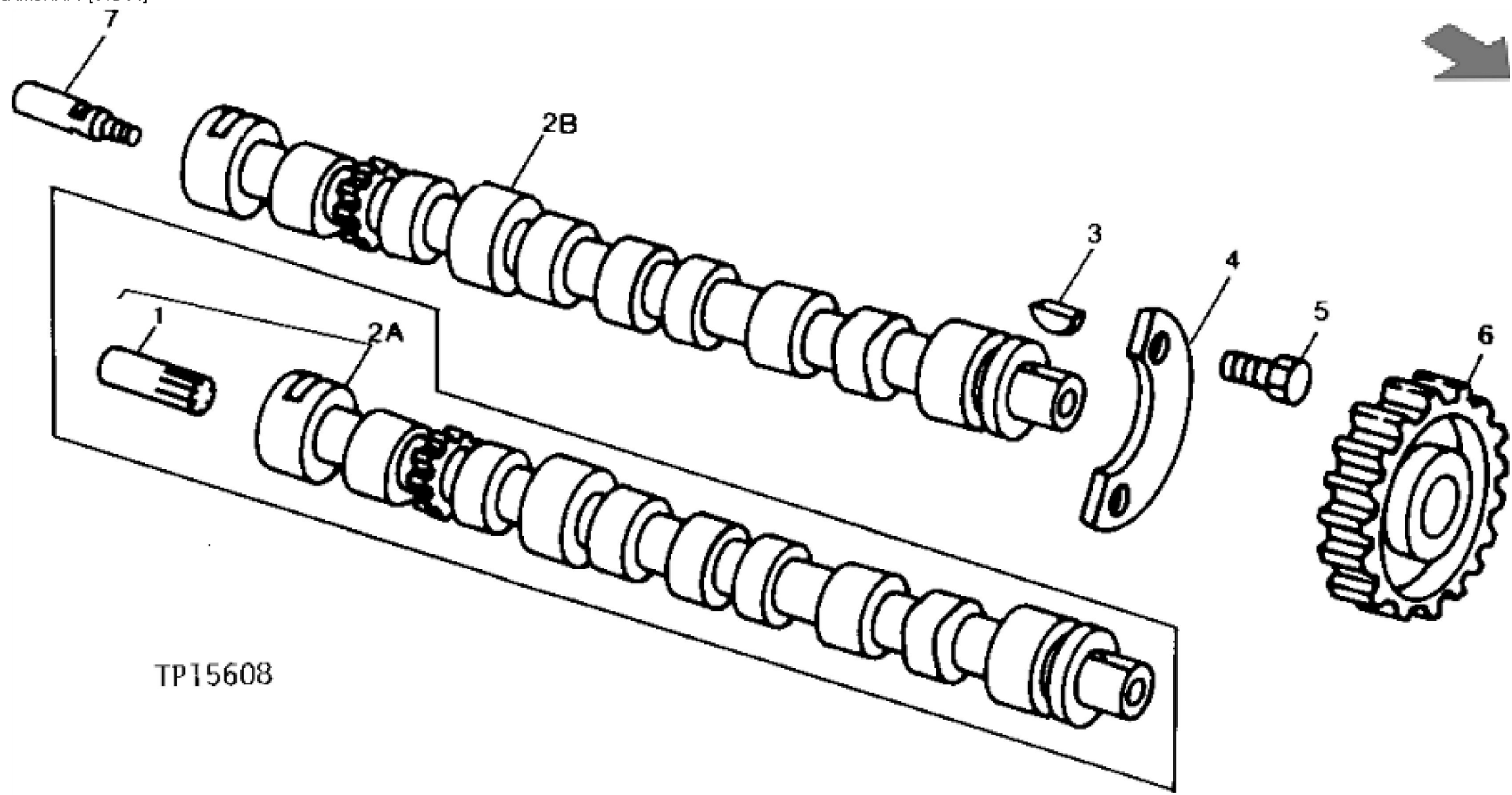
KEY	PART NO.	PART NAME	QTY	310A	310B	REMARKS	
1	R56463	O-RING	1	X	X	(SUB FOR R495R, THIS APPLICATION)	
2	AR103811	SCREW WITH WASHER	8	X		(SUB FOR AR45530, THIS APPLICATION) (SUB FOR AR100124)	
3	AT18015	VALVE COVER	1	X	X		
4	AR100596	GASKET	1	X		(SUB FOR T20075) (ALSO ORDER (8) AT100124)	




T30678

John Deere > Construction And Forestry >BACKHOE, LOADER >310B - BACKHOE, LOADER >310A, 310B Backhoe Loaders >4 ENGINE 4 >CAMSHAFTS AND VALVE ACTUATING MEANS 0402 >00402-3 - TIMING GEAR COVER [01D03]

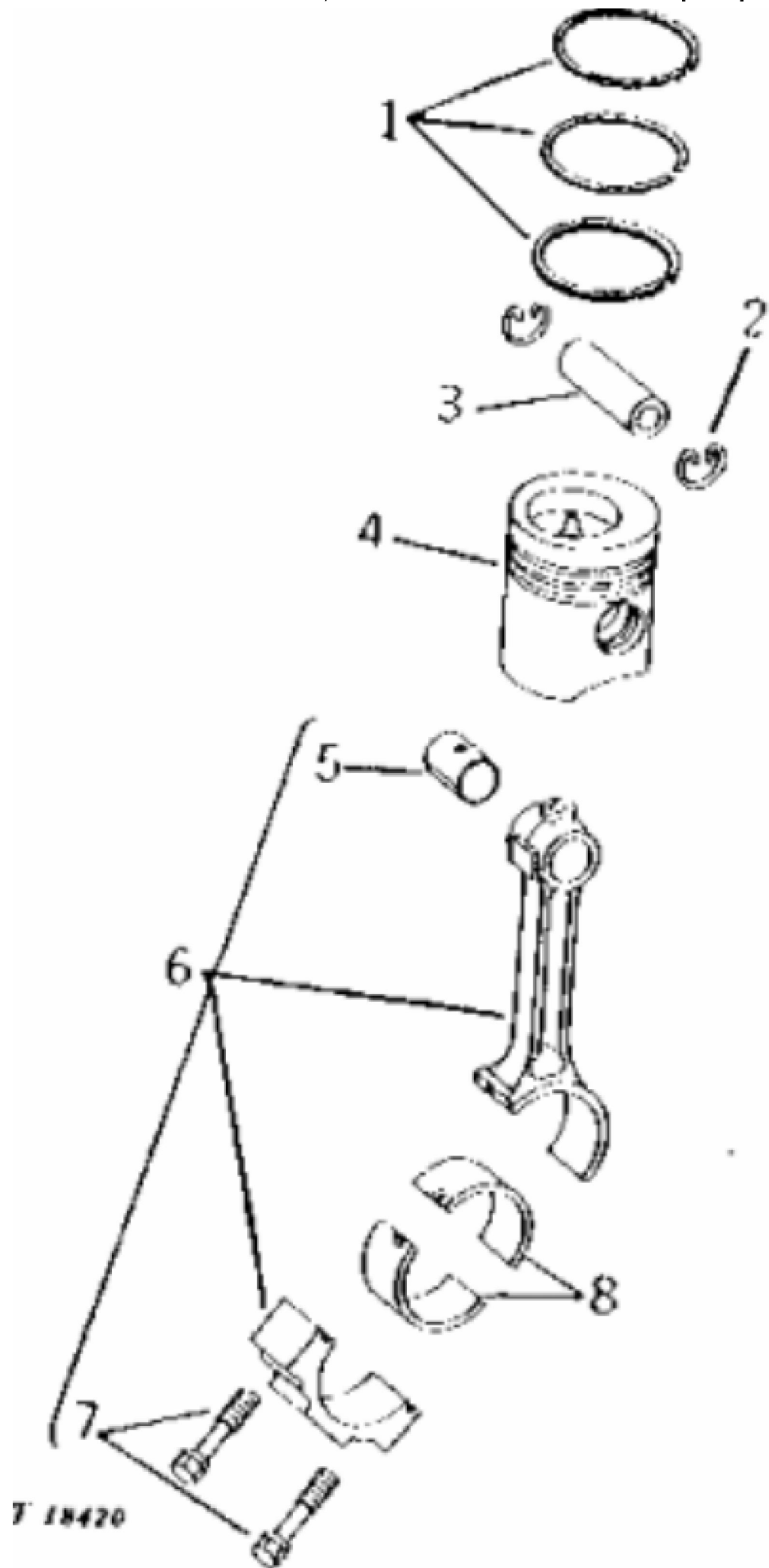
KEY	PART NO.	PART NAME	QTY	310A	310B	REMARKS
1	R122226	STUD	2	X	X	(SUB FOR R122226)
2	24H1304	WASHER	AR	X	X	13/32" X 23/32" X 0.120"
3	14H812	NUT	2	X	X	3/8"
4	19H2549	CAP SCREW	5	X	X	3/8" X 1-7/8"
5	R78366	GASKET	1	X		(SUB FOR R69260 AND T20364)
6	R126041	COVER	1	X	X	(SUB FOR T20362)
7	19H2284	CAP SCREW	3	X	X	3/8" X 7/8"
7	R124277	CAP SCREW	2	X	X	(USE WITH R126041) (SUB FOR R122618, THIS APPLICATION)
8	T20273	GASKET	1	X	X	
9	T20272	COVER	1	X	X	
10	19H1726	CAP SCREW	1	X	X	3/8" X 2-1/4"
11	T27657	FITTING PLUG	1	X	X	
12	A4827R	WASHER	1	X	X	
13	24H1290	WASHER	1	X	X	
14	T27658	SPRING	1	X	X	
15	R83169	VALVE	1	X	X	OIL PRESSURE RELIEF, (SUB FOR R51516)
16	19H3031	CAP SCREW	2	X	X	3/8" X 2-1/2"
17	19H2549	CAP SCREW	4	X	X	3/8" X 1-7/8"
18	AR58196	COVER	1	X	X	(MARKED R52880) (ALSO ORDER T20272, T20273, (3) 19H2284, 19H1726, (4) 24H1304 AND 15H275)
19	T20155	GASKET	1	X	X	



TP15608

John Deere > Construction And Forestry >BACKHOE, LOADER >310B - BACKHOE, LOADER >310A, 310B Backhoe Loaders >4 ENGINE 4 >CAMSHAFTS AND VALVE ACTUATING MEANS 0402 >00402-4 - CAMSHAFT [01D04]

KEY	PART NO.	PART NAME	QTY	310A	310B	REMARKS
1	T20071	DRIVE SHAFT	1	X	X	TACHOMETER, (USE WITH AT18049)
2A	AT18049	CAMSHAFT	1	X	X	WITH TACHOMETER DRIVE GEAR, (MARKED T20013) (SUB R82820 AND R81513)
2B	R82820	CAMSHAFT	1	X	X	
3	T28041	SHAFT KEY	1	X	X	
4	T20072	PLATE	1	X	X	
5	19H2676	CAP SCREW	2	X	X	3/8" X 1"
6	T20070	HELICAL GEAR	1	X	X	(48 TEETH)
7	R81513	DRIVE SHAFT	1	X	X	(USE WITH R82820)



T 18420

Thank you so much for reading.
Please click the “Buy Now!”
button below to download the
complete manual.



After you pay.

You can download the most
perfect and complete manual in
the world immediately.

Our support email:

ebooklibonline@outlook.com