

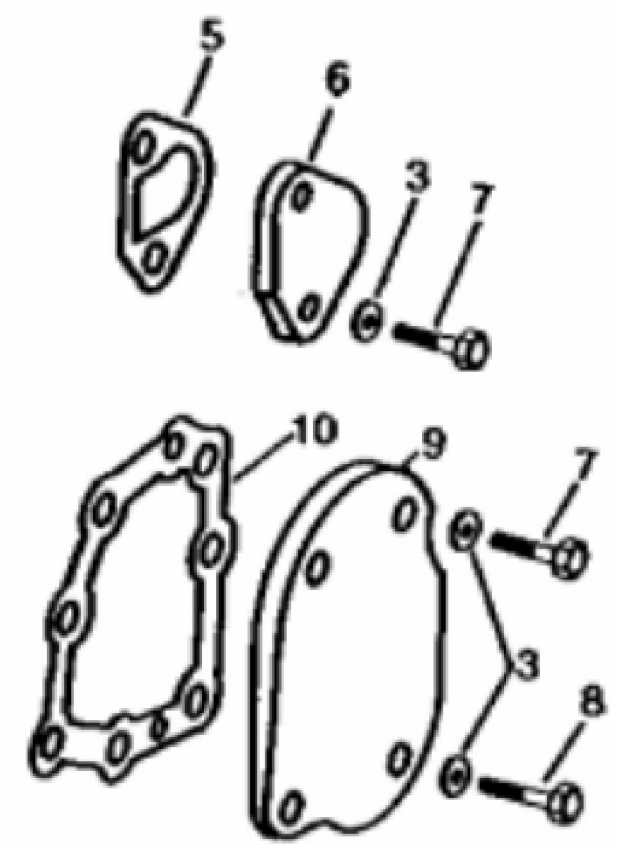
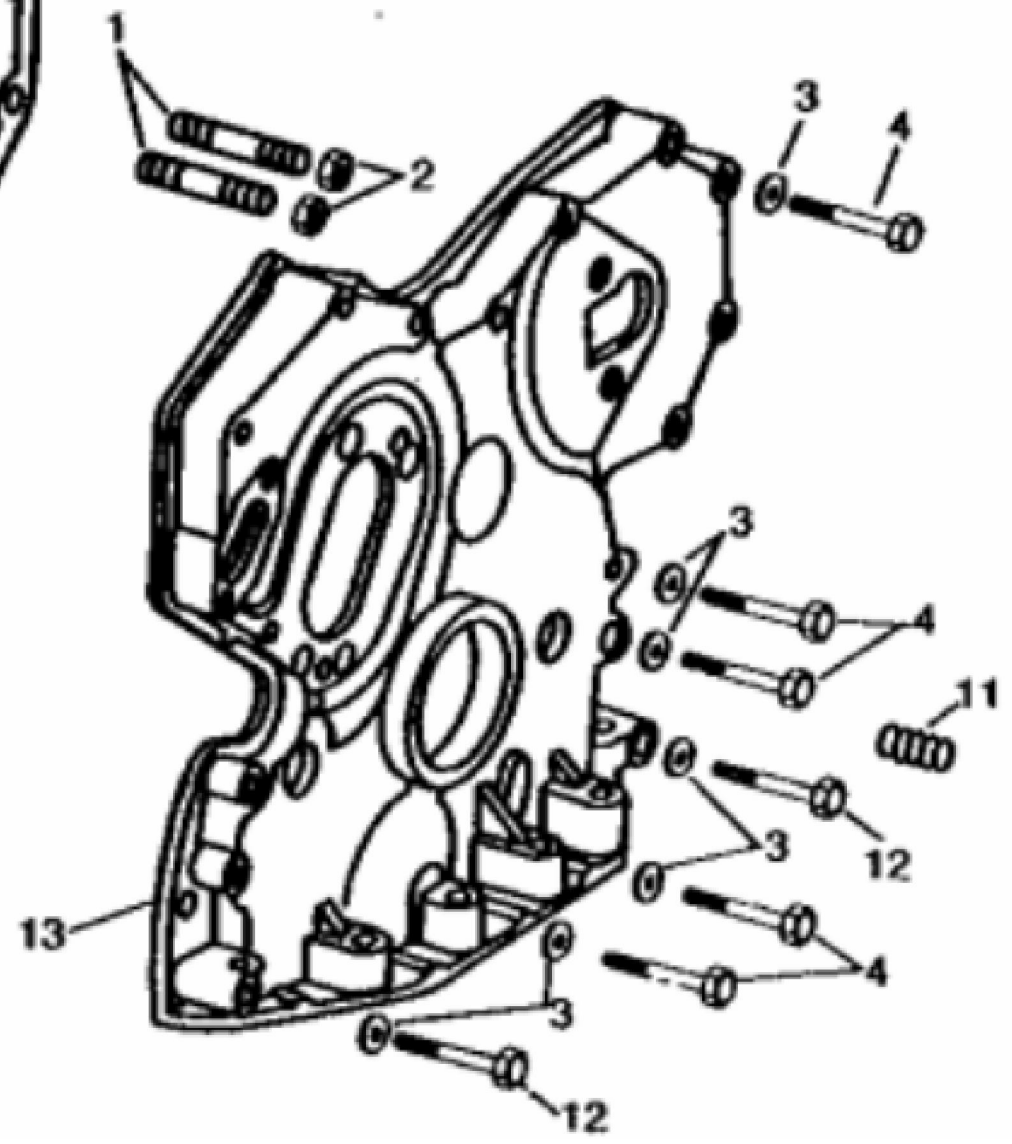
TP3697

John Deere > Construction And Forestry >BACKHOE, LOADER >210C - BACKHOE, LOADER >210C Backhoe Loader >04 ENGINE 4 >0402 CAMSHAFT AND VALVE ACTUATING MEANS >ST310685 -
ROCKER ARM COVER

KEY	PART NO.	PART NAME	QTY	REMARKS	
1	AR103811	SCREW WITH WASHER	8	(SUB FOR AR100124)	
2	AR73604	COVER	1		
3	R73521	GASKET	1	(SUB FOR AR100596)	

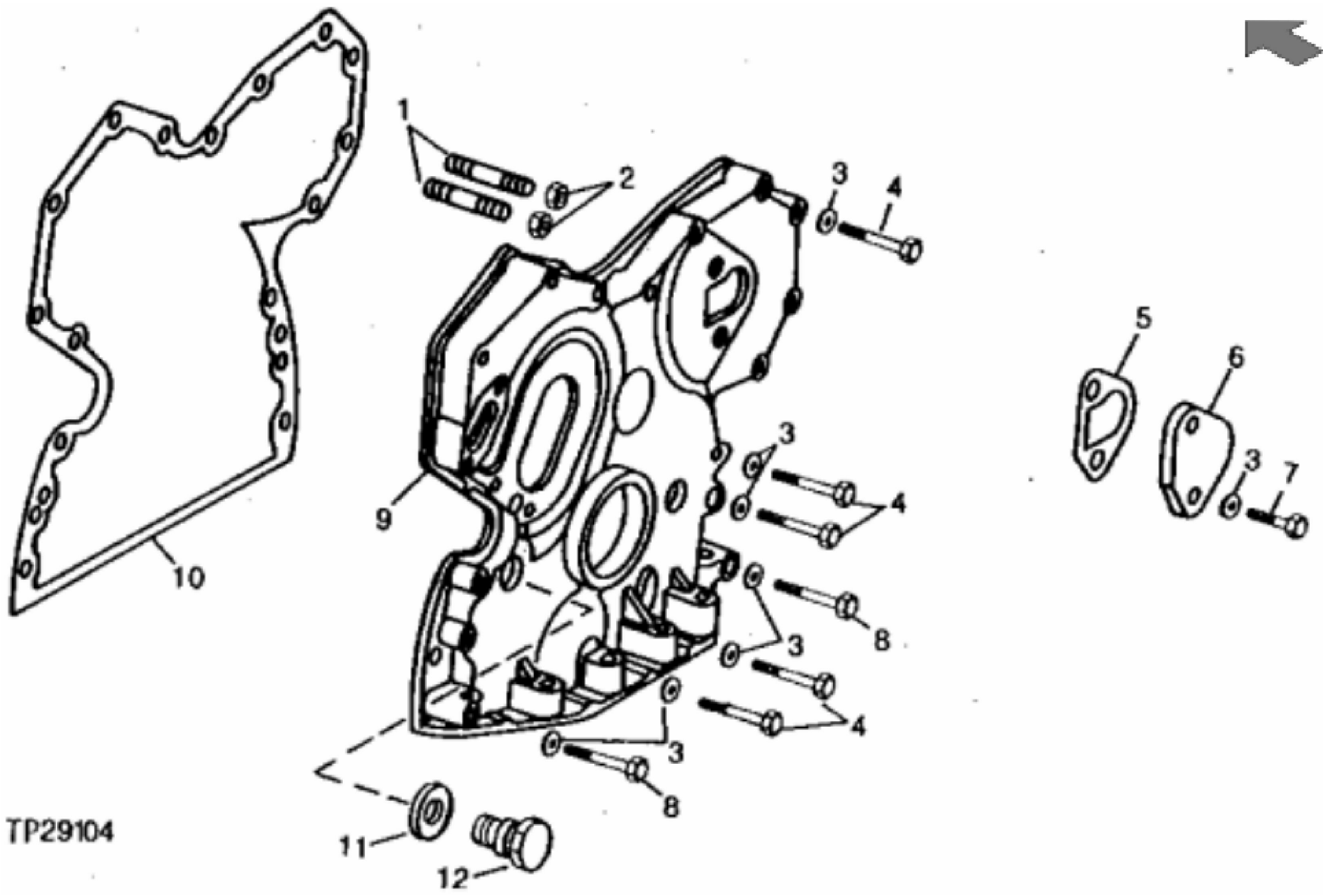


TP861



John Deere > Construction And Forestry >BACKHOE, LOADER >210C - BACKHOE, LOADER >210C Backhoe Loader >04 ENGINE 4 >0402 CAMSHAFT AND VALVE ACTUATING MEANS >ST310686 - TIMING GEAR COVER (- 299999)

KEY	PART NO.	PART NAME	QTY	REMARKS
1	R122226	STUD	2	(SUB FOR R122226)
2	12H304	LOCK WASHER	2	3/8"
2	14H812	NUT	2	3/8"
3	24H1304	WASHER	AR	13/32" X 23/32" X 0.120"
4	19H2549	CAP SCREW	10	3/8" X 1-7/8"
5	R78366	GASKET	1	
6	R126041	COVER	1	(SUB FOR T20362)
7	19H2284	CAP SCREW	3	3/8" X 7/8"
7	R124277	CAP SCREW	2	(SUB FOR R122618)
8	19H1819	CAP SCREW	1	3/8" X 2-1/8"
9	T20272	COVER	1	
10	T20273	GASKET	1	
11	15H275	PIPE PLUG	1	1/4"
12	19H3031	CAP SCREW	2	3/8" X 2-1/2"
13	AR58196	COVER	1	(MARKED R52880) (ALSO ORDER T20272, T20273, 15H275, 19H1726, (3) 19H2284 AND (4) 24H1304)
14	T20155	GASKET	1	



TP29104

John Deere > Construction And Forestry > BACKHOE, LOADER > 210C - BACKHOE, LOADER > 210C Backhoe Loader > 04 ENGINE 4 > 0402 CAMSHAFT AND VALVE ACTUATING MEANS > ST310687 - TIMING GEAR COVER (300000 -)

KEY	PART NO.	PART NAME	QTY	Engine Serial No.	REMARKS
1	R122226	STUD	2		(SUB FOR R122226)
2	N10215	LOCK NUT	2		9.525 mm (3/8"), (SUB FOR 14H812, THIS APPLICATION)
2	12H304	LOCK WASHER	AR		3/8"
3	24M7106	WASHER	AR		10 X 18 X 2.500 mm
4	19H3408	SCREW	5		3/8" X 1-3/4"
4	19H3693	SCREW	5		3/8" X 1-1/4"
5	R125066	GASKET	1		(SUB FOR R97773)
6	R126041	COVER	1		(SUB FOR T20362)
7	R124277	CAP SCREW	2		(SUB FOR R122618, THIS APPLICATION)
8	19H3733	SCREW	2		3/8" X 2-1/2"
9	RE39252	COVER	1		
10	R126513	GASKET	1		(SUB FOR R97454, R119269 OR R121314)
11	A4827R	WASHER	1		
12	T27657	FITTING PLUG	1		
13	19H1819	CAP SCREW	1	426684-_____	3/8" X 2-1/8"

Thank you so much for reading.
Please click the “Buy Now!”
button below to download the
complete manual.



After you pay.

You can download the most
perfect and complete manual in
the world immediately.

Our support email:

ebooklibonline@outlook.com