

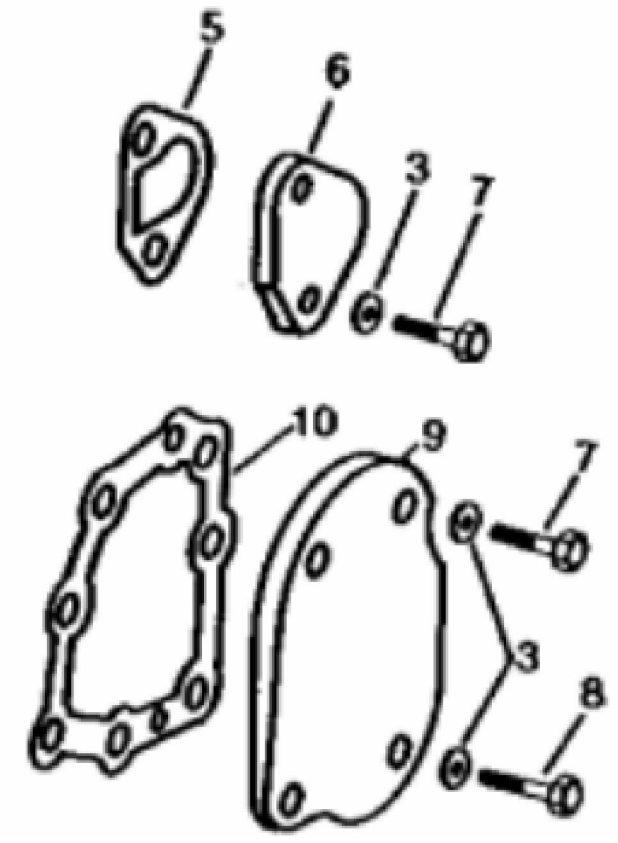
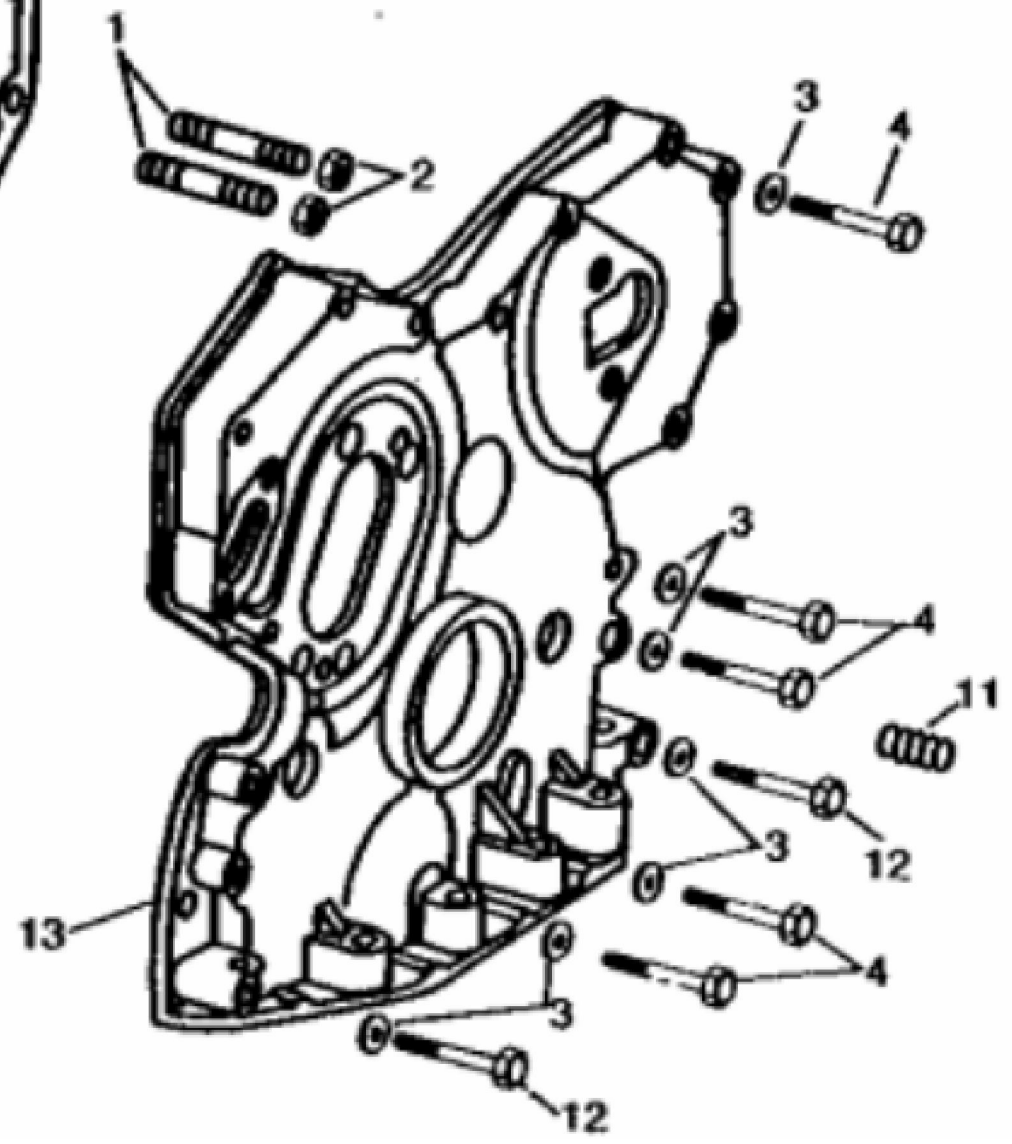
TP3697

John Deere > Construction And Forestry >BACKHOE, LOADER >310C - BACKHOE, LOADER >310C Backhoe Loader >4 ENGINE 4 >CAMSHAFT AND VALVE ACTUATING MEANS 0402 >0402-4 - ROCKER ARM COVER [01E19]

| KEY | PART NO. | PART NAME | QTY | REMARKS | |
|-----|----------|-------------------|-----|--------------------|--|
| 1 | AR103811 | SCREW WITH WASHER | 8 | (SUB FOR AR100124) | |
| 2 | AR73604 | COVER | 1 | | |
| 3 | AR100596 | GASKET | 1 | | |

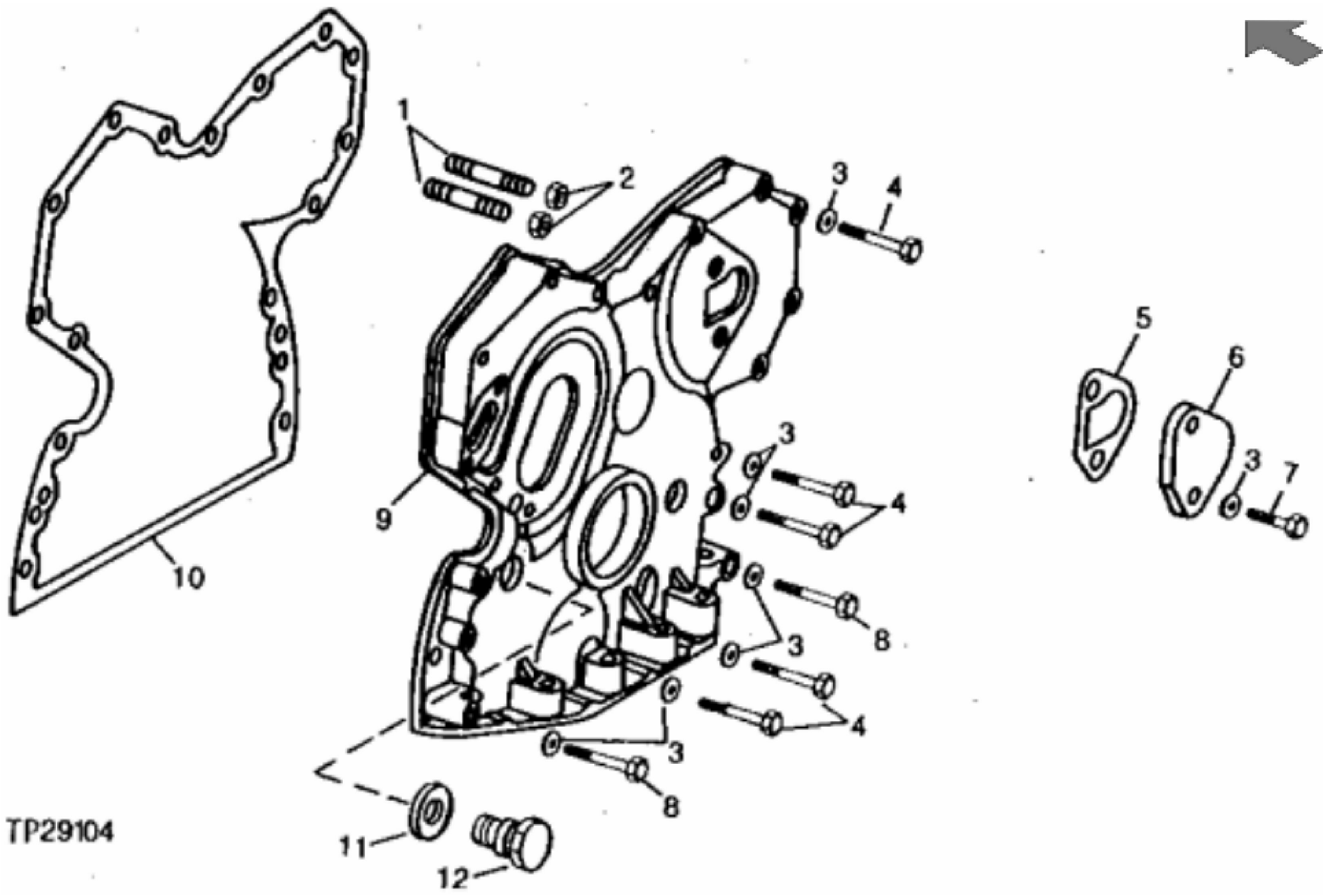


TP861



John Deere > Construction And Forestry >BACKHOE, LOADER >310C - BACKHOE, LOADER >310C Backhoe Loader >4 ENGINE 4 >CAMSHAFT AND VALVE ACTUATING MEANS 0402 >0402-5 - TIMING GEAR COVER (ENGINE SERIAL NO. -299999) [01E20]

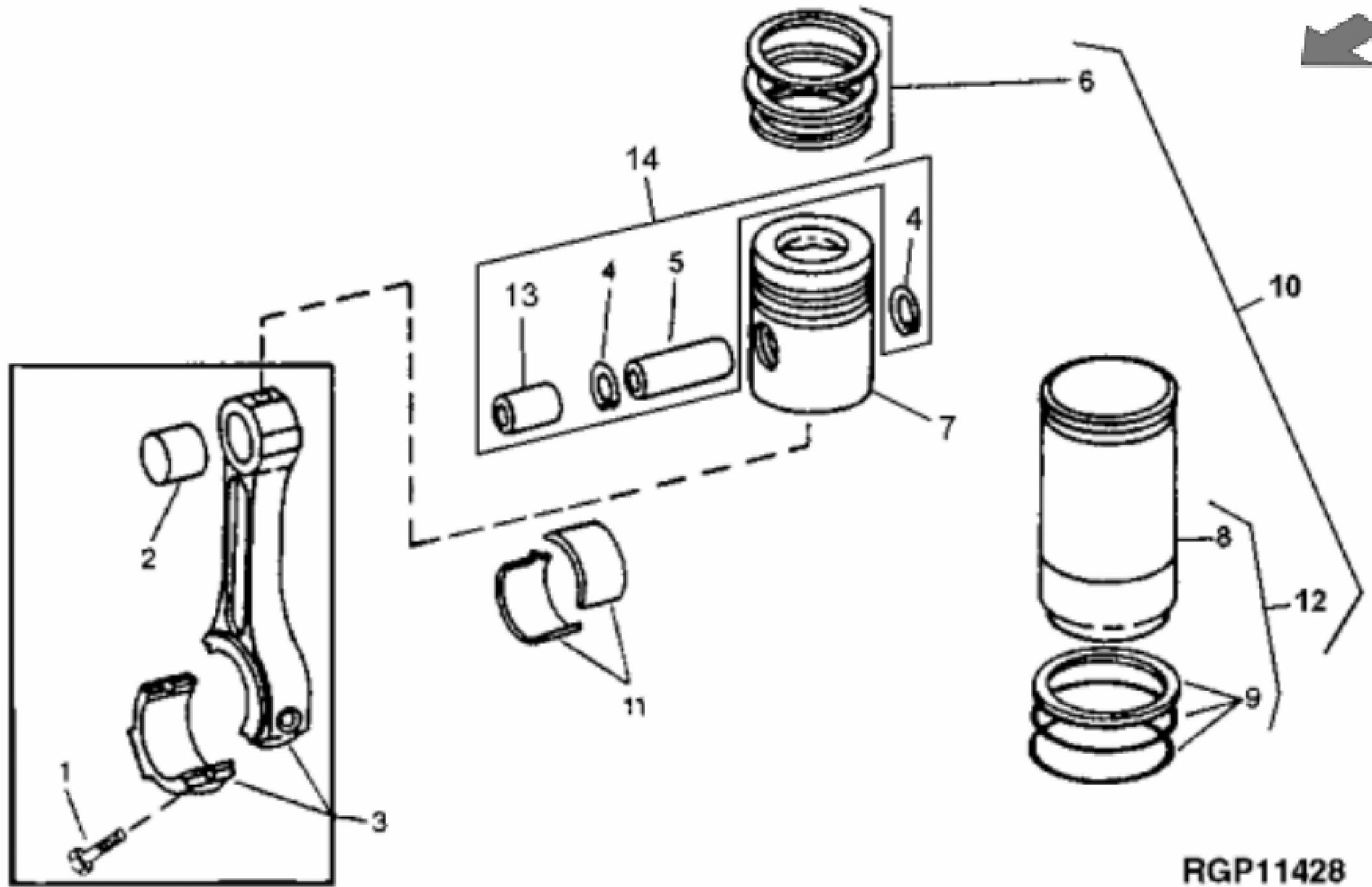
| KEY | PART NO. | PART NAME | QTY | REMARKS |
|-----|----------|-------------|-----|---|
| 1 | R122226 | STUD | 2 | (SUB FOR R122226) |
| 2 | 12H304 | LOCK WASHER | 2 | 3/8" |
| 2 | 14H812 | NUT | 2 | 3/8" |
| 3 | 24H1304 | WASHER | AR | 13/32" X 23/32" X 0.120" |
| 4 | 19H3065 | CAP SCREW | 10 | 3/8" X 2" |
| 5 | R78366 | GASKET | 1 | |
| 6 | R126041 | COVER | 1 | (SUB FOR T20362) |
| 7 | 19H2284 | CAP SCREW | 3 | 3/8" X 7/8" |
| 7 | R124277 | CAP SCREW | 2 | (USE WITH R126041) (SUB FOR R122618, THIS APPLICATION) |
| 8 | 19H1726 | CAP SCREW | 1 | 3/8" X 2-1/4" |
| 9 | T20272 | COVER | 1 | |
| 10 | T20273 | GASKET | 1 | |
| 11 | 15H275 | PIPE PLUG | 1 | 1/4" |
| 12 | 19H3031 | CAP SCREW | 2 | 3/8" X 2-1/2" |
| 13 | AR58196 | COVER | 1 | (MARKED R52880) (ALSO ORDER T20272, T20273, 15H275, 19H1726, (3) 19H2284 AND (4) 24H1304) |
| 14 | T20155 | GASKET | 1 | |



TP29104

John Deere > Construction And Forestry >BACKHOE, LOADER >310C - BACKHOE, LOADER >310C Backhoe Loader >4 ENGINE 4 >CAMSHAFT AND VALVE ACTUATING MEANS 0402 >0402-6 - TIMING GEAR COVER (ENGINE SERIAL NO. 300000-) [01E21]

| KEY | PART NO. | PART NAME | QTY | REMARKS |
|-----|----------|--------------|-----|--------------------------------------|
| 1 | R122226 | STUD | 2 | (SUB FOR R122226) |
| 2 | 14H812 | NUT | 2 | 3/8" |
| 2 | 12H304 | LOCK WASHER | 2 | 3/8" |
| 3 | 24H1304 | WASHER | AR | 13/32" X 23/32" X 0.120" |
| 4 | 19H2549 | CAP SCREW | 5 | 3/8" X 1-7/8" |
| 4 | 19H2545 | CAP SCREW | 5 | 3/8" X 1-3/8", (SUB FOR 19H2545) |
| 5 | R125066 | GASKET | 1 | (SUB FOR R97773) |
| 6 | R126041 | COVER | 1 | (SUB FOR T20362) |
| 7 | R124277 | CAP SCREW | 2 | (SUB FOR R122618, THIS APPLICATION) |
| 8 | 19H3031 | CAP SCREW | 2 | 3/8" X 2-1/2" |
| 9 | RE39252 | COVER | 1 | WITH INSERTS, (SUB FOR RE27895) |
| 10 | R126513 | GASKET | 1 | (SUB FOR R97454, R119269 OR R121314) |
| 11 | A4827R | WASHER | 1 | |
| 12 | T27657 | FITTING PLUG | 1 | |



RGP11428

Thank you so much for reading.
Please click the “Buy Now!”
button below to download the
complete manual.



After you pay.

You can download the most
perfect and complete manual in
the world immediately.

Our support email:

ebooklibonline@outlook.com