

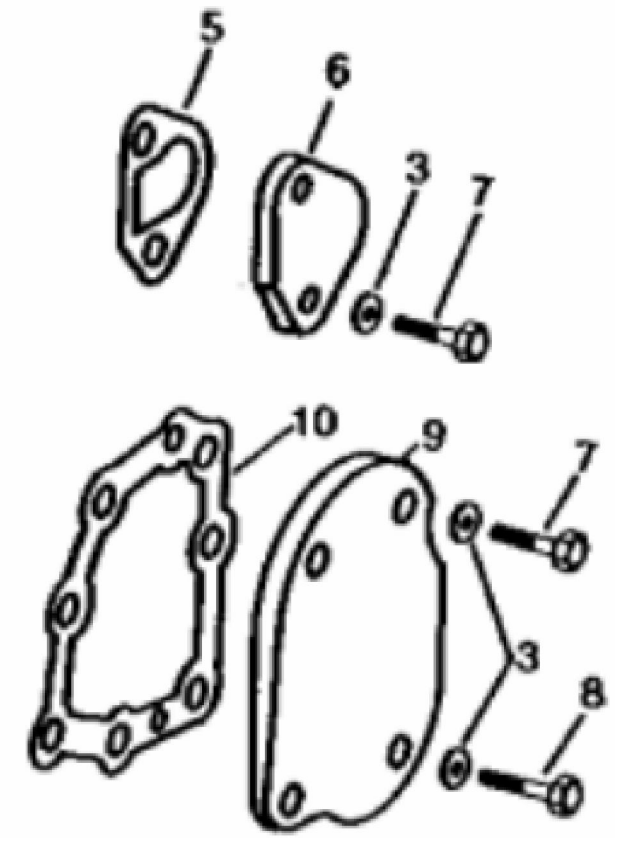
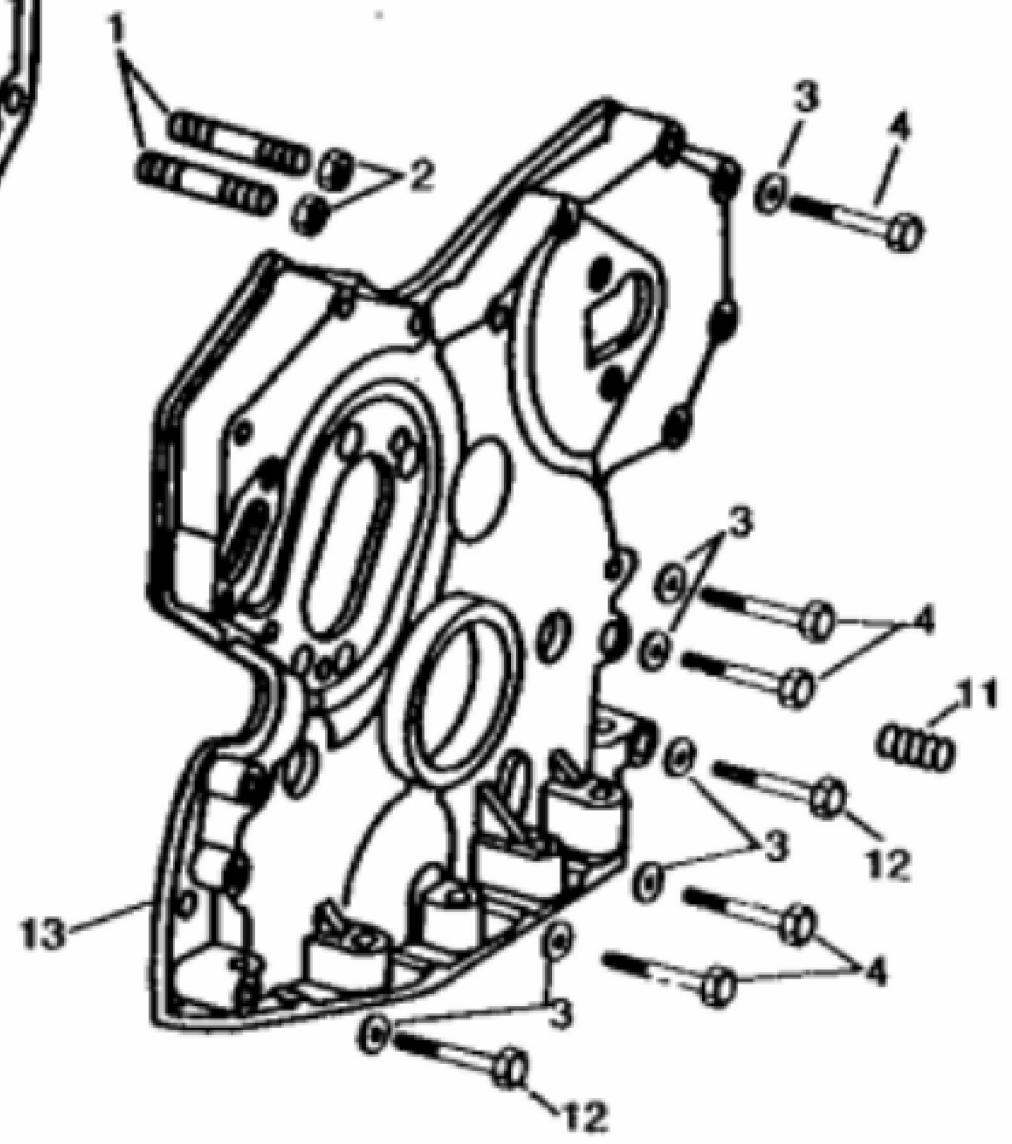
TP3697

John Deere > Construction And Forestry >BACKHOE, LOADER >315C - BACKHOE, LOADER >315C Sideshift Backhoe Loader >4 ENGINE 4 >CAMSHAFT AND VALVE ACTUATING MEANS 0402 >0402-4 -
ROCKER ARM COVER [01E19]

KEY	PART NO.	PART NAME	QTY	REMARKS	
1	AR103811	SCREW WITH WASHER	8	(SUB FOR AR100124)	
2	AR73604	COVER	1		
3	AR100596	GASKET	1		

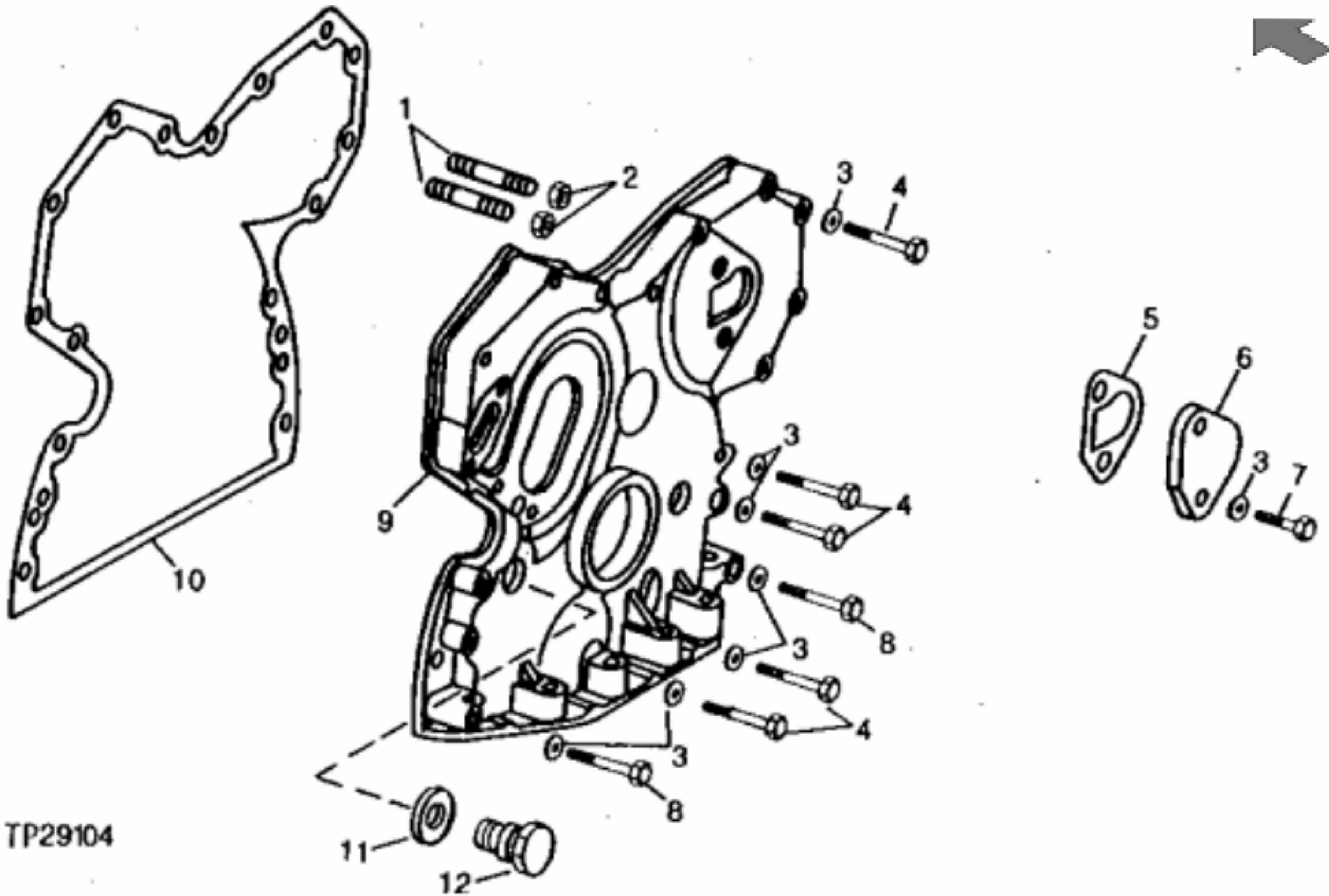


TP861



John Deere > Construction And Forestry >BACKHOE, LOADER >315C - BACKHOE, LOADER >315C Sideshift Backhoe Loader >4 ENGINE 4 >CAMSHAFT AND VALVE ACTUATING MEANS 0402 >0402-5 - TIMING GEAR COVER (ENGINE SERIAL NO. -299999) [01E20]

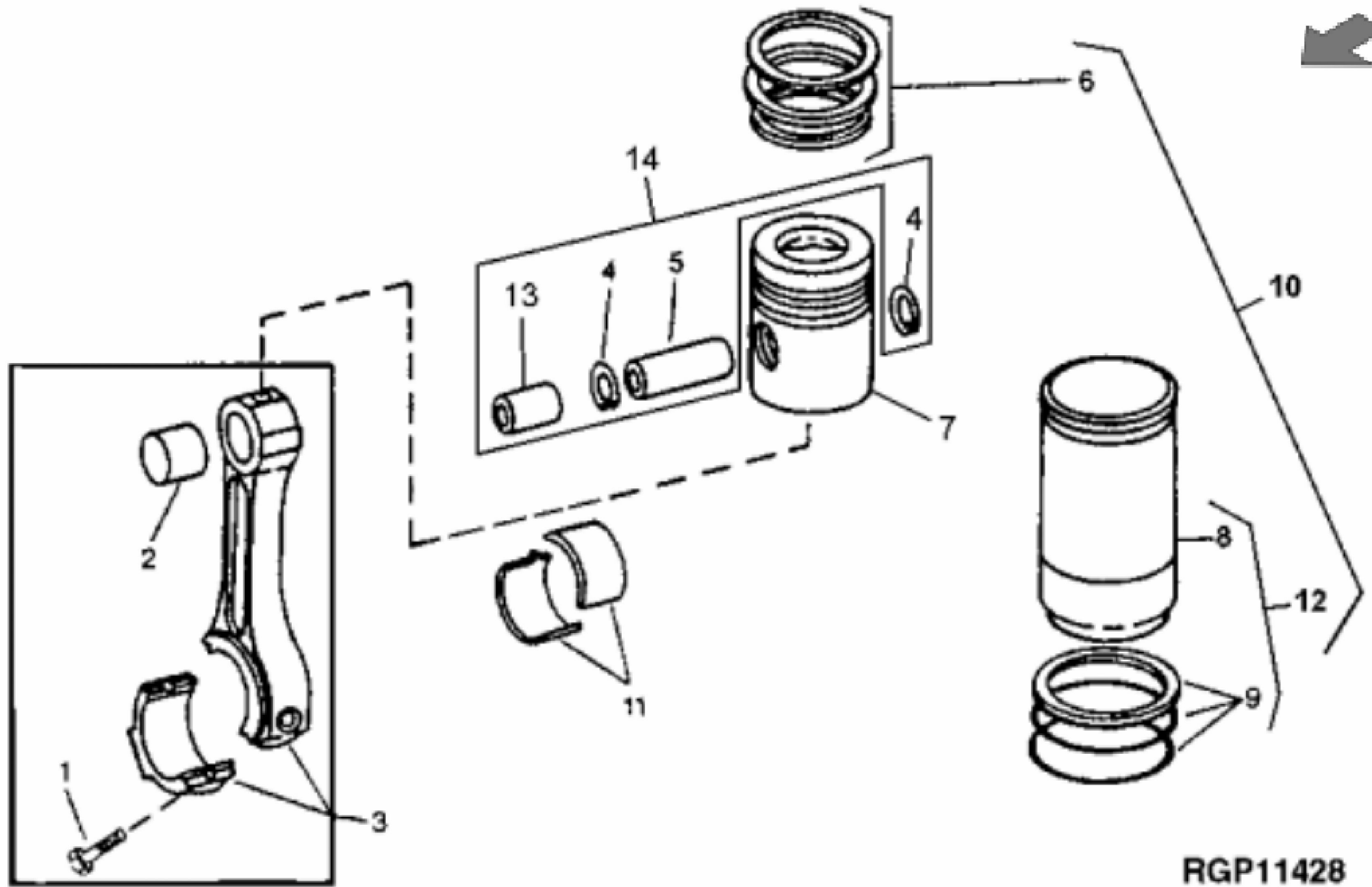
KEY	PART NO.	PART NAME	QTY	REMARKS
1	R122226	STUD	2	(SUB FOR R122226)
2	12H304	LOCK WASHER	2	3/8"
2	14H812	NUT	2	3/8"
3	24H1304	WASHER	AR	13/32" X 23/32" X 0.120"
4	19H3065	CAP SCREW	10	3/8" X 2"
5	R78366	GASKET	1	
6	R126041	COVER	1	(SUB FOR T20362)
7	R124277	CAP SCREW	3	(SUB FOR R122618, THIS APPLICATION)
8	19H1819	CAP SCREW	1	3/8" X 2-1/8"
9	T20272	COVER	1	
10	T20273	GASKET	1	
11	15H275	PIPE PLUG	1	1/4"
12	19H3031	CAP SCREW	2	3/8" X 2-1/2"
13	AR58196	COVER	1	(MARKED R52880) (ALSO ORDER T20272, T20273, 15H275, 19H1726, (3) 19H2284 AND (4) 24H1304)
14	T20155	GASKET	1	



TP29104

John Deere > Construction And Forestry >BACKHOE, LOADER >315C - BACKHOE, LOADER >315C Sideshift Backhoe Loader >4 ENGINE 4 >CAMSHAFT AND VALVE ACTUATING MEANS 0402 >0402-6 - TIMING GEAR COVER (ENGINE SERIAL NO. 300000-) [01E21]

KEY	PART NO.	PART NAME	QTY	REMARKS
1	R122226	STUD	2	(SUB FOR R122226)
2	14H812	NUT	2	3/8"
2	12H304	LOCK WASHER	2	3/8"
3	24H1304	WASHER	AR	13/32" X 23/32" X 0.120"
4	19H2549	CAP SCREW	10	3/8" X 1-7/8"
5	R125066	GASKET	1	(SUB FOR R97773)
6	R126041	COVER	1	(SUB FOR T20362)
7	R124277	CAP SCREW	2	(SUB FOR R122618, THIS APPLICATION)
8	19H3031	CAP SCREW	2	3/8" X 2-1/2"
9	RE39252	COVER	1	WITH INSERTS, (SUB FOR RE27895)
10	R126513	GASKET	1	(SUB FOR R97454, R119269 OR R121314)
11	A4827R	WASHER	1	
12	T27657	FITTING PLUG	1	



RGP11428

Thank you so much for reading.
Please click the “Buy Now!”
button below to download the
complete manual.



After you pay.

You can download the most
perfect and complete manual in
the world immediately.

Our support email:

ebooklibonline@outlook.com