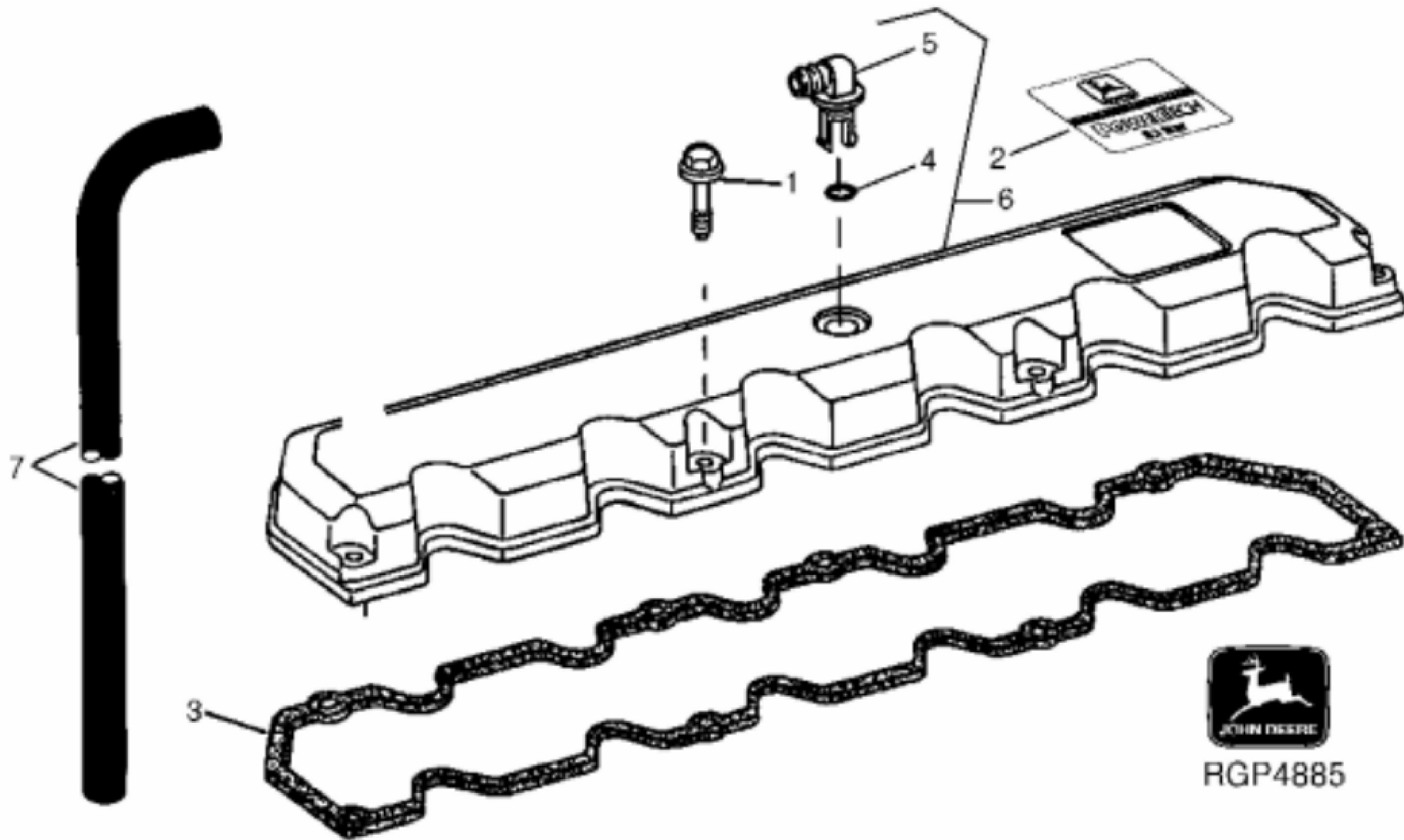


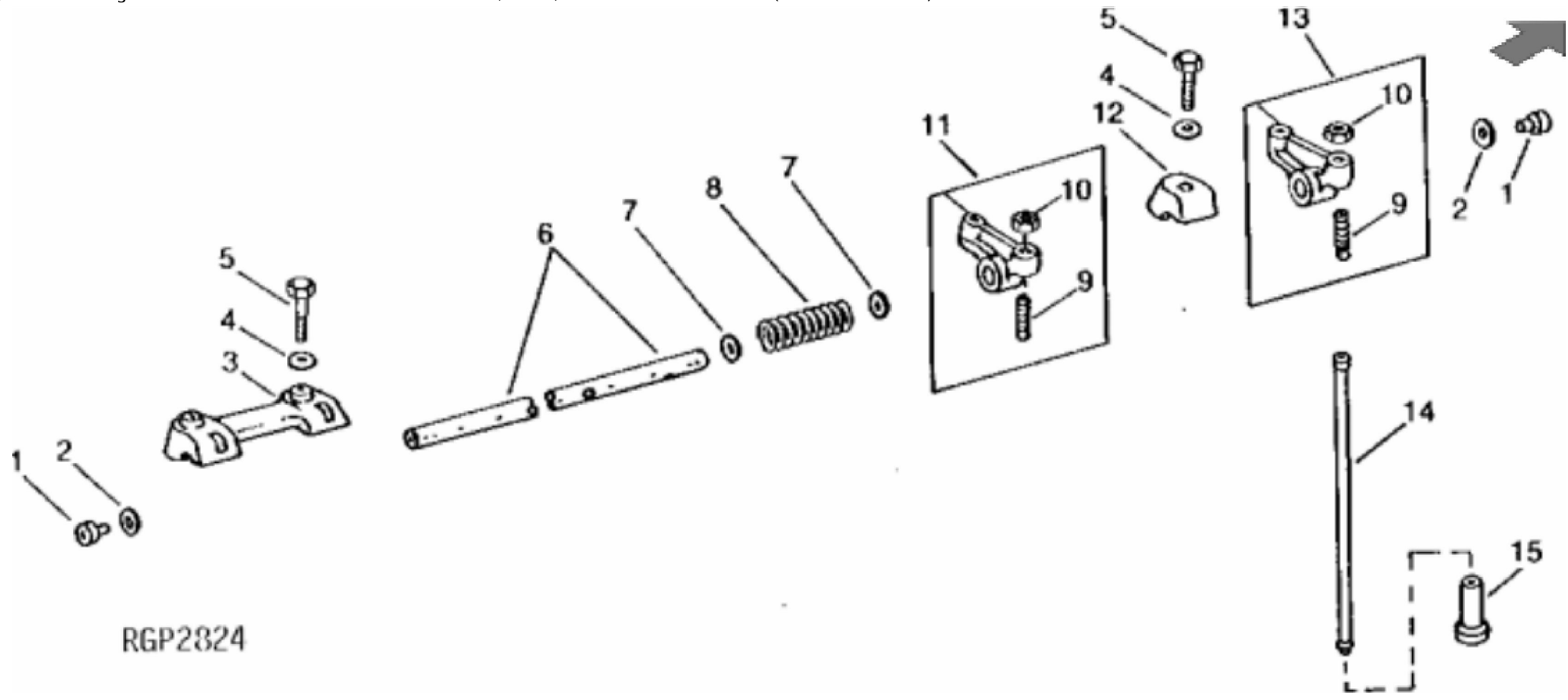
RGP4443

KEY	PART NO.	PART NAME	QTY	REMARKS
1	T20129	CAP	12	
2	T20077	RETAINER	24	
3	R136320	CAP	12	(SUB FOR R104534)
4	R91822	SPRING	12	
5	R102882	SHIELD	6	(EXHAUST VALVE)
6	R121491	CAP SCREW	7	(MARKED "SPECIAL")
7	R121490	CAP SCREW	8	(MARKED "SPECIAL")
8	R121320	CAP SCREW	6	(MARKED "SPECIAL")
9	15H690	PIPE PLUG	10	3/4"
10	15H584	PIPE PLUG	2	1/2"
11	AT107509	PLUG	1	
12	R119132	VALVE SEAT INSERT	6	(EXHAUST VALVE)
13	R121193	VALVE SEAT INSERT	6	(INTAKE VALVE)
14	34H387	SPRING PIN	1	3/16" X 3/4"
15	RE501737	PIPE PLUG	1	(SUB FOR R76491)
16	R84618	INTAKE VALVE	6	STD
16	R93308	INTAKE VALVE	AR	0.08MM (.003") OS
16	R93312	INTAKE VALVE	AR	0.38MM (.015") OS
16	R93314	INTAKE VALVE	AR	0.76MM (.030") OS
17	R84619	EXHAUST VALVE	6	STD
17	R93311	EXHAUST VALVE	AR	0.08MM (.003") OS
17	R93313	EXHAUST VALVE	AR	0.38MM (.015") OS
17	R93315	EXHAUST VALVE	AR	0.76MM (.030") OS
18	RE57750	CYLINDER HEAD	1	(MARKED R122419)
19	RE55475	ENGINE CYLINDER HEAD GASKET	1	
20	19H2367	CAP SCREW	1	5/8" X 3/4"
21	R121489	CAP SCREW	5	(MARKED "SPECIAL")
..	RG24026	BOLT KIT	1	(SPECIAL HEAD BOLTS) (CONTAINS (5) R121489, (6) R121320, (7) R121491 AND (8) R121490)



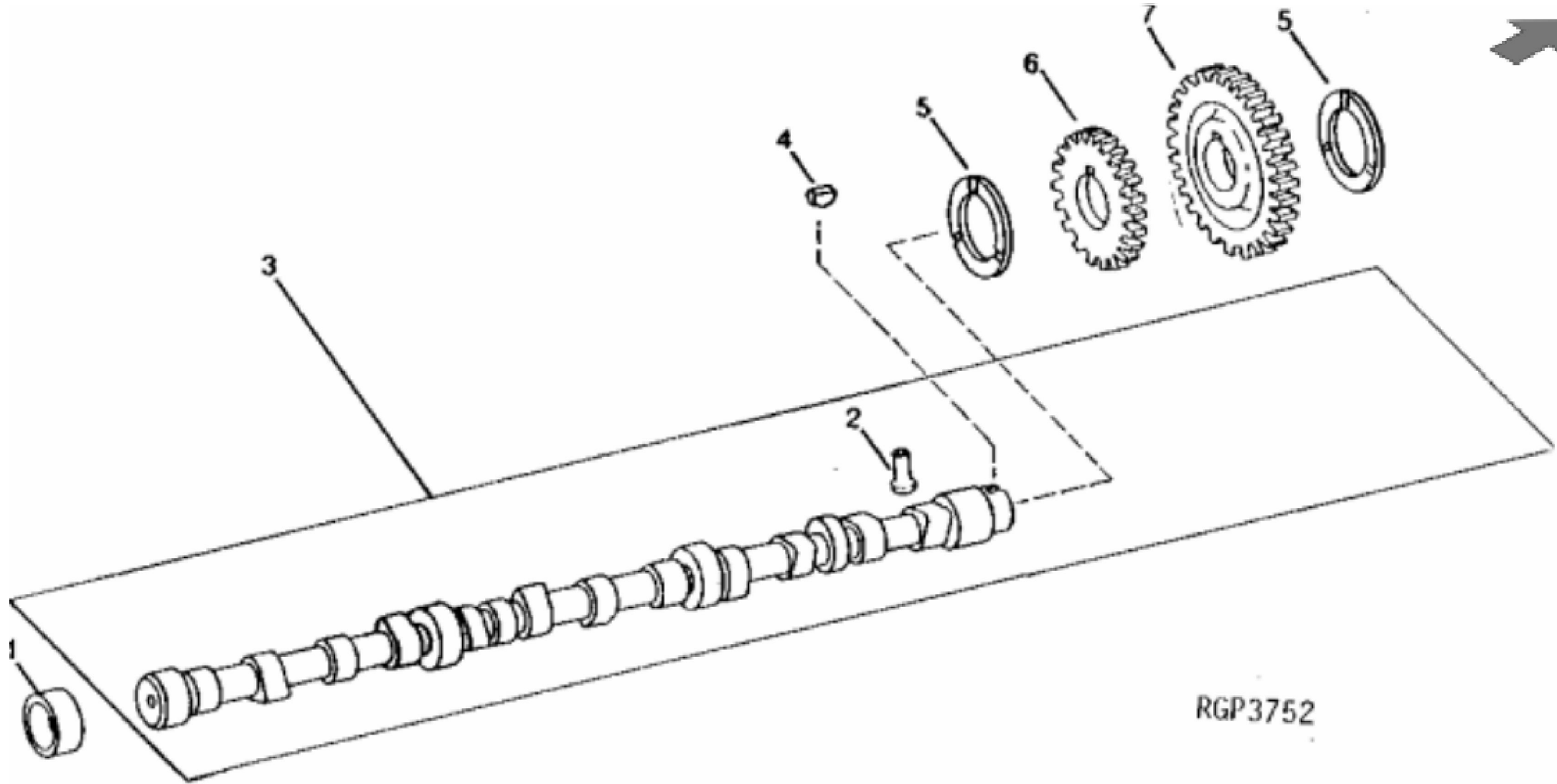
RGP4885

KEY	PART NO.	PART NAME	QTY	REMARKS	
1	RE57632	SCREW WITH WASHER	8		
2	R116932	MEDALLION	1		
3	RE54368	GASKET	1		
4	R72328	O-RING	1		
5	R120467	ELBOW FITTING	1		
6	RE70023	COVER	1		
7	TY22450	BULK HOSE	AR		
..	R72659	CLAMP	1		
..	TY24446	ADHESIVE	1		



RGP2324

KEY	PART NO.	PART NAME	QTY	REMARKS	
1	R54565	PLUG	2		
2	R26081	WASHER	2		
3	R136083	CLAMP	2	(SUB FOR R65553)	
4	R26559	WASHER	6		
5	19H1740	CAP SCREW	6	7/16" X 1-3/4"	
6	R70826	ROCKER ARM SHAFT	1		
7	R71208	WASHER	10		
8	R26079	SPRING	5		
9	R27443	SET SCREW	12		
10	14H1080	NUT	12	3/8"	
11	RE24045	ROCKER ARM	6	(E - EXHAUST VALVE I - INTAKE VALVE) (1E, 2I, 3E, 4I, 5E, 6I), (RH)	
12	R26748	CLAMP	2		
13	RE24046	ROCKER ARM	6	(E - EXHAUST VALVE I - INTAKE VALVE) (1I, 2E, 3I, 4E, 5I, 6E), (LH)	
14	R85027	PUSH ROD	12		
15	R110126	FOLLOWER	12		



RGP3752

Thank you so much for reading.
Please click the “Buy Now!”
button below to download the
complete manual.



After you pay.

You can download the most
perfect and complete manual in
the world immediately.

Our support email:

ebooklibonline@outlook.com