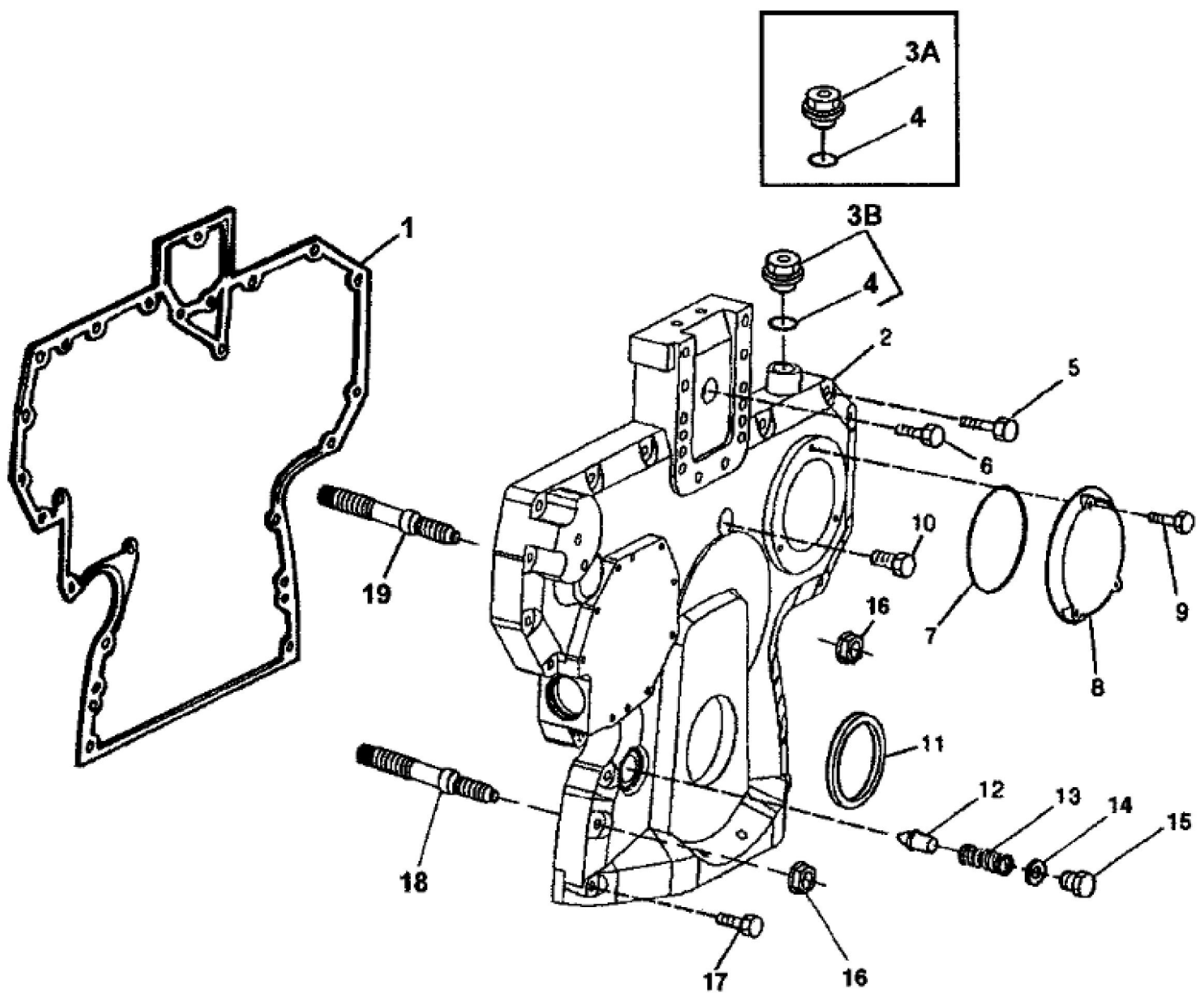


John Deere > Construction And Forestry >BACKHOE, LOADER >315SE - BACKHOE, LOADER >310E, 310SE and 315SE Backhoe Loaders >04A ENGINE 4045TT056, 4045DT055 >0400A ENGINE 4045TT056, 4045DT055 4045TT056, 4045DT055 >ST294335 - 1103 VALVE COVER

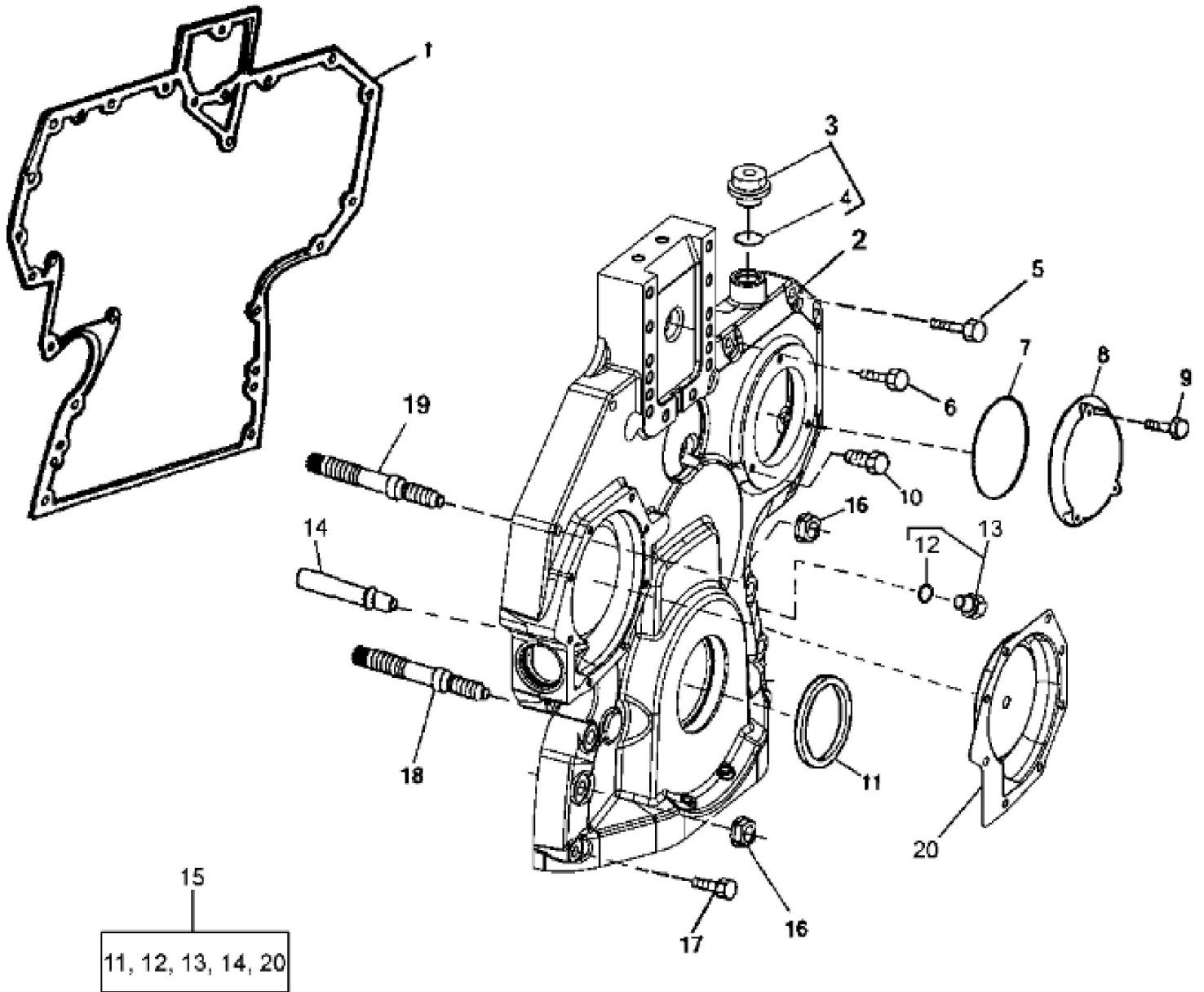
| KEY | PART NO. | PART NAME | QTY | REMARKS | |
|-----|----------|-------------|-----|------------------|--|
| 1 | R521401 | MEDALLION | 1 | SUB FOR R116324 | |
| 2 | H23125 | PLUG | 4 | | |
| 3 | R123574 | NUT | 4 | | |
| 4 | R123575 | O-RING | 4 | | |
| 5 | R524480 | GASKET | 1 | SUB FOR R123542 | |
| 6 | RE502969 | VALVE COVER | 1 | MARKED R519779 | |
| 7 | RE70401 | VALVE COVER | 1 | MARKED R519777 | |
| 8 | RE59801 | PLUG | 1 | USE WITH RE70401 | |
| 9 | U11017 | O-RING | 1 | USE WITH RE70401 | |



TP62378

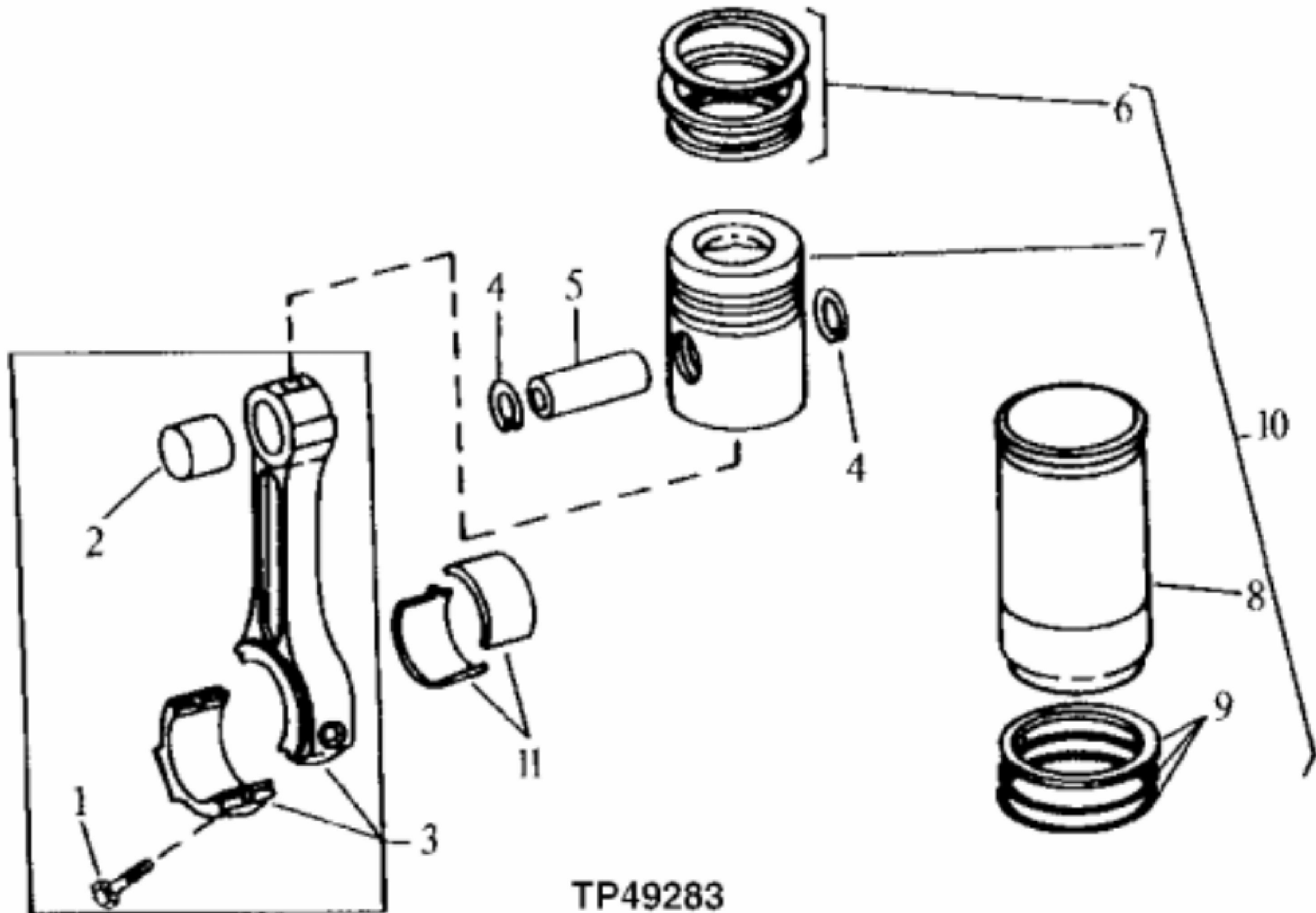
John Deere > Construction And Forestry >BACKHOE, LOADER >315SE - BACKHOE, LOADER >310E, 310SE and 315SE Backhoe Loaders >04A ENGINE 4045TT056, 4045DT055 >0400A ENGINE 4045TT056, 4045DT055 4045TT056, 4045DT055 >ST313026 - TIMING GEAR COVER

| KEY | PART NO. | PART NAME | QTY | REMARKS |
|-----|----------|--------------------|-----|---|
| 1 | R136516 | GASKET | 1 | (SUB FOR R134534) |
| 2 | | COVER | 1 | (SUB R520130, R520132 AND RE515978) (SUB FOR R134531) (SUB FORR505462) NLA |
| 3A | R101085 | DRAIN PLUG | 1 | (SUB RE501938, THIS APPLICATION)(WITHOUT TACHOMETER SENSOR) |
| 3B | RE517370 | FITTING | 1 | (SUB FOR RE501938)(WITHOUT TACHOMETER SENSOR) |
| 4 | 51M7044 | O-RING | 1 | 17.300 X 2.200 mm |
| 5 | 19M8317 | SCREW | 6 | M8 X 40 |
| 5 | 19M7801 | SCREW | 1 | M8 X 60 |
| 5 | 19M7867 | SCREW | 1 | M8 X 25 |
| 5 | RE67239 | SCREW | 1 | |
| 6 | 19M8291 | SCREW | 1 | M8 X 35 |
| 7 | R121424 | O-RING | 1 | |
| 8 | R121411 | COVER | 1 | |
| 9 | 19M7775 | SCREW | 3 | M6 X 16 |
| 10 | 19M7801 | SCREW | 1 | M8 X 60 |
| 11 | RE516340 | SEAL | 1 | (MARKED RE52346 OR RE505515) (SUB FOR RE59810) |
| 12 | R83169 | VALVE | 1 | |
| 13 | R131425 | COMPRESSION SPRING | 1 | |
| 14 | A4827R | WASHER | 1 | |
| 15 | R91692 | FITTING PLUG | 1 | OIL PRESSURE REGULATING |
| 16 | 14M7296 | FLANGE NUT | 4 | M10 |
| 17 | 19M7979 | SCREW | 2 | M8 X 55 |
| 18 | R123584 | STUD | 4 | |
| 19 | R134518 | STUD | 2 | |



John Deere > Construction And Forestry > BACKHOE, LOADER > 315SE - BACKHOE, LOADER > 310E, 310SE and 315SE Backhoe Loaders > 04A ENGINE 4045TT056, 4045DT055 > 0400A ENGINE 4045TT056, 4045DT055 4045TT056, 4045DT055 > ST313027 - REPLACEMENT TIMING GEAR COVER

| KEY | PART NO. | PART NAME | QTY | REMARKS |
|-----|----------|-------------|-----|--|
| 1 | R136516 | GASKET | 1 | |
| 2 | R520130 | COVER | 1 | (ALSO ORDER R520132 AND RE515978) (SUB FOR R504725) |
| 3 | RE517370 | FITTING | 1 | (SUB FOR RE515978) (WITHOUT TACHOMETER SENSOR) |
| 4 | 51M7044 | O-RING | 1 | 17.300 X 2.200 mm |
| 5 | 19M8317 | SCREW | 6 | M8 X 40 |
| 5 | 19M7867 | SCREW | 1 | M8 X 25 |
| 5 | RE67239 | SCREW | 1 | |
| 6 | 19M8291 | SCREW | 1 | M8 X 35 |
| 7 | R121424 | O-RING | 1 | |
| 8 | R121411 | COVER | 1 | |
| 9 | 19M7775 | SCREW | 3 | M6 X 16 |
| 10 | 19M7801 | SCREW | 1 | M8 X 60 |
| 11 | RE516340 | SEAL | 1 | (MARKED RE52346 OR RE505515) (SUB FOR RE59810) |
| 12 | 51M7044 | O-RING | 1 | 17.300 X 2.200 mm |
| 13 | RE501938 | PLUG | 1 | |
| 14 | RE505501 | BLEED VALVE | 1 | |
| 15 | RE515978 | COVER KIT | 1 | |
| 16 | 14M7296 | FLANGE NUT | 6 | M10 |
| 17 | 19M7979 | SCREW | 2 | M8 X 55 |
| 18 | R123584 | STUD | 4 | |
| 19 | R134518 | STUD | 2 | |
| 20 | RE508566 | INSERT | 1 | (WATER PUMP INSERT REPAIR) |



TP49283

Thank you so much for reading.
Please click the “Buy Now!”
button below to download the
complete manual.



After you pay.

You can download the most
perfect and complete manual in
the world immediately.

Our support email:

ebooklibonline@outlook.com