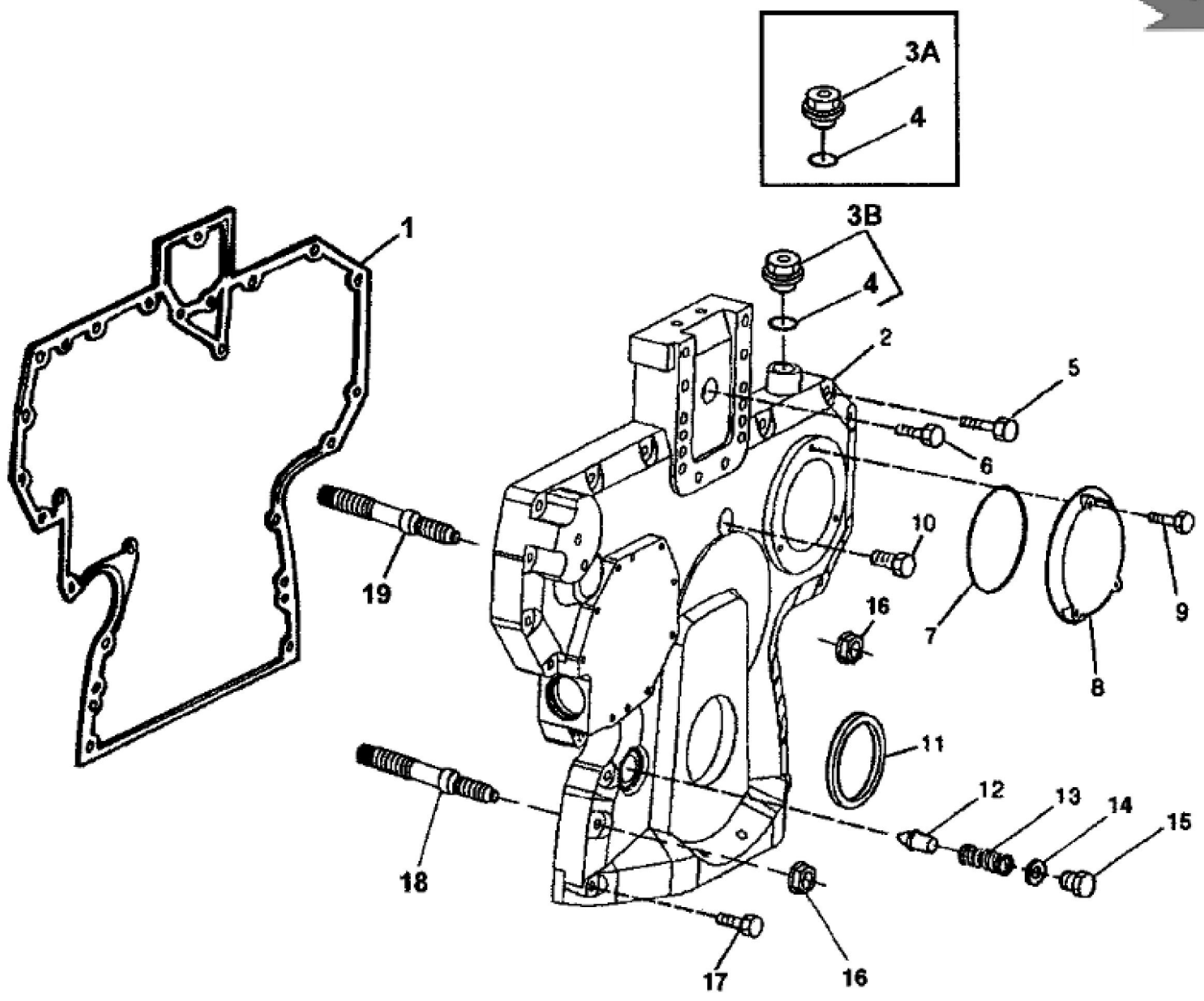


TP61820

John Deere > Construction And Forestry > BACKHOE, LOADER > 410E - BACKHOE, LOADER > 410E Backhoe Loader > 04 ENGINE > 0402 CAMSHAFT AND VALVE ACTUATING MEANS > ST273325 - ROCKER ARM COVER

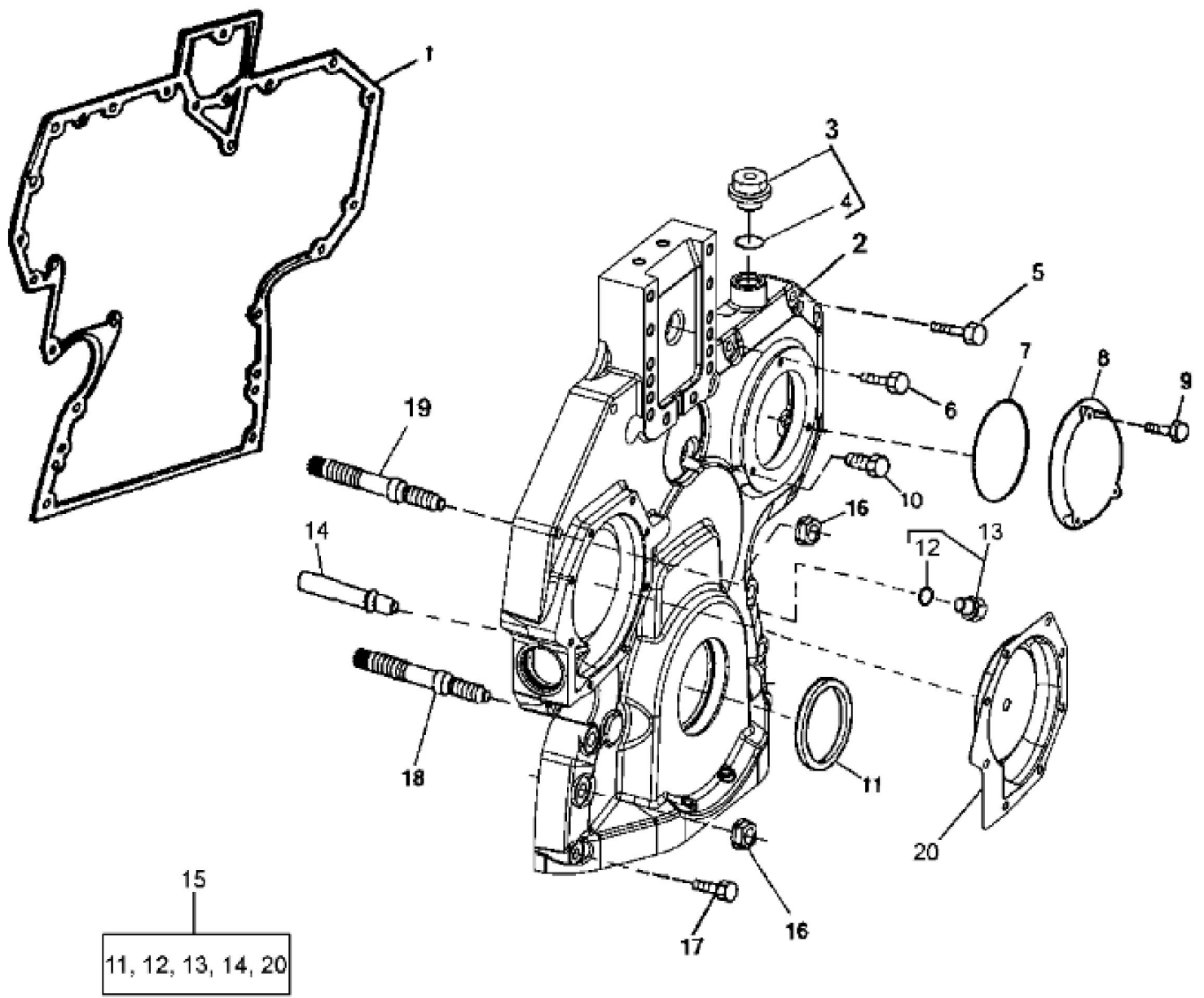
KEY	PART NO.	PART NAME	QTY	Engine Serial No.	REMARKS
1	H23125	PLUG	4		
2	R123574	NUT	4		
3	R123575	O-RING	4		
4	R116324	MEDALLION	1		
5	RE59801	PLUG	1	____-826080	
6A	RE70401	VALVE COVER	1	____-826080	
6B	RE502969	VALVE COVER	1	826081-____	
7	R123542	GASKET	1		



TP62378

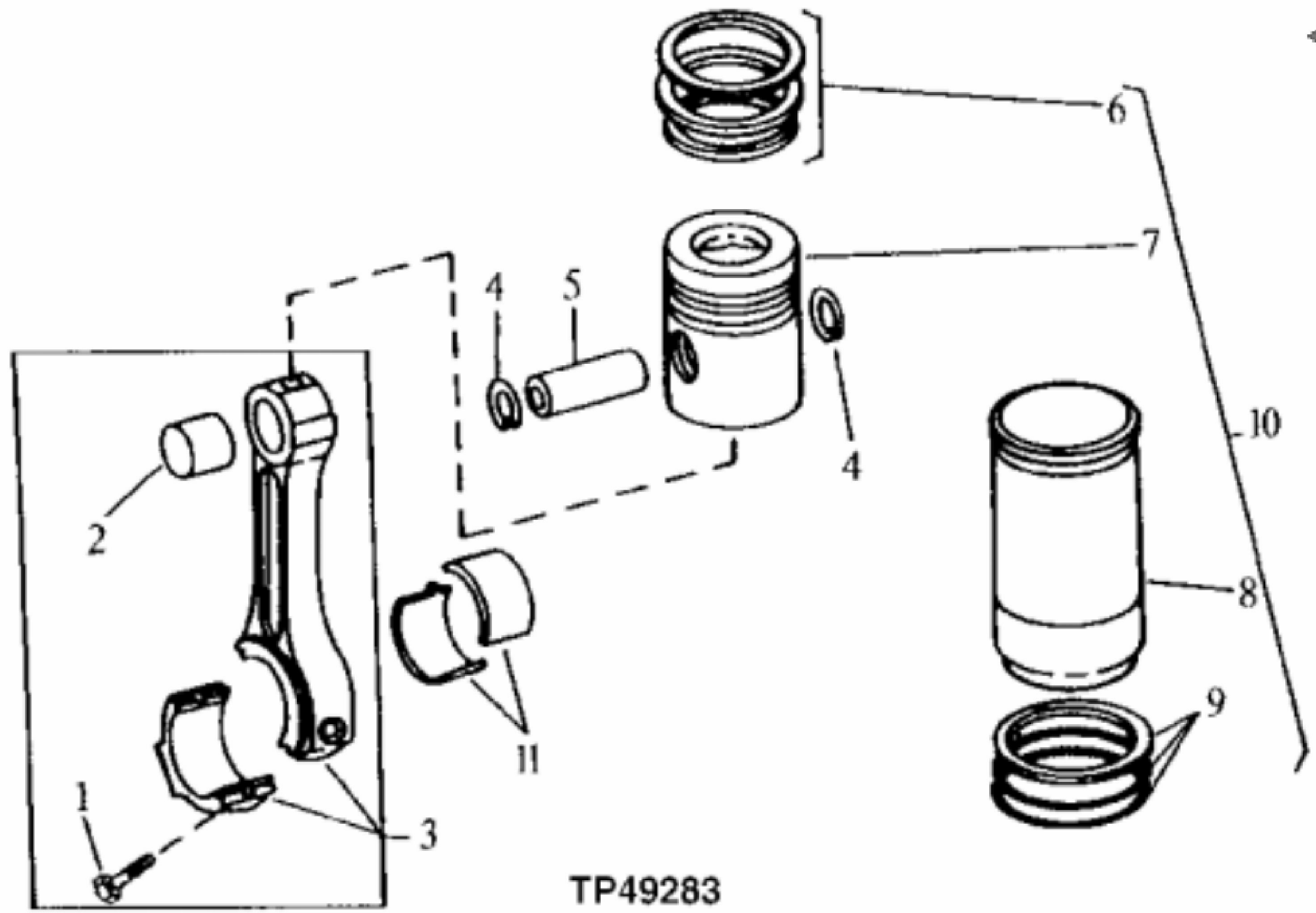
John Deere > Construction And Forestry > BACKHOE, LOADER >410E - BACKHOE, LOADER >410E Backhoe Loader >04 ENGINE >0402 CAMSHAFT AND VALVE ACTUATING MEANS >ST273326 - TIMING GEAR COVER

KEY	PART NO.	PART NAME	QTY	REMARKS
1	R136516	GASKET	1	
2	COVER	1	(R505462 NLA) (SUB R520130, R520132 AND RE515978) (SUB FOR R134531)
3A	RE517370	FITTING	1	(WITHOUT TACHOMETER SENSOR) (SUB FOR R101085)
3B	RE517370	FITTING	1	(WITHOUT TACHOMETER SENSOR) (SUB FOR RE501938)
4	51M7044	O-RING	1	17.300 X 2.200 mm
5	19M8317	SCREW	6	M8 X 40
5	19M7801	SCREW	1	M8 X 60
5	19M7867	SCREW	1	M8 X 25
5	RE67239	SCREW	1	
6	19M8291	SCREW	1	M8 X 35
7	R121424	O-RING	1	
8	R121411	COVER	1	
9	19M7775	SCREW	3	M6 X 16
10	19M7801	SCREW	1	M8 X 60
11	RE516340	SEAL KIT	1	(SUB FOR RE59810)
12	R83169	VALVE	1	
13	R131425	COMPRESSION SPRING	1	
14	A4827R	WASHER	1	
15	R91692	FITTING PLUG	1	Oil Pressure Regulating
16	14M7296	FLANGE NUT	4	M10
17	19M7979	SCREW	2	M8 X 55
18	R123584	STUD	4	
19	R134518	STUD	2	



John Deere > Construction And Forestry > BACKHOE, LOADER >410E - BACKHOE, LOADER >410E Backhoe Loader >04 ENGINE >0402 CAMSHAFT AND VALVE ACTUATING MEANS >ST273327 -
 REPLACEMENT TIMING GEAR COVER

KEY	PART NO.	PART NAME	QTY	REMARKS
1	R520132	GASKET	1	(SUB FOR R136516 THIS APPLICATION)
2	R520130	COVER	1	(SUB FOR R504725)
3	RE517370	FITTING	1	(WITHOUT TACHOMETER SENSOR) (SUB FOR RE501938)
4	51M7044	O-RING	1	17.300 X 2.200 mm
5	19M8317	SCREW	6	M8 X 40
5	19M7867	SCREW	1	M8 X 25
5	RE67239	SCREW	1	
6	19M8291	SCREW	1	M8 X 35
7	R121424	O-RING	1	
8	R121411	COVER	1	
9	19M7775	SCREW	3	M6 X 16
10	19M7801	SCREW	1	M8 X 60
11	RE59810	SEAL	1	
12	51M7044	O-RING	1	17.300 X 2.200 mm
13	RE501938	PLUG	1	
14	RE505501	BLEED VALVE	1	
15	RE515978	COVER KIT	1	
16	14M7296	FLANGE NUT	6	M10
17	19M7979	SCREW	2	M8 X 55
18	R123584	STUD	4	
19	R134518	STUD	2	
20	RE508566	INSERT	1	Water Pump Insert Repair



TP49283

Thank you so much for reading.
Please click the “Buy Now!”
button below to download the
complete manual.



After you pay.

You can download the most
perfect and complete manual in
the world immediately.

Our support email:

ebooklibonline@outlook.com