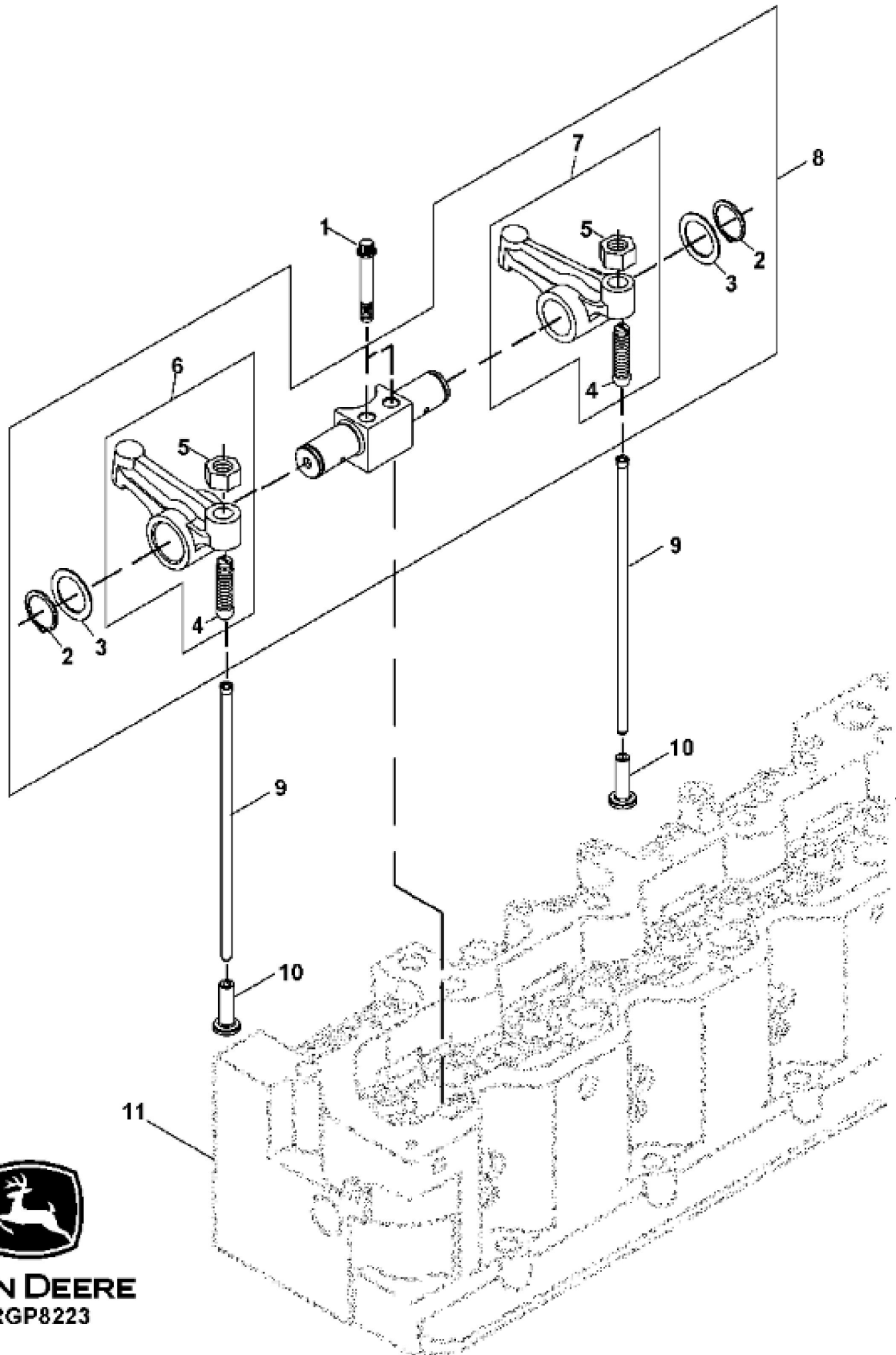
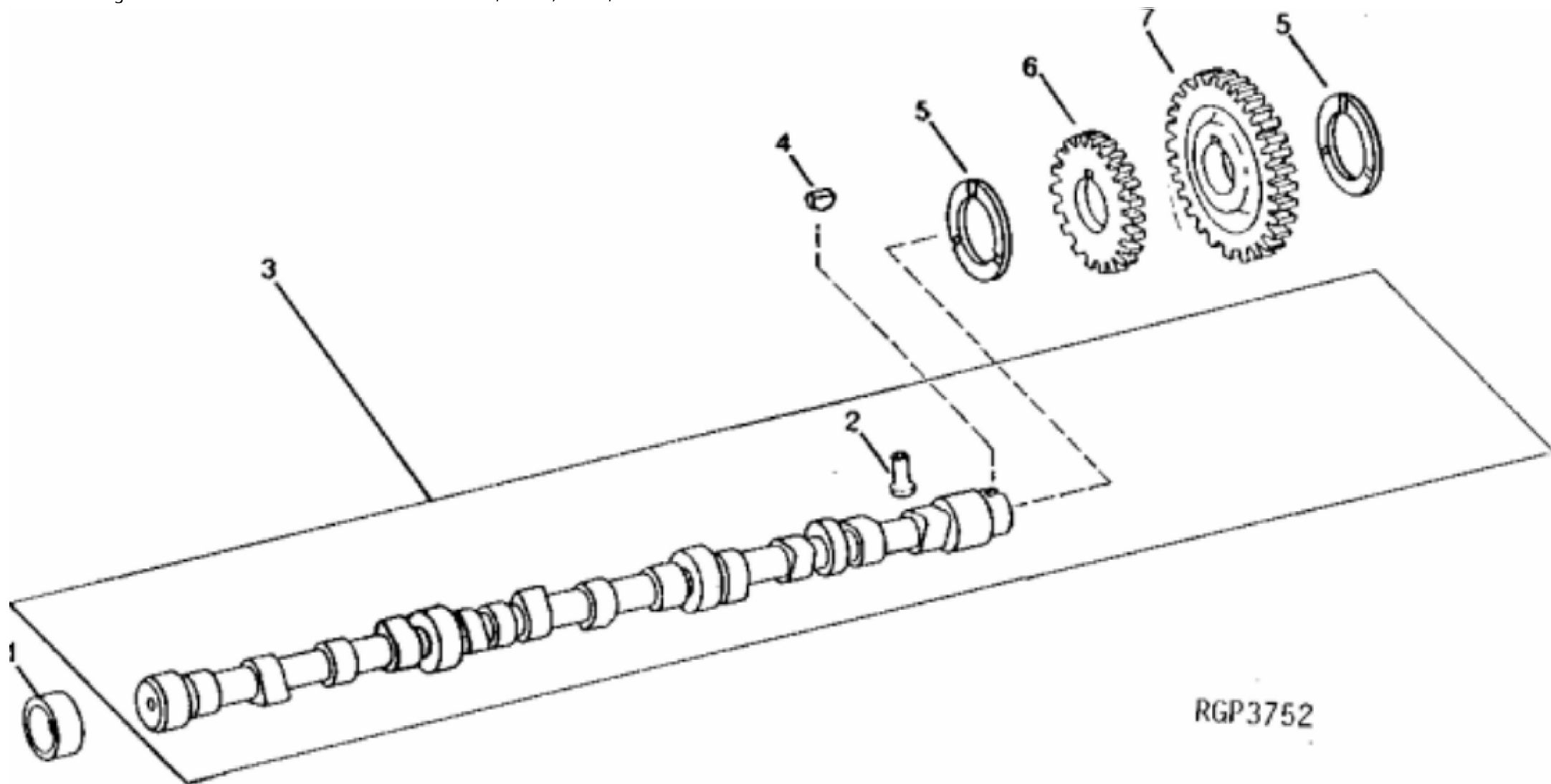


KEY	PART NO.	PART NAME	QTY	REMARKS
1	T20129	CAP	12	
2	T20077	RETAINER	24	
3	R500098	CAP	12	
4	R502187	COMPRESSION SPRING	12	
5	R121491	CAP SCREW	7	(SPECIAL HEAD BOLTS) 14.275 X 202.997 mm (9/16" X 7.992")
6	R121490	CAP SCREW	8	(SPECIAL HEAD BOLTS) 14.275 X 174.498 mm (9/16" X 6.870")
7	R502911	SCREW	6	(SPECIAL HEAD BOLTS) 14.275 X 121.691 mm (9/16" X 4.791")
8	R502912	SCREW	5	(SPECIAL HEAD BOLTS) 14.275 X 163.703 mm (9/16" X 6.445")
9	RE506501	BOLT KIT	1	(SPECIAL HEAD BOLTS)
10	15H690	PIPE PLUG	11	3/4"
11	R121193	VALVE SEAT INSERT	6	(E - (EXHAUST VALVE) I - (INTAKE VALVE)) I
12	R84618	INTAKE VALVE	6	STD
12	R93308	INTAKE VALVE	AR	0.08MM (.003") OS
12	R93312	INTAKE VALVE	AR	0.38MM (.015") OS
12	R93314	INTAKE VALVE	AR	0.76MM (.030") OS
13	R119132	VALVE SEAT INSERT	6	(E - (EXHAUST VALVE) I - (INTAKE VALVE)) E
14	R84619	EXHAUST VALVE	6	STD
14	R93311	EXHAUST VALVE	AR	0.08MM (.003") OS
14	R93313	EXHAUST VALVE	AR	0.38MM (.015) OS
14	R93315	EXHAUST VALVE	AR	0.76MM (.030") OS
15	RE519894	CYLINDER HEAD	1	(MARKED R130818AND RE506503)
15	SE501577	CYLINDER HEAD REMAN	1	(REMAN FOR RE519894)
16	RE55475	ENGINE CYLINDER HEAD GASKET	1	
17	19H2367	CAP SCREW	1	5/8" X 3/4"
18	R501640	SHIELD	6	
19	R515575	PLUG	2	



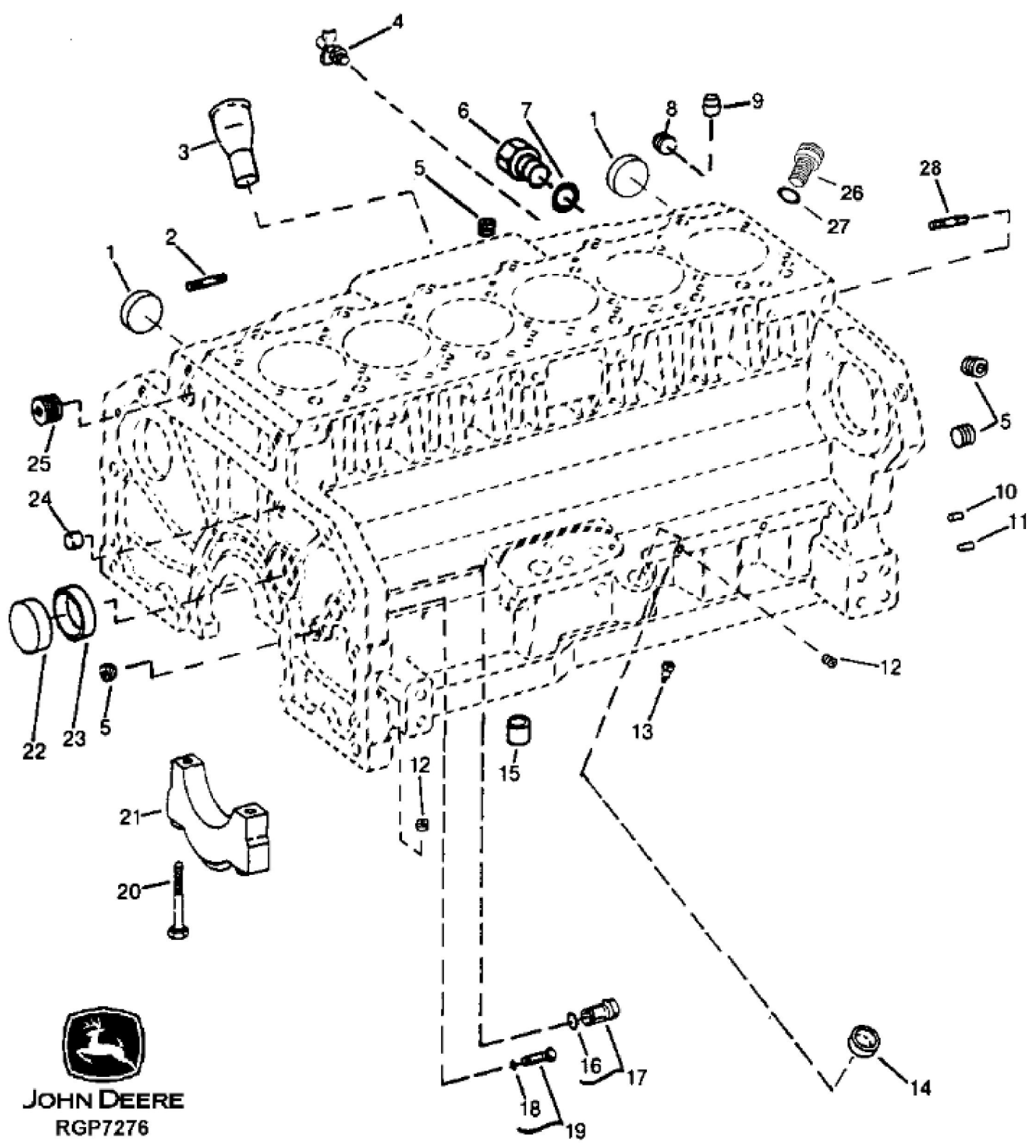
JOHN DEERE
RGP8223

KEY	PART NO.	PART NAME	QTY	REMARKS	
1	19H3833	SCREW	12	5/16" X 1-3/4", HS SAE8	
2	U17408	RING	2		
3	24H1144	WASHER	2	49/64" X 1-1/16" X 0.036"	
4	R27443	SET SCREW	2		
5	14H1080	NUT	2	3/8"	
6	RE24046	ROCKER ARM	1	(- E (EXHAUST VALVE) - I (INTAKE VALVE)) (1I, 2E , 3I , 4E, 5I , 6E) (LH)	
7	RE24045	ROCKER ARM	1	(- E (EXHAUST VALVE) - I (INTAKE VALVE)) (1E, 2I , 3E , 4I, 5E , 6I) (RH)	
8	RE505320	KIT	6	(SUB RE521278)	
9	R85027	PUSH ROD	12		
10	R110126	FOLLOWER	12		
11	CYLINDER HEAD	1		



RGP3752

KEY	PART NO.	PART NAME	QTY	REMARKS	
1	R87561	BUSHING	4		
2	R110126	FOLLOWER	12		
3	RE57054	CAMSHAFT	1	(MARKED R120872)	
4	26H91	SHAFT KEY	1	3/16" X 1-1/4"	
5	R104656	THRUST WASHER	2		
6	R104589	GEAR	1		
7	R112053	GEAR	1	(SUB R518212)	



Thank you so much for reading.
Please click the “Buy Now!”
button below to download the
complete manual.



After you pay.

You can download the most
perfect and complete manual in
the world immediately.

Our support email:

ebooklibonline@outlook.com