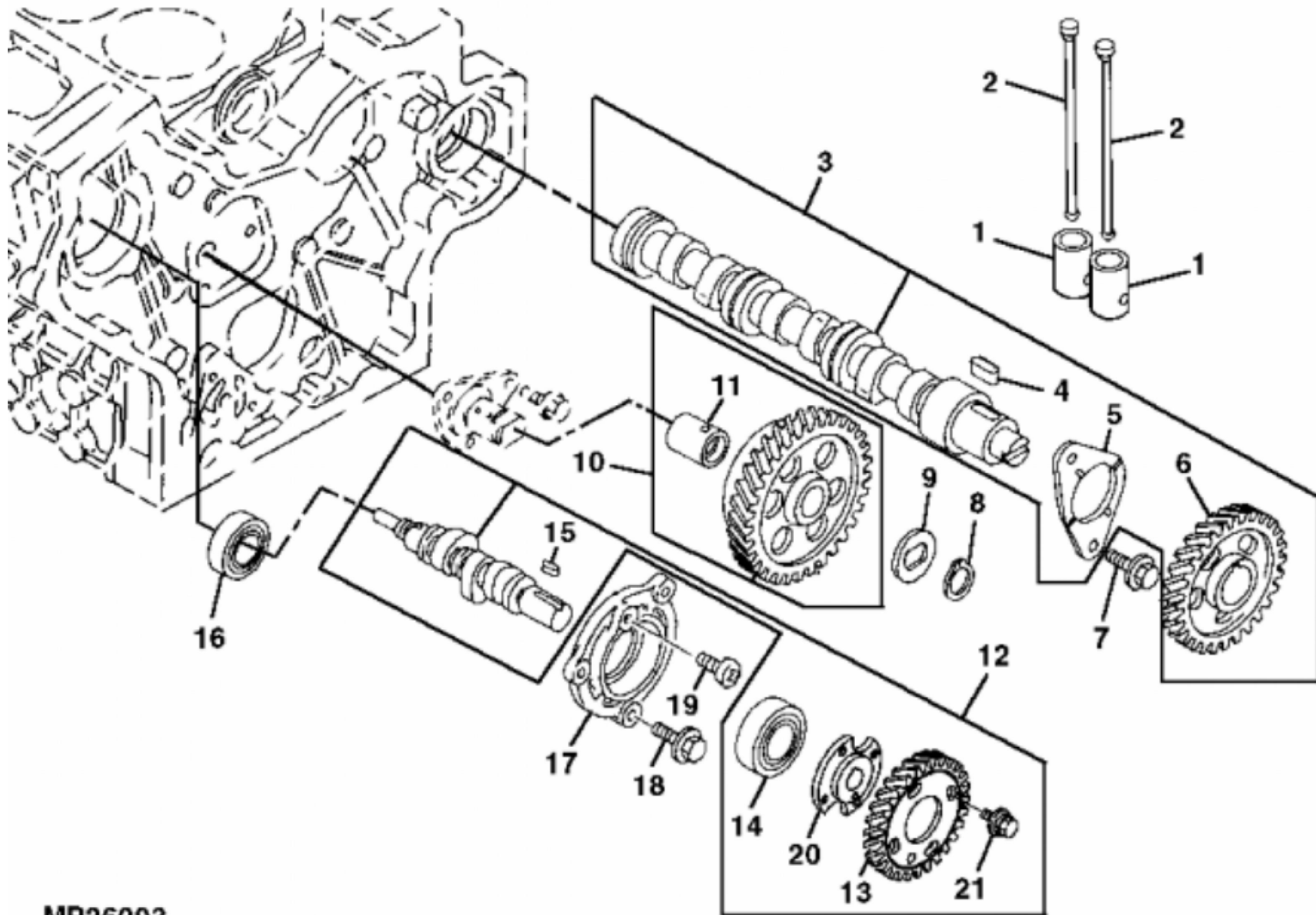


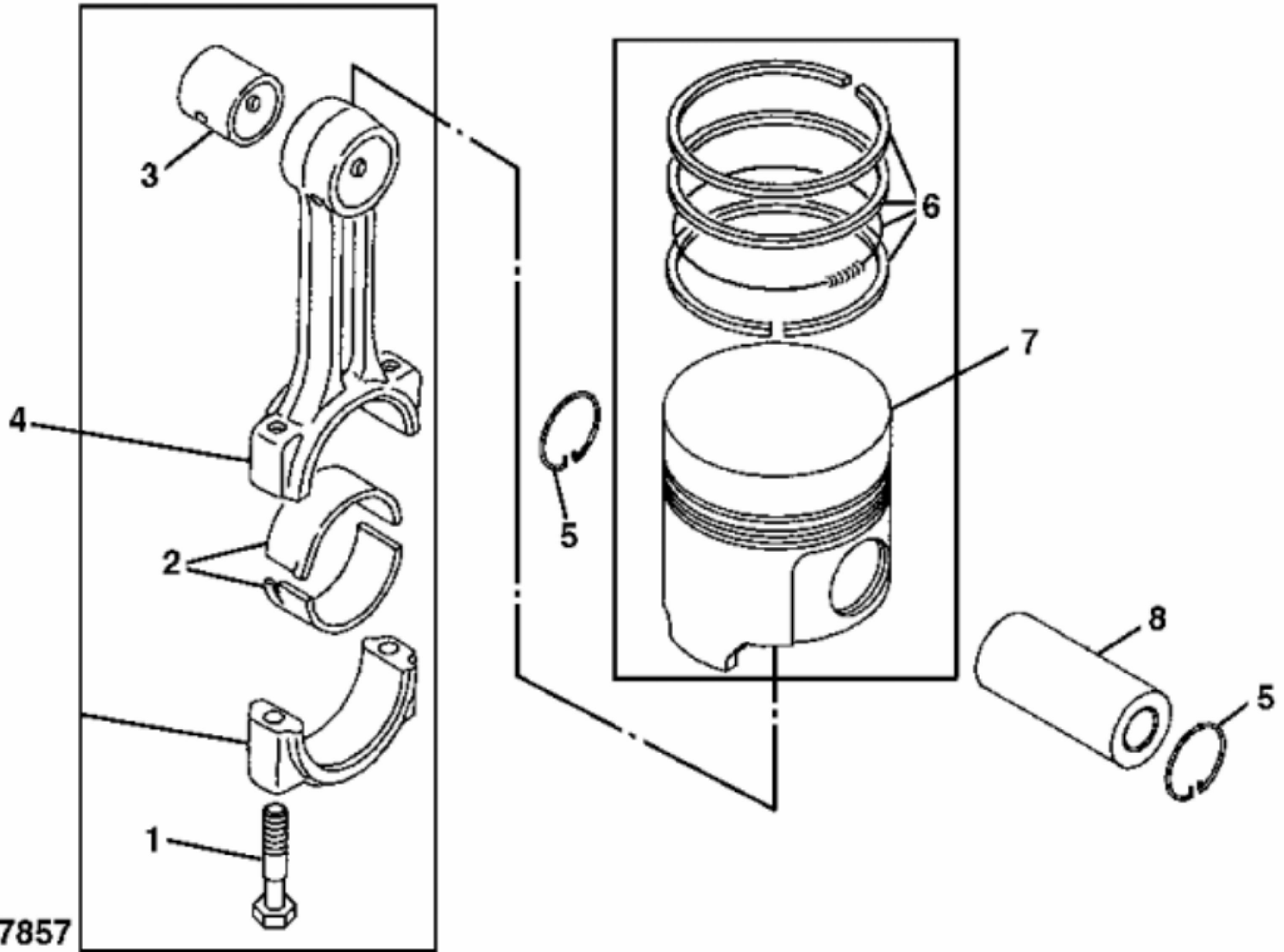
MP27043

KEY	PART NO.	PART NAME	QTY	REMARKS	
1	CH15409	PIPE	1	(CUT TO 500 MM) (SUB FOR M89133)	
2	CH10348	NUT	2		
3	CH10568	PACKING	2		
4	AM880974	VALVE COVER	1		
5	M809218	GASKET	1	(SUB FOR M800027)	
6	M805818	GASKET	1		
7	M800014	DEFLECTOR	1		
8	M807374	SCREW	4		
9	M807038	TUBE	1		



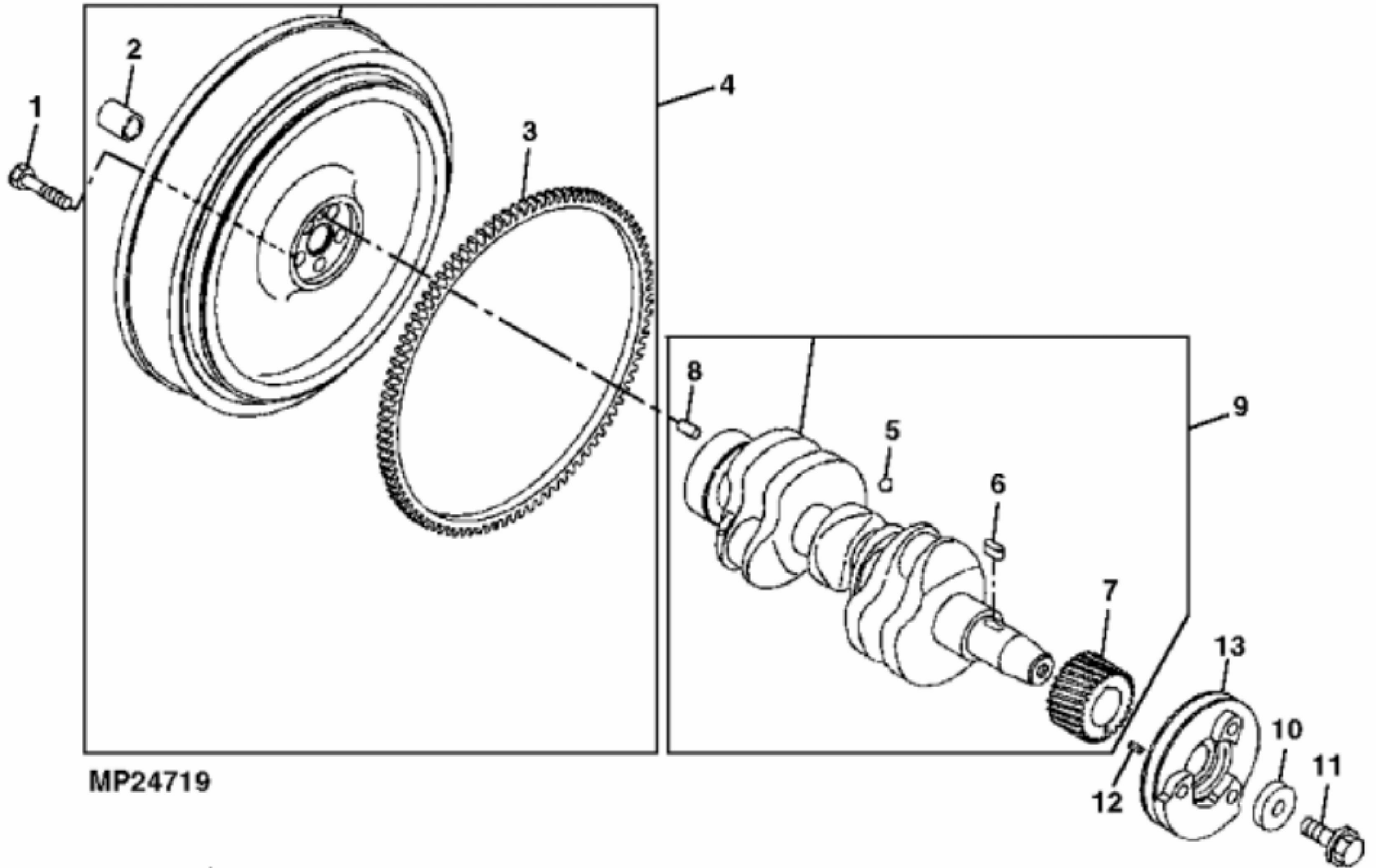
MP26003

KEY	PART NO.	PART NAME	QTY	REMARKS
1	M800036	CAM FOLLOWER	6	
2	M800037	PUSH ROD	6	
3	AM875019	CAMSHAFT	1	
4	M87812	SHAFT KEY	1	
5	M87810	FLANGE	1	THRUST BEARING
6	M800035	GEAR	1	CAMSHAFT
7	19M7774	SCREW	2	M6 X 12
8	40M7080	SNAP RING	1	
9	M89139	PLATE	1	IDLE GEAR RETAINER
10	AM875005	GEAR	1	IDLE (W/ BUSHING)
11	M800300	BUSHING	1	IDLE GEAR
12	CAMSHAFT	1	FUEL INJECTION PUMP
13	GEAR	1	
14	M800073	BEARING	1	
15	M87812	SHAFT KEY	1	
16	M800496	BALL BEARING	1	
17	M89175	CASE	1	BEARING
18	19M7775	SCREW	3	M6 X 16
19	CH15405	SCREW	1	
20	FLANGE	1	
21	BOLT	4	



MP17857

KEY	PART NO.	PART NAME	QTY	REMARKS	
1	M806580	BOLT	2		
2	AM875022	BEARING KIT	1	STD	
2	AM875034	BEARING KIT	1	.25 MM (.010") US	
3	M800080	BUSHING	1		
4	AM878691	CONNECTING ROD	3		
5	CH14607	RING	6		
6	AM878688	PISTON RING KIT	1	STD	
6	AM878702	PISTON RING KIT	1	.25 MM (.010") OS	
7	AM878687	PISTON REPLACEMENT KIT	3	STD	
7	AM879717	PISTON REPLACEMENT KIT	3	.25 MM (.010") OS	
8	M806577	PISTON PIN	3		



MP24719

Thank you so much for reading.
Please click the “Buy Now!”
button below to download the
complete manual.



After you pay.

You can download the most
perfect and complete manual in
the world immediately.

Our support email:

ebooklibonline@outlook.com