

PC350HD S/N A00001 and up
PC350HD S/N A00001 and up

DESCRIPTION

ENGINE
ENGINE RELATED PARTS
COOLING SYSTEM
FUEL TANK AND RELATED PARTS
ELECTRICAL SYSTEM
HYDRAULIC SYSTEM
MAIN/REVOLVING FRAME AND RELATED PARTS
OPERATOR'S COMPARTMENT AND CONTROL SYSTEM
GUARD
SWING CIRCLE AND RELATED PARTS
TRAVEL AND LOWER PIPING
UNDERCARRIAGE
WORK EQUIPMENT
MARKS AND PLATES

PC350HD S/N A00001 and up

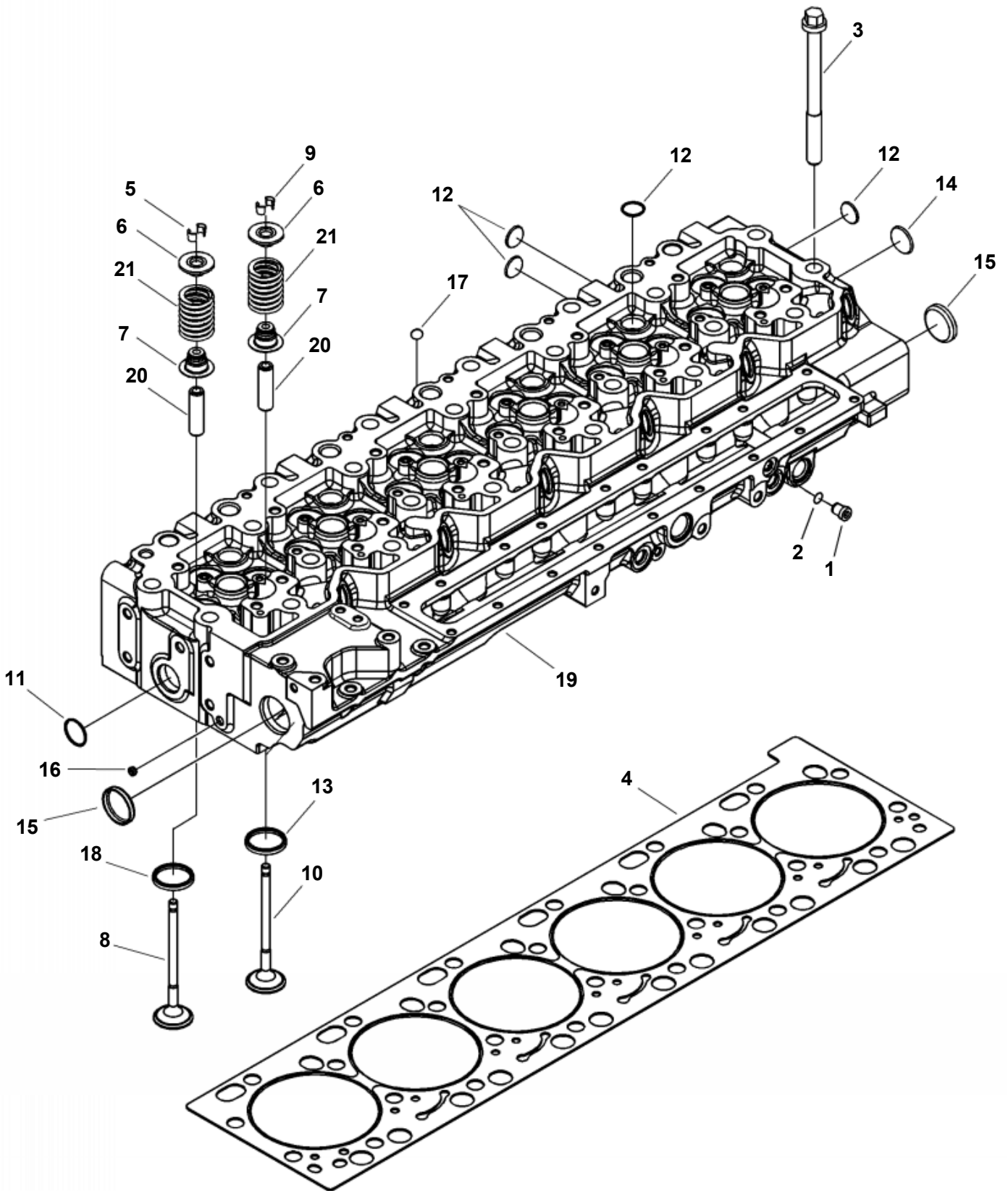
ENGINE

DESCRIPTION

CYLINDER HEAD
ROCKER LEVER
VALVE COVER
CRANKCASE BREATHER
EXHAUST MANIFOLD
TURBOCHARGER MOUNTING NEW RELEASE
TURBOCHARGER MOUNTING ORIGINAL RELEASE
TURBOCHARGER OIL PIPING
TURBOCHARGER NEW RELEASE
TURBOCHARGER ORIGINAL RELEASE
AIR TRANSFER CONNECTION
AIR INTAKE MANIFOLD COVER
AIR INTAKE HEATER AND CONNECTION
EXHAUST CONNECTION
CYLINDER BLOCK ACCESS HOLE COVER AND OIL DRAIN CONNECTION
CYLINDER BLOCK COOLANT PLUG
CYLINDER BLOCK TORQUE CONVERTER OIL COOLER PLUG
CYLINDER BLOCK COOLANT HEATER STARTING AID PLUG
CYLINDER BLOCK CAB HEATER PLUGS
CYLINDER BLOCK ENGINE COOLANT VENT
CYLINDER BLOCK
FRONT GEAR HOUSING AND COVER
FRONT GEAR TRAIN ACCESSORY COVER
OIL PAN AND SUCTION TUBE
FLYWHEEL AND MOUNTING
CRANKSHAFT
VIBRATION DAMPER
PISTON AND CONNECTING ROD
CAMSHAFT
OIL LEVEL GAUGE
LUBRICATING OIL PUMP
LUBRICATING OIL FILTER AND PIPING
LUBRICATING OIL COOLER
FUEL INJECTION PIPING
FUEL PIPING
FUEL FILTER PIPING
FUEL FILTER
FUEL INJECTOR CONNECTOR COVERS
FUEL INJECTOR
FUEL PUMP MOUNTING
FUEL PUMP
FUEL TRANSFER PUMP
FUEL INLET FITTING
ENGINE CONTROL MODULE AND SENSORS
ENGINE CONTROL MODULE PIPING
WATER PUMP
WATER INLET CONNECTION
THERMOSTAT AND HOUSING
FAN DRIVE PULLEY
FAN DRIVE BELT AND TENSIONER
COOLANT PIPING
COOLING FAN AND MOUNTING
ALTERNATOR BELT TENSIONER
ALTERNATOR DRIVE BELT
ALTERNATOR MOUNTING
STARTING MOTOR MOUNTING
ALTERNATOR 60 A
STARTING MOTOR NIKKO 24V - 11KW
HEAT SHIELD
OIL LEVEL SENSOR
ENGINE CONTROL MODULE WIRING HARNESS
FLYWHEEL HOUSING
ENGINE LIFTING BRACKET
ENGINE ASSEMBLY

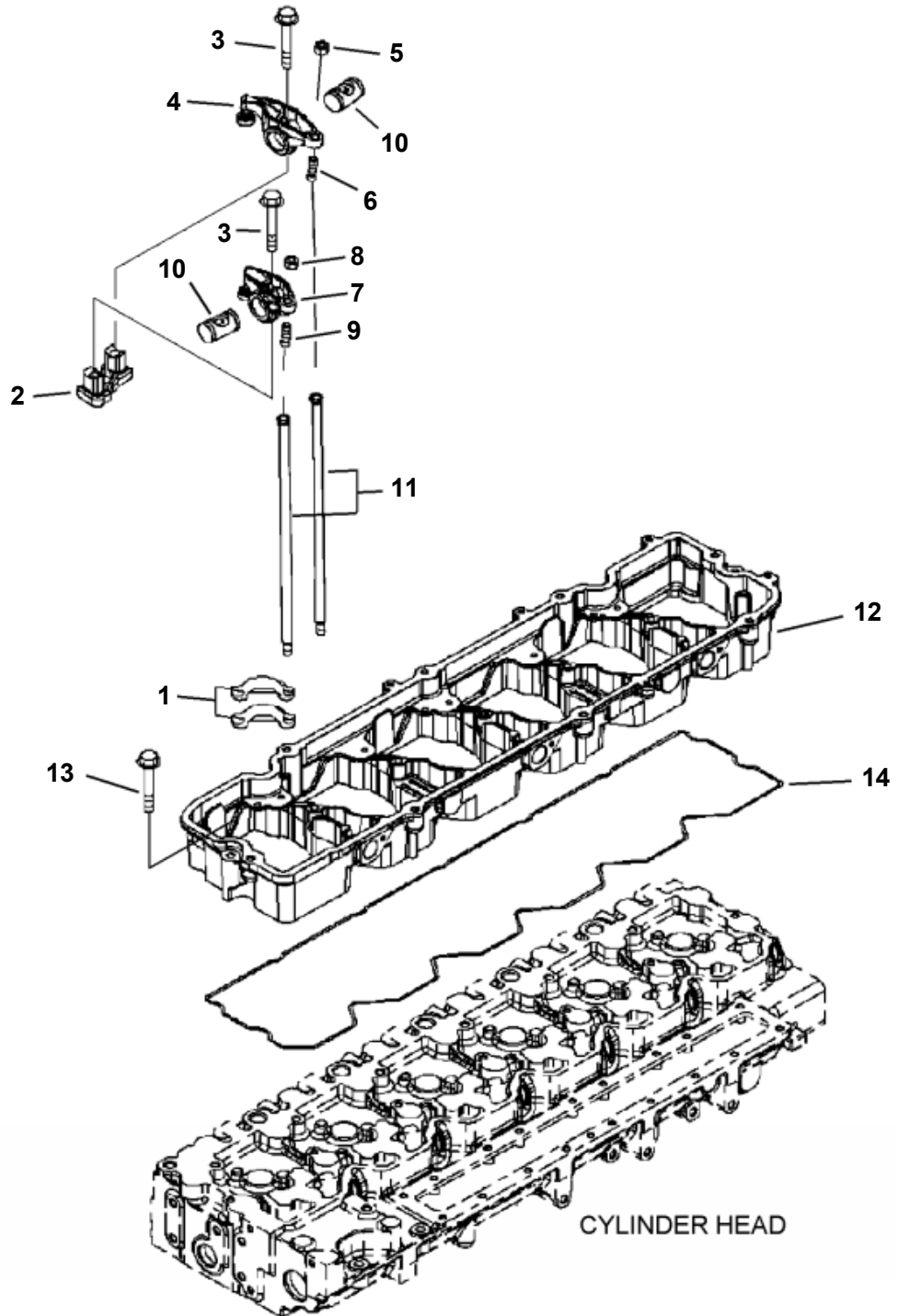
FIG A1103-A3A3

A1103-A3A3 CYLINDER HEAD



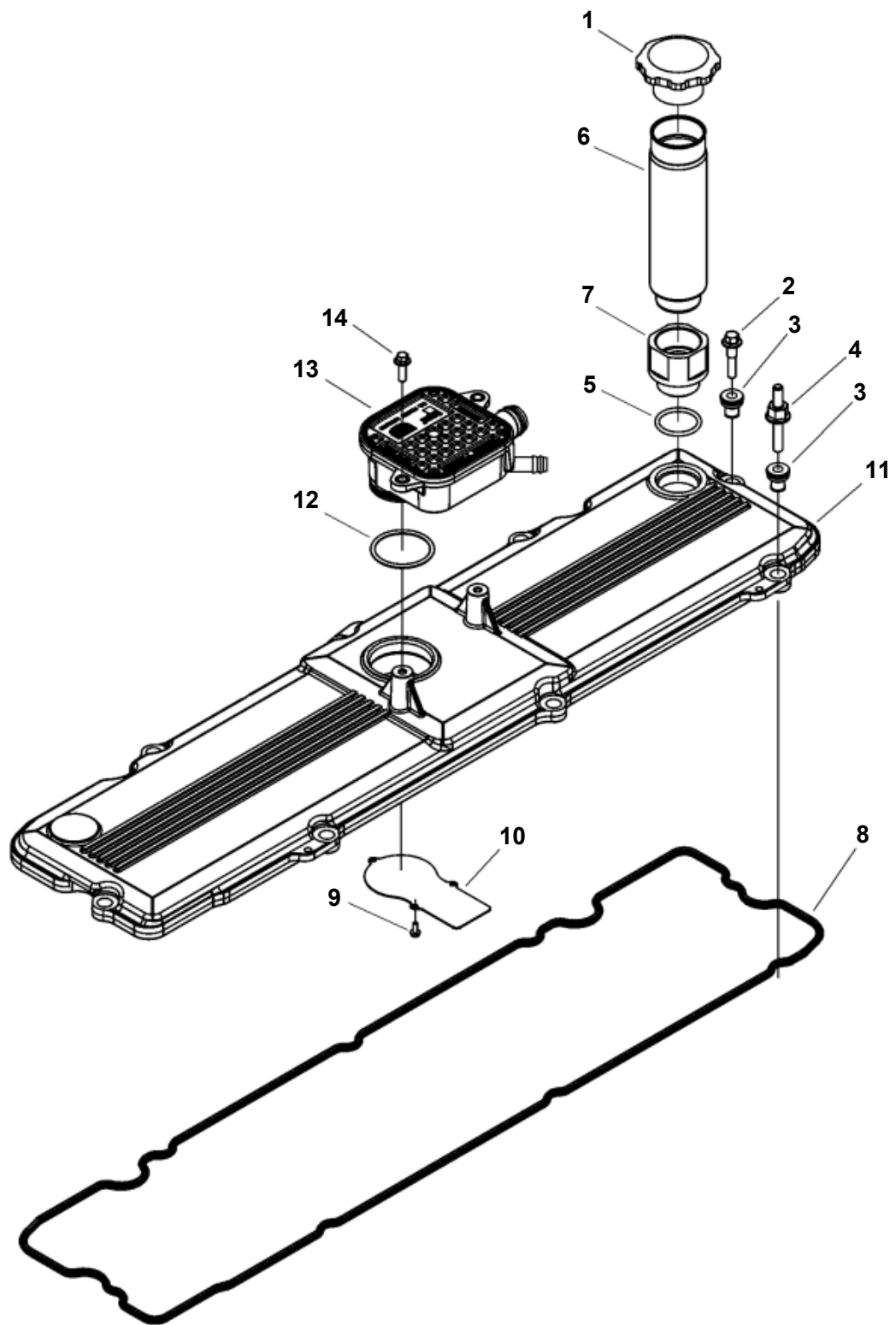
**PC350HD S/N A00001 and up
A1103-A3A3 CYLINDER HEAD**

| ITEM NO. | PART NO. | DESCRIPTION | Q'TY |
|----------|-----------------------|------------------------------------|--------|
| 1 | 6732-21-1960 (NSS) | PLUG, THREADED · PLUG, THREADED | 1 1 |
| 2 | 6735-21-1970 | · SEAL, O-RING | 1 |
| 3 | 6743-11-1610 | BOLT (M14-2.00x160) | 26 |
| 4 | 6745-11-1811 | GASKET, CYLINDER HEAD | 1 |
| | 6745-11-1113 | HEAD, CYLINDER | 1 |
| | 6744-41-4060 | · KIT, EXHAUST VALVE | 1 |
| 5 | 6732-41-4520 | · · COLLET, VALVE | 48 |
| 6 | 6744-41-4050 | · · RETAINER, VALVE SPRING | 24 |
| 7 | 6744-41-4080 | · · SEAL, VALVE STEM | 24 |
| 8 | (NSS) | · · VALVE, EXHAUST | 12 |
| | 6744-41-4040 | · KIT, INTAKE VALVE | 1 |
| 9 | 6732-41-4520 | · · COLLET, VALVE | 2 |
| 10 | (NSS) | · · VALVE, INTAKE | 12 |
| | 6745-11-1121 | · HEAD, CYLINDER | 1 |
| 11 | 6742-01-2920 | · · PLUG, EXPANSION | 2 |
| 12 | 6735-21-5530 | · · PLUG, EXPANSION | 18 |
| 13 | (NSS) | · · INSERT, VALVE | 12 |
| 14 | 6744-41-4110 | · · PLUG, EXPANSION | 1 |
| 15 | 6744-11-1070 | · · PLUG, EXPANSION | 2 |
| 16 | 6744-41-4120 | · · PLUG, EXPANSION | 1 |
| 17 | 6754-11-1160 | · · PLUG, EXPANSION | 6 |
| 18 | 6745-41-4220 | · · INSERT, VALVE | 12 |
| 19 | (NSS) | · · HEAD, CYLINDER | 1 |
| 20 | 6744-41-4130 | · · GUIDE, VALVE STEM | 24 |
| 21 | 6744-41-4031 | · SPRING, VALVE | 24 |



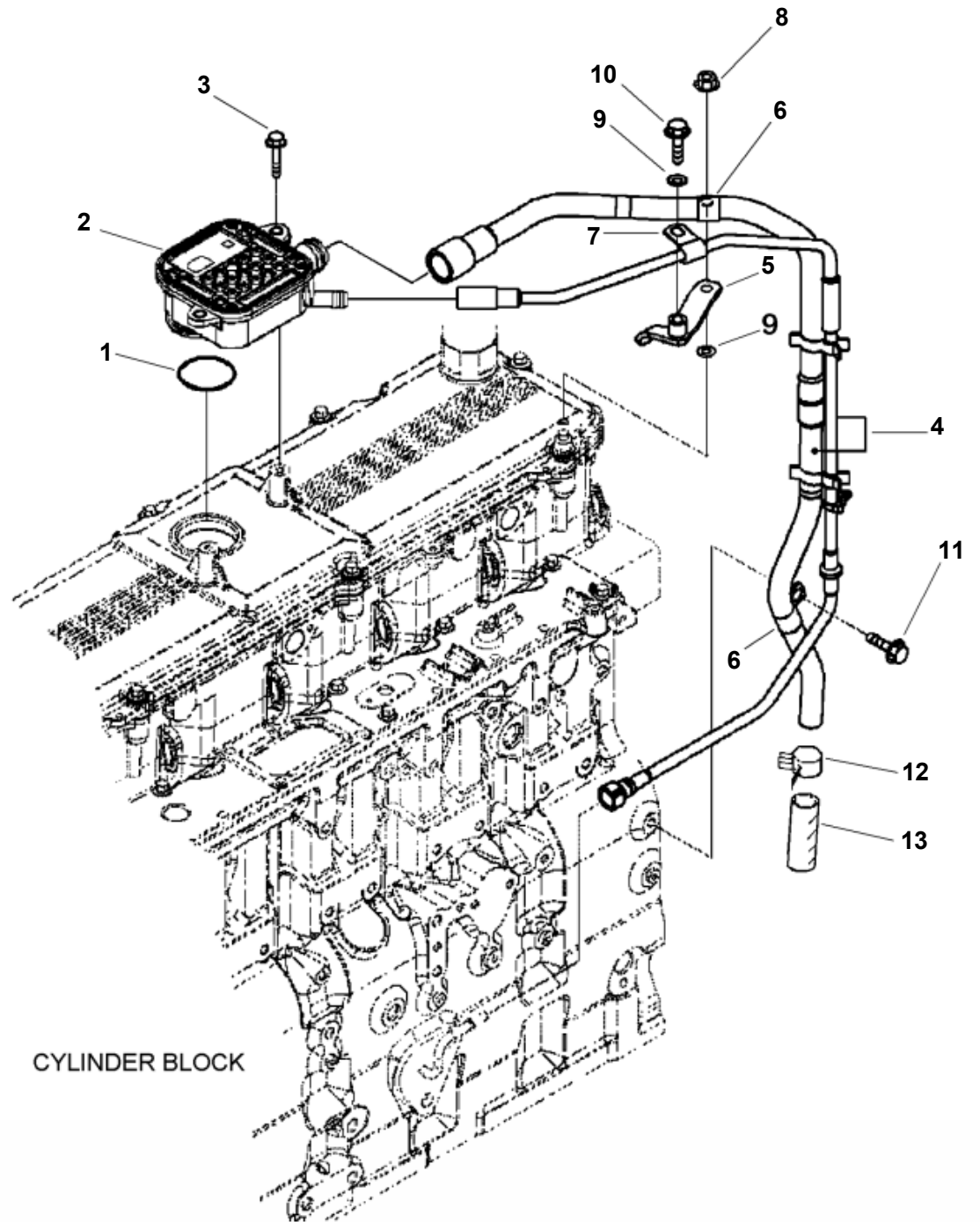
**PC350HD S/N A00001 and up
A1109-A3A0 ROCKER LEVER**

| ITEM NO. | PART NO. | DESCRIPTION | Q'TY |
|----------|--------------|------------------------------|------|
| 1 | 6744-41-5010 | CROSSHEAD, VALVE | 12 |
| 2 | 6744-41-5030 | SUPPORT, ROCKER LEVER | 6 |
| 3 | 6744-41-3020 | BOLT | 12 |
| 4 | 6745-41-5401 | LEVER ASSEMBLY, ROCKER | 6 |
| 5 | 6732-41-5430 | · NUT | 1 |
| 6 | 6745-41-5430 | · BOLT | 1 |
| 7 | 6745-41-5201 | LEVER ASSEMBLY, ROCKER | 6 |
| 8 | 6732-41-5430 | · NUT | 1 |
| 9 | 6745-41-5430 | · BOLT | 1 |
| 10 | 6745-41-5110 | SHAFT, ROCKER LEVER | 12 |
| 11 | 6745-41-3100 | ROD, PUSH | 12 |
| 12 | 6745-11-7112 | HOUSING, ROCKER LEVER | 1 |
| 13 | 6733-61-3150 | BOLT | 7 |
| 14 | 6745-11-7810 | GASKET, ROCKER LEVER HOUSING | 1 |



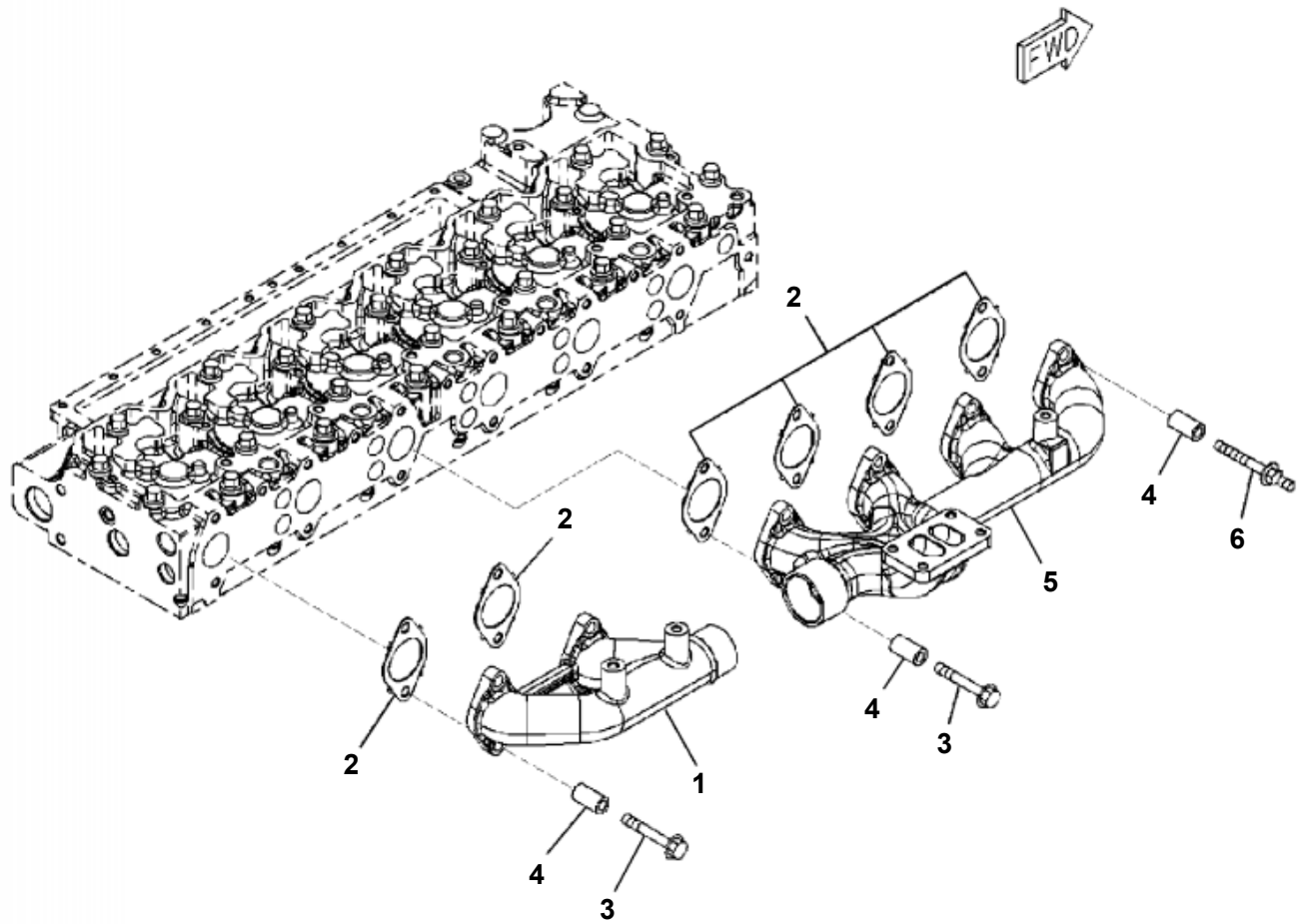
**PC350HD S/N A00001 and up
A1112-A3A0 VALVE COVER**

| ITEM NO. | PART NO. | DESCRIPTION | Q'TY |
|----------|----------------------|---|--------|
| 1 | 6130-12-8610 | CAP, FILLER | 1 |
| 2 | 6732-61-6140 | BOLT (M8-1.25x35) | 7 |
| 3 | 6745-11-8160 | ISOLATOR, VIBRATION | 8 |
| 4 | 6745-11-8170 | BOLT | 1 |
| | 6745-11-8130 | TUBE, OIL FILLER | 1 |
| 5 | 07002-23634 (NSS) | · SEAL, O-RING · TUBE, OIL FILLER | 1 1 |
| 6 | 6754-11-8140 | · · TUBE, OIL FILLER | 1 |
| 7 | 6745-11-8190 | · · ADAPTER, O-RING | 1 |
| 8 | 6745-11-8810 | GASKET, VALVE COVER | 1 |
| | 6745-11-8220 | COVER, VALVE | 1 |
| 9 | 6745-11-8150 | · BOLT, SELF TAPPING | 3 |
| 10 | (NSS) | · BAFFLE, BREATHER | 1 |
| 11 | 6745-11-8110 | · COVER, VALVE | 1 |
| 12 | | SEAL, O-RING (SEE FIG. A1115-A3A0) | |
| 13 | | HOUSING, BREATHER (SEE FIG. A1115-A3A0) | |
| 14 | | BOLT (SEE FIG. A1115-A3A0) | |



PC350HD S/N A00001 and up
A1115-A3A0 CRANKCASE BREATHER

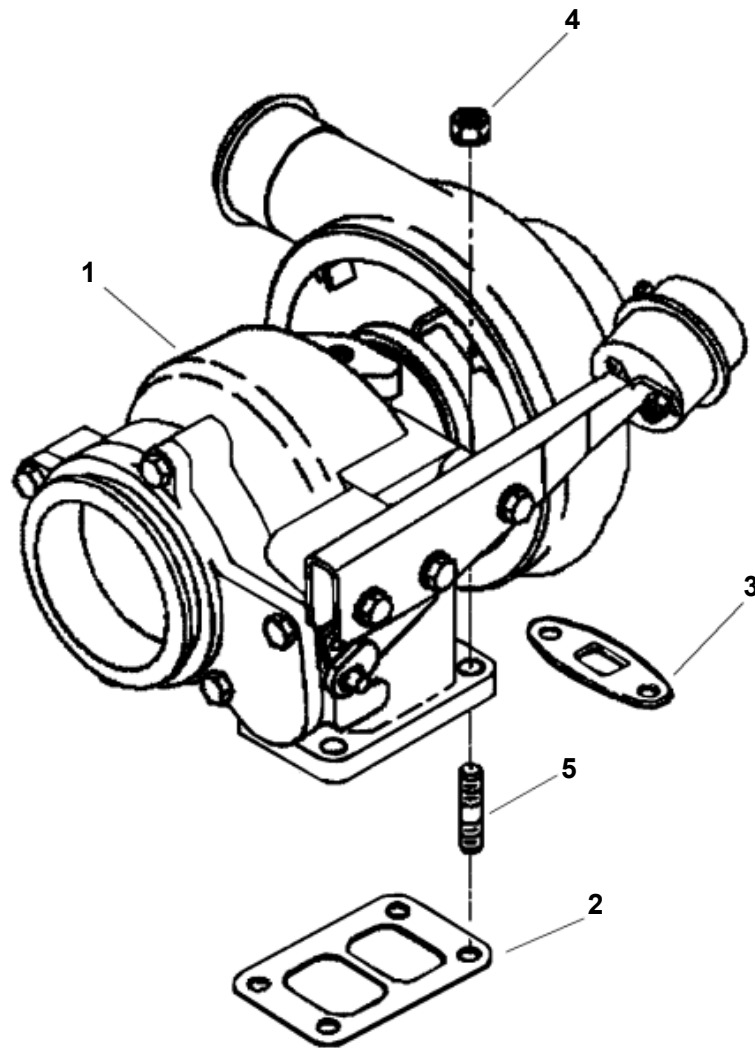
| ITEM NO. | PART NO. | DESCRIPTION | Q'TY |
|----------|--------------|--------------------------------------|------|
| | 6745-21-7110 | HOUSING ASSEMBLY, CRANKCASE BREATHER | 1 |
| 1 | 6745-21-7120 | · SEAL, O-RING | 1 |
| 2 | (NSS) | · HOUSING, BREATHER | 1 |
| 3 | 6735-71-5190 | BOLT (M6-1.00x20) | 2 |
| 4 | 6745-21-7181 | TUBE, LUBRICATING OIL DRAIN | 1 |
| 5 | 6745-11-8250 | BRACKET, TUBE | 1 |
| 6 | 6216-24-5730 | CLIP | 2 |
| 7 | 04434-51008 | CLAMP, HOSE | 1 |
| 8 | 6732-71-3210 | NUT (M8-1.25) | 1 |
| 9 | 01643-30823 | WASHER, PLAIN | 4 |
| 10 | 6731-71-6270 | BOLT (M8-1.25x14) | 1 |
| 11 | 6736-21-5310 | BOLT (M8-1.25x16) | 1 |
| 12 | 07285-00220 | CLIP | 1 |
| 13 | 07286-01960 | HOSE, BREATHER | 1 |



PC350HD S/N A00001 and up
A1118-A3A0 EXHAUST MANIFOLD

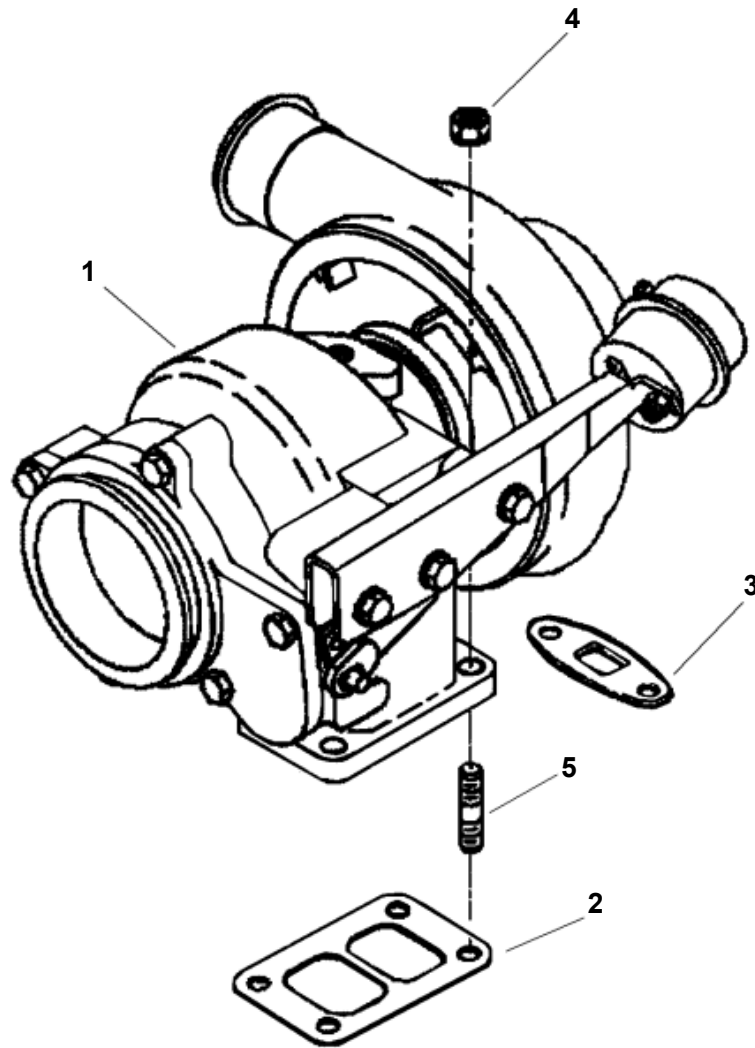
| ITEM NO. | PART NO. | DESCRIPTION | Q'TY |
|----------|--------------|--------------------------|------|
| 1 | 6745-11-5110 | MANIFOLD, EXHAUST | 1 |
| 2 | 6745-11-5810 | GASKET, EXHAUST MANIFOLD | 6 |
| 3 | 6732-11-5860 | BOLT | 6 |
| 4 | 6754-11-5150 | SPACER, MOUNTING | 12 |
| 5 | 6745-11-5120 | MANIFOLD, EXHAUST | 1 |
| 6 | 6745-11-5170 | BOLT (M10-1.5x65) | 6 |

FIG A1119-A3A1 A1119-A3A1 TURBOCHARGER MOUNTING NEW RELEASE



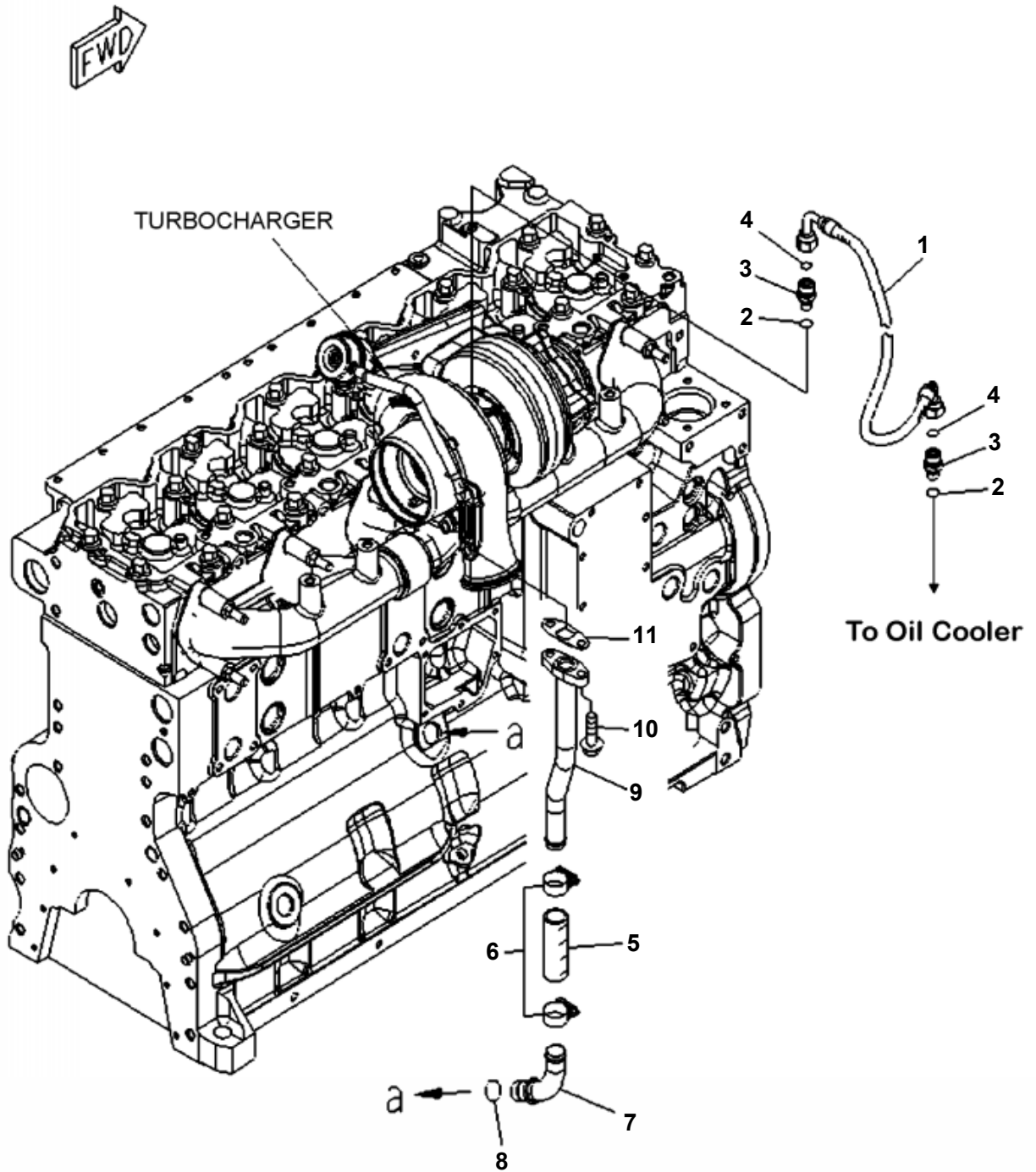
PC350HD S/N A00001 and up
A1119-A3A1 TURBOCHARGER MOUNTING NEW RELEASE

| ITEM NO. | PART NO. | DESCRIPTION | Q'TY |
|----------|--------------|---|------|
| 1 | (NSS) | KIT, TURBOCHARGER ((SEE FIG. A1202-A3A0)) | 1 |
| 2 | 6732-81-8830 | TURBOCHARGER | 1 |
| 3 | 6735-51-8180 | GASKET, TURBOCHARGER | 1 |
| 4 | 6732-81-8810 | GASKET, OIL DRAIN | 4 |
| 5 | 6732-81-8820 | STUD | 4 |
| | | NUT, HEX FLANGE (M10-1.50) | 4 |



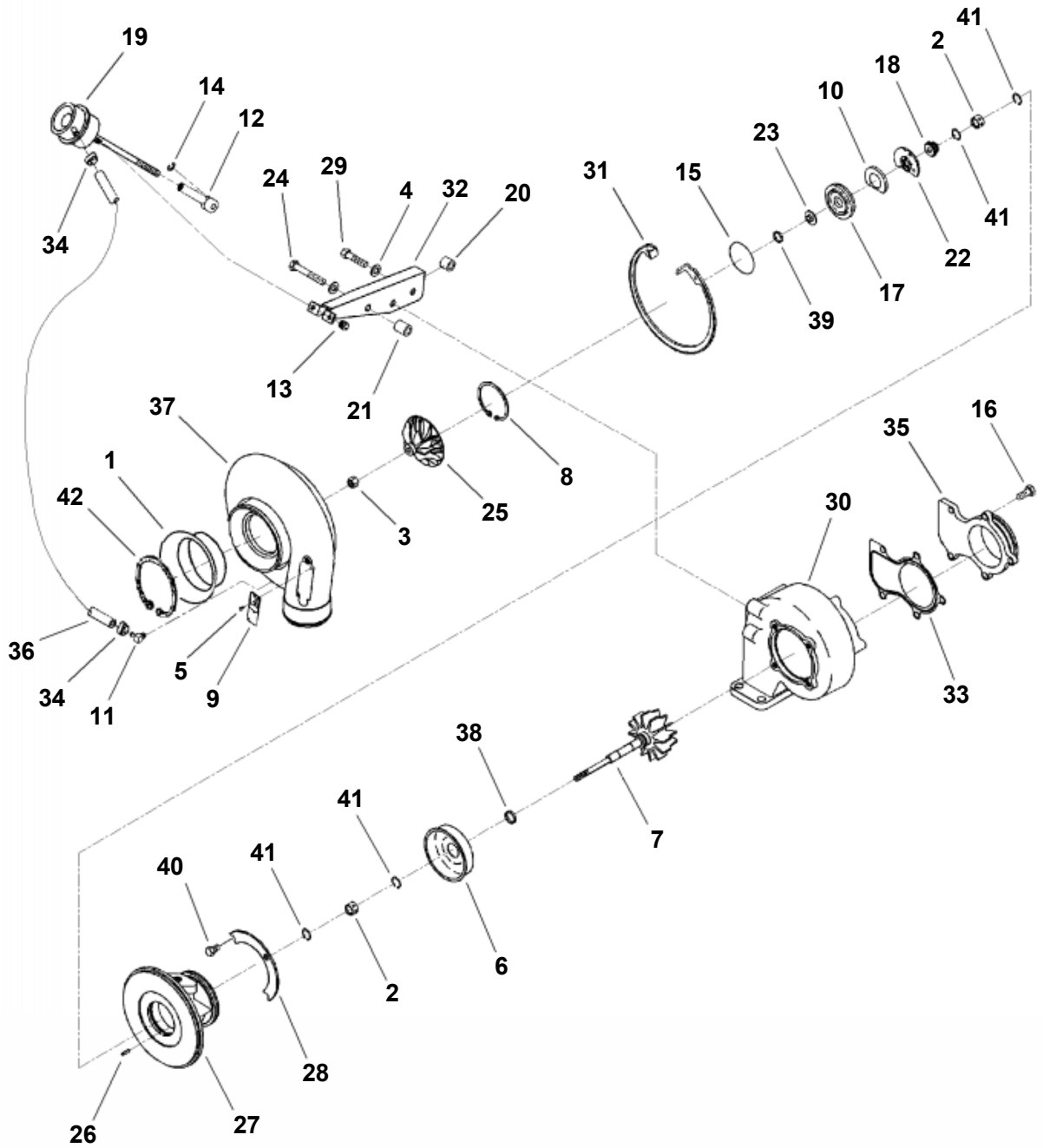
PC350HD S/N A00001 and up
A1120-A3A1 TURBOCHARGER MOUNTING ORIGINAL RELEASE

| ITEM NO. | PART NO. | DESCRIPTION | Q'TY |
|----------|--------------|---|------|
| 1 | (NSS) | KIT, TURBOCHARGER ((SEE FIG. A1203-A3A0)) | 1 |
| 2 | 6732-81-8830 | TURBOCHARGER | 1 |
| 3 | 6735-51-8180 | GASKET, TURBOCHARGER | 1 |
| 4 | 6732-81-8820 | GASKET, OIL DRAIN | 4 |
| 5 | 6732-81-8810 | NUT, HEX FLANGE (M10-1.50) | 4 |
| | | STUD | 4 |



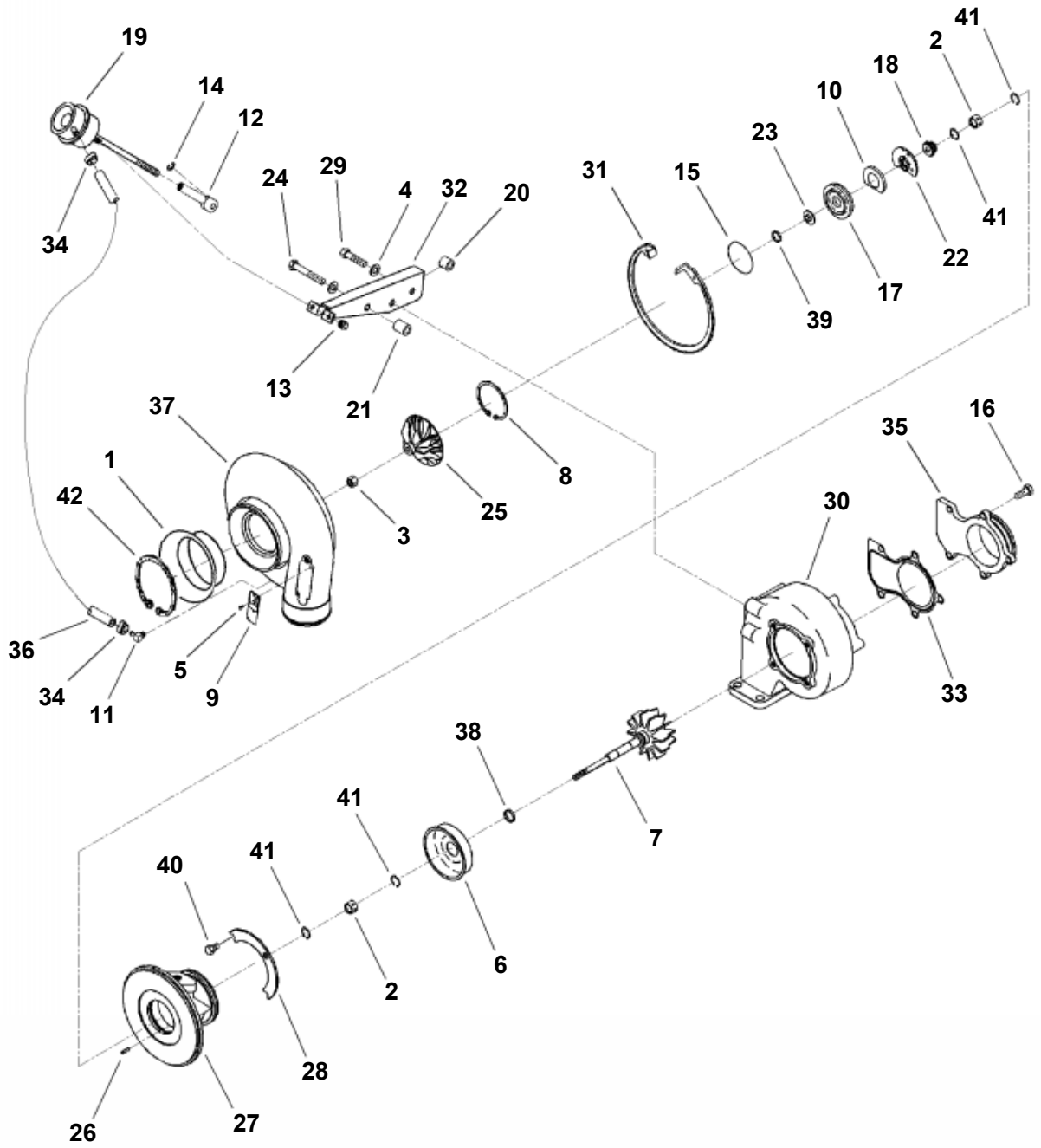
PC350HD S/N A00001 and up
A1120-A3A4 TURBOCHARGER OIL PIPING

| ITEM NO. | PART NO. | DESCRIPTION | Q'TY |
|----------|--------------|---|------|
| 1 | 6745-51-8130 | HOSE, FLEXIBLE | 1 |
| | 6745-61-8160 | CONNECTOR ASSEMBLY, MALE | 2 |
| 2 | 6737-51-8770 | · O-RING | 2 |
| 3 | (NSS) | · CONNECTOR | 2 |
| 4 | 6732-81-8860 | · O-RING | 2 |
| 5 | 6736-21-6110 | HOSE, PLAIN | 1 |
| 6 | 6734-71-5170 | CLAMP, HOSE | 2 |
| 7 | 6745-51-8110 | TUBE, TURBOCHARGER OIL DRAIN | 1 |
| 8 | 6731-51-8150 | O-RING | 1 |
| 9 | 6745-51-8120 | CONNECTION, TURBOCHARGER OIL DRAIN | 1 |
| 10 | 6732-71-3220 | BOLT | 2 |
| 11 | | GASKET, OIL DRAIN ((SEE FIG. A1120-A3A1)) | |
| N/I | 6216-71-7210 | NUT | 1 |
| | 6745-51-8140 | CLAMP, TUBE | 1 |



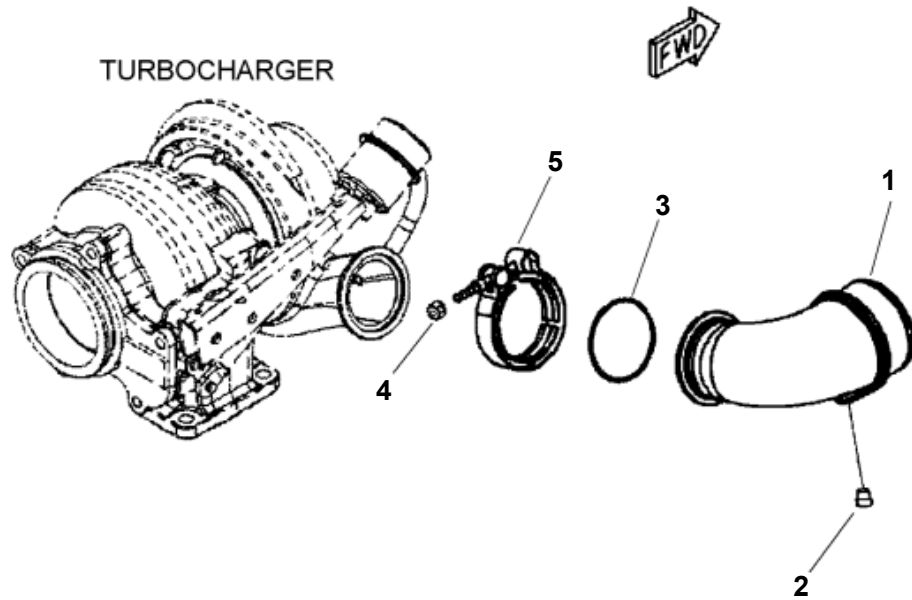
**PC350HD S/N A00001 and up
A1202-A3A0 TURBOCHARGER NEW RELEASE**

| ITEM NO. | PART NO. | DESCRIPTION | Q'TY |
|----------|--------------|---------------------------------------|------|
| | 6745-81-8230 | TURBOCHARGER | 1 |
| | (NSS) | · TURBOCHARGER | 1 |
| 1 | (NSS) | · · BAFFLE, TURBOCHARGER NOISE | 1 |
| 2 | 6736-81-8370 | · · BEARING, TURBOCHARGER | 2 |
| 3 | 6731-82-8210 | · · NUT, LOCK | 1 |
| 4 | 6733-81-8650 | · · WASHER, PLAIN | 3 |
| 5 | 6736-81-8480 | · · BOLT | 2 |
| 6 | 6736-81-8430 | · · SHIELD, TURBOCHARGER HEAT | 1 |
| 7 | (NSS) | · · SHAFT & WHEEL | 1 |
| 8 | 6733-81-8360 | · · RING, RETAINING | 1 |
| 9 | (NSS) | · · DATAPLATE | 1 |
| 10 | (NSS) | · · BAFFLE, OIL | 1 |
| 11 | (NSS) | · · COUPLING, ELBOW HOSE | 1 |
| 12 | (NSS) | · · END, ADJUSTING LINK | 1 |
| 13 | 6743-82-8610 | · · NUT, HEXAGON FLANGE | 2 |
| 14 | 6733-81-8370 | · · RING, RETAINING | 1 |
| 15 | 6733-81-8460 | · · SEAL, O RING | 1 |
| 16 | 6743-82-8130 | · · BOLT (M8-1.25x20) | 5 |
| 17 | (NSS) | · · PLATE, OIL SEAL | 1 |
| 18 | (NSS) | · · SLINGER, OIL | 1 |
| 19 | (NSS) | · · ACTUATOR, TURBOCHARGER | 1 |
| 20 | 6733-81-6850 | · · SPACER, MOUNTING | 3 |
| 21 | 6735-81-6810 | · · SPACER, MOUNTING | 1 |
| 22 | 6735-82-8220 | · · BEARING, TURBOCHARGER THRUST | 1 |
| 23 | 6735-81-8620 | · · COLLAR, THRUST | 1 |
| 24 | 6742-01-5569 | · · BOLT | 1 |
| 25 | (NSS) | · · IMPELLER, TURBOCHARGER COMPRESSOR | 1 |
| 26 | 6733-81-8480 | · · PIN, ROLL | 1 |
| 27 | (NSS) | · · HOUSING, TURBOCHARGER BEARING | 1 |
| 28 | (NSS) | · · PLATE, CLAMPING | 2 |
| 29 | 6735-81-8370 | · · BOLT | 2 |
| 30 | (NSS) | · · HOUSING, TURBINE | 1 |
| 31 | 6735-81-8310 | · · RING, RETAINING | 1 |
| 32 | 6735-81-8490 | · · BRACKET, ACTUATOR | 1 |
| 33 | 6742-01-5565 | · · GASKET, ADAPTER | 1 |
| 34 | 6742-01-5564 | · · CLAMP, HOSE | 2 |
| 35 | 1317 839 H1 | · · CONNECTION, ADAPTER | 1 |
| 36 | 6742-01-5566 | · · HOSE, PLAIN | 1 |
| 37 | (NSS) | · · HOUSING, COMPRESSOR | 1 |
| 38 | 6736-81-8440 | · · SEAL, SPLIT RING | 1 |
| 39 | 6736-81-8320 | · · SEAL, SPLIT RING | 1 |
| 40 | 6736-81-8380 | · · BOLT (M8-1.25x12) | 6 |
| 41 | 6736-81-8360 | · · RING, RETAINING | 4 |
| 42 | 6743-82-8140 | · · RING, RETAINING | 1 |



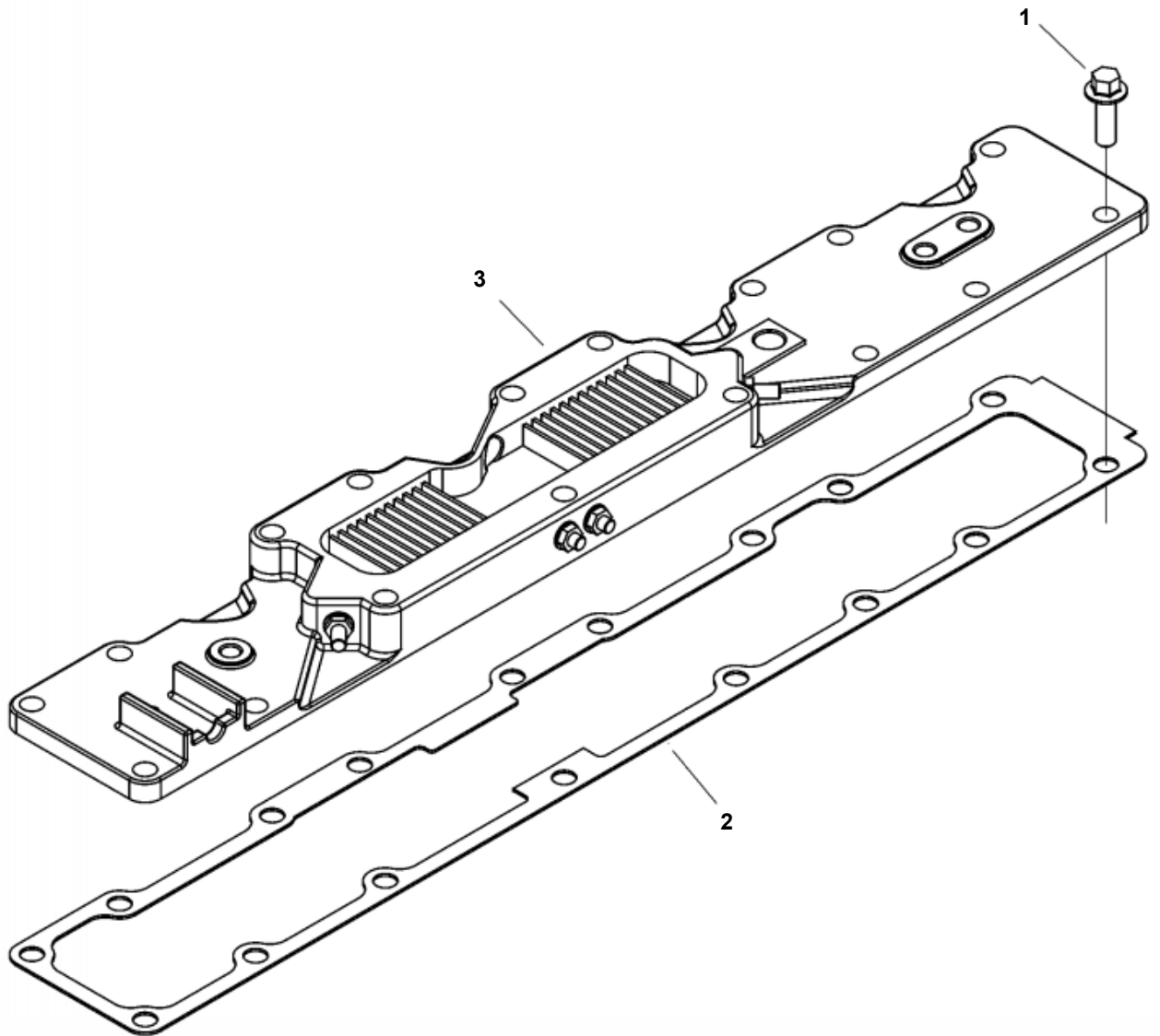
PC350HD S/N A00001 and up
A1203-A3A0 TURBOCHARGER ORIGINAL RELEASE

| ITEM NO. | PART NO. | DESCRIPTION | Q'TY |
|----------|--------------|---------------------------------------|------|
| | 6745-82-8010 | TURBOCHARGER | 1 |
| | (NSS) | · TURBOCHARGER | 1 |
| 1 | (NSS) | · · BAFFLE, TURBOCHARGER NOISE | 1 |
| 2 | 6736-81-8370 | · · BEARING, TURBOCHARGER | 2 |
| 3 | 6731-82-8210 | · · NUT, LOCK | 1 |
| 4 | 6733-81-8650 | · · WASHER, PLAIN | 3 |
| 5 | 6736-81-8480 | · · BOLT | 2 |
| 6 | 6736-81-8430 | · · SHIELD, TURBOCHARGER HEAT | 1 |
| 7 | (NSS) | · · SHAFT & WHEEL | 1 |
| 8 | 6733-81-8360 | · · RING, RETAINING | 1 |
| 9 | (NSS) | · · DATAPLATE | 1 |
| 10 | (NSS) | · · BAFFLE, OIL | 1 |
| 11 | 6732-81-8140 | · · COUPLING, ELBOW HOSE | 1 |
| 12 | (NSS) | · · END, ADJUSTING LINK | 1 |
| 13 | 6743-82-8610 | · · NUT, HEXAGON FLANGE | 1 |
| 14 | 6733-81-8370 | · · RING, RETAINING | 1 |
| 15 | 6733-81-8460 | · · SEAL, O RING | 1 |
| 16 | 6743-82-8130 | · · BOLT (M8-1.25x20) | 5 |
| 17 | (NSS) | · · PLATE, OIL SEAL | 1 |
| 18 | (NSS) | · · SLINGER, OIL | 1 |
| 19 | (NSS) | · · ACTUATOR, TURBOCHARGER | 1 |
| 20 | 6733-81-6850 | · · SPACER, MOUNTING | 3 |
| 21 | 6735-81-6810 | · · SPACER, MOUNTING | 1 |
| 22 | 6735-82-8220 | · · BEARING, TURBOCHARGER THRUST | 2 |
| 23 | 6735-81-8620 | · · COLLAR, THRUST | 1 |
| 24 | 6742-01-5569 | · · BOLT | 1 |
| 25 | (NSS) | · · IMPELLER, TURBOCHARGER COMPRESSOR | 1 |
| 26 | 6733-81-8480 | · · PIN, ROLL | 1 |
| 27 | (NSS) | · · HOUSING, TURBOCHARGER BEARING | 1 |
| 28 | (NSS) | · · PLATE, CLAMPING | 2 |
| 29 | 6735-81-8370 | · · BOLT | 2 |
| 30 | (NSS) | · · HOUSING, TURBINE | 1 |
| 31 | 6735-81-8310 | · · RING, RETAINING | 1 |
| 32 | 6735-81-8490 | · · BRACKET, ACTUATOR | 1 |
| 33 | 6742-01-5565 | · · GASKET, ADAPTER | 1 |
| 34 | 6742-01-5564 | · · CLAMP, HOSE | 2 |
| 35 | (NSS) | · · CONNECTION, ADAPTER | 1 |
| 36 | 6742-01-5566 | · · HOSE, PLAIN | 1 |
| 37 | (NSS) | · · HOUSING, COMPRESSOR | 1 |
| 38 | 6736-81-8440 | · · SEAL, SPLIT RING | 1 |
| 39 | 6736-81-8320 | · · SEAL, SPLIT RING | 1 |
| 40 | 6736-81-8380 | · · BOLT (M8-1.25x12) | 6 |
| 41 | 6736-81-8360 | · · RING, RETAINING | 4 |
| 42 | 6743-82-8140 | · · RING, RETAINING | 1 |



PC350HD S/N A00001 and up
A1205-A3A0 AIR TRANSFER CONNECTION

| ITEM NO. | PART NO. | DESCRIPTION | Q'TY |
|----------|--------------|--------------------|------|
| 1 | 1307 682 H1 | PIPE, AIR TRANSFER | 1 |
| 2 | 1240 101 H1 | PLUG, PIPE | 1 |
| 3 | 6738-11-4370 | SEAL, O-RING | 1 |
| 4 | 6738-11-4390 | NUT, LOCK | 1 |
| 5 | 1307 683 H1 | CLAMP, V-BAND | 1 |



Thank you so much for reading.
Please click the “Buy Now!”
button below to download the
complete manual.



After you pay.

You can download the most
perfect and complete manual in
the world immediately.

Our support email:

ebooklibonline@outlook.com