

PC350LC-7E0 S/N 30001-UP (ecot3)
PC350LC-7E0 S/N 30001-UP (ecot3)

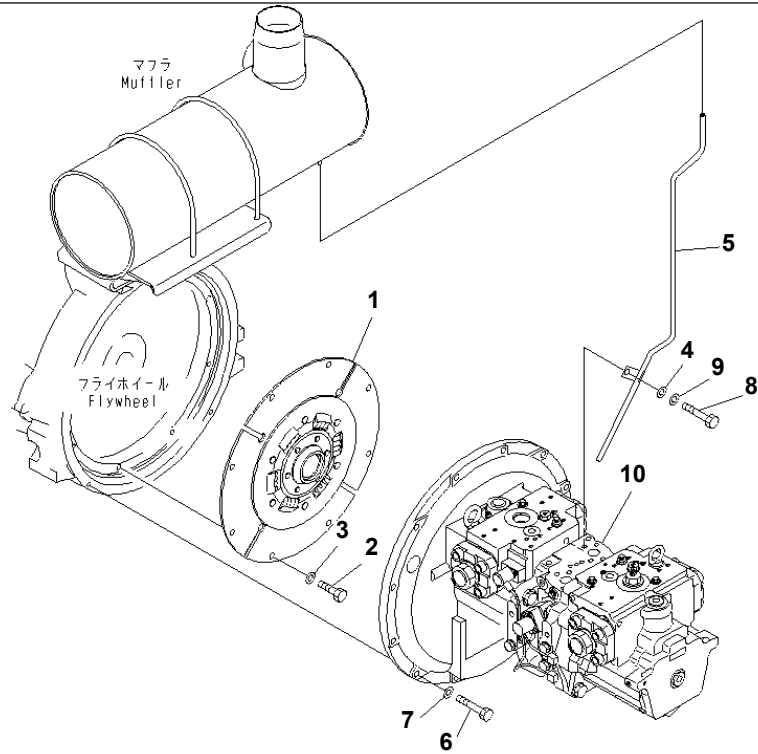
Item	Part Name
	SAA6D114E-3A-WT S/N 26850001-UP
B0	ENGINE RELATED PARTS
C0	COOLING SYSTEM
D0	FUEL TANK AND RELATED PARTS
E0	ELECTRICAL SYSTEM
H0	HYDRAULIC SYSTEM
J0	MAIN/REVOLVING FRAME AND RELATED PARTS
K0	OPERATOR'S COMPARTMENT AND CONTROL SYSTEM
M0	GUARD
N0	SWING CIRCLE AND RELATED PARTS
P0	TRAVEL AND LOWER PIPING
R0	UNDER CARRIAGE
T0	WORK EQUIPMENT
U0	MARKS AND PLATES
V0	ACCESSORY
W0	MISCELLANEOUS
Y0	SERVICE KIT AND COMPONENT PARTS

PC350LC-7E0 S/N 30001-UP (ecot3)

ENGINE RELATED PARTS

Item	Part Name	Qty
10	DAMPER?PUMP AND TUBE	1
20	ENGINE MOUNTING	1
30	AIR CLEANER CONNECTION	1
40	AIR CLEANER CONNECTION (WITH PRE-CLEANER)	1

PC350LC-7E0 S/N 30001-UP (ecot3)
00022801



00022801

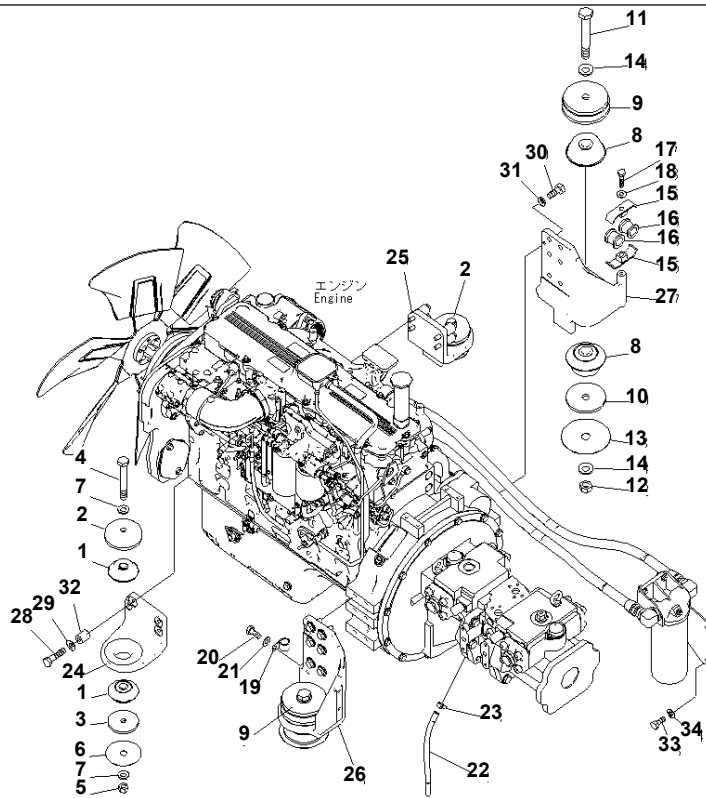
Ref. B0000-01H0

Page 030010

PC350LC-7E0 S/N 30001-UP (ecot3)
DAMPER?PUMP AND TUBE

Item	Part No.	Part Name	Qty	Serial No.
1	207-01-71310	DAMPER	1	30001-
2	01010-81225	BOLT	8	30001-
3	01643-31232	WASHER	8	30001-
4	6691-21-6360	SPACER	1	30001-
5	6743-11-5740	TUBE	1	30001-
6	01010-81240	BOLT	11	30001-
7	01643-31232	WASHER	11	30001-
8	01010-81245	BOLT	1	30001-
9	01643-31232	WASHER	1	30001-
10	(708-2G-00700)	PUMP ASS'Y	1	30001-

PC350LC-7E0 S/N 30001-UP (ecot3)
00038092



00038092

Ref. B0100-01H0

Page 030020

PC350LC-7E0 S/N 30001-UP (ecot3)
ENGINE MOUNTING

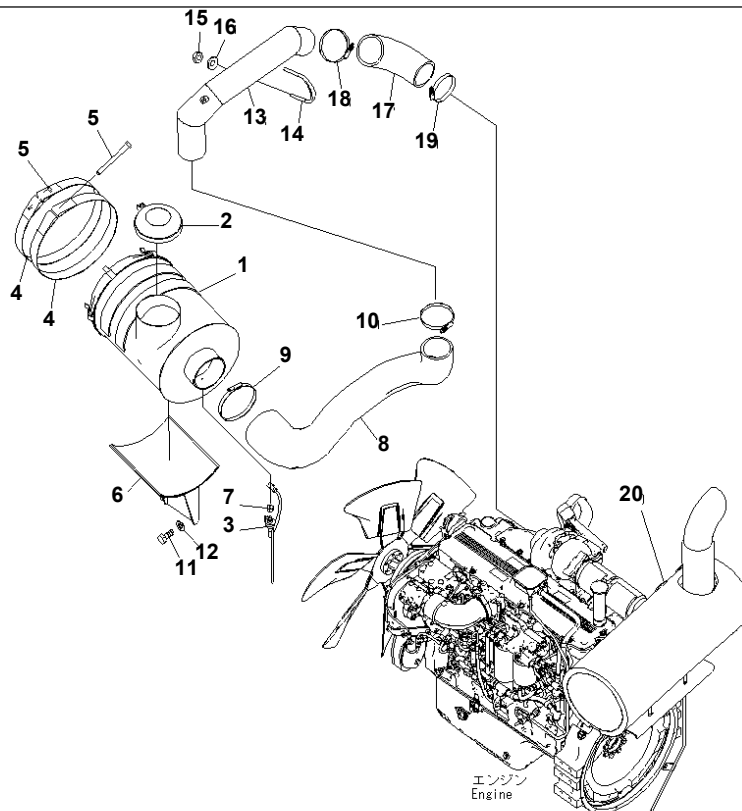
Item	Part No.	Part Name	Qty	Serial No.
1	23S-01-11140	CUSHION	4	30001-
2	207-01-61150	STOPPER	2	30001-
3	207-01-75150	PLATE	2	30001-
4	207-01-55181	BOLT	2	30001-
5	01580-01815	NUT	2	30001-
6	207-01-55390	PLATE	2	30001-30098
7	01643-31845	WASHER	4	30001-
8	208-01-55220	CUSHION	4	30001-
9	207-01-61170	STOPPER	2	30001-
10	208-01-11161	WASHER	2	30001-
11	208-01-11181	BOLT	2	30001-
12	01580-02419	NUT	2	30001-
13	207-46-31180	PLATE	2	30001-30098
14	01643-32460	WASHER	4	30001-
15	07094-30620	CLAMP	2	30001-
16	07095-00630	CUSHION	2	30001-
17	01010-81275	BOLT	1	30001-
18	01643-31232	WASHER	1	30001-
19	04434-52512	CLIP	1	30001-
20	01010-81220	BOLT	1	30001-
21	01643-31232	WASHER	1	30001-
22	07260-20932	HOSE	1	30001-
23	07285-00155	CLIP	1	30001-
24	207-01-75110	BRACKET	1	30001-
25	207-01-75120	BRACKET	1	30001-
26	207-01-75130	BRACKET	1	30001-
27	207-01-75140	BRACKET	1	30001-
28	01010-81275	BOLT	8	30001-
29	01643-31232	WASHER	8	30001-

PC350LC-7E0 S/N 30001-UP (ecot3)

ENGINE MOUNTING

Item	Part No.	Part Name	Qty	Serial No.
30	01010-81645	BOLT	12	30001-
31	01643-31645	WASHER	12	30001-
32	195-43-41530	COLLAR	8	30001-
33	01010-81230	BOLT	2	30001-
34	01643-31232	WASHER	2	30001-

PC350LC-7E0 S/N 30001-UP (ecot3)
00045619



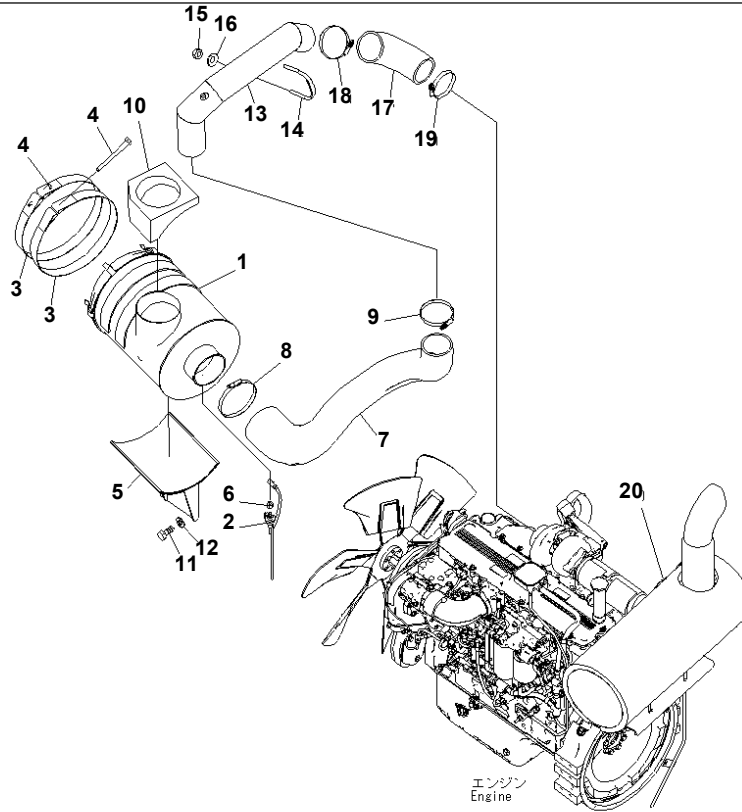
Ref. B0200-01H0

00045619

Page 030030

PC350LC-7E0 S/N 30001-UP (ecot3)
AIR CLEANER CONNECTION

Item	Part No.	Part Name	Qty	Serial No.
1	(6156-81-7201)	AIR CLEANER ASS'Y	1	30020-
	(☑6156-81-7200)	AIR CLEANER ASS'Y	1	(30001-30019)
2	6128-81-7420	SCREEN	1	30001-
3	7861-93-1420	SENSOR	1	30001-
4	6151-11-9970	BAND ASS'Y	2	30001-
5	6643-11-4641	BOLT	2	30001-
6	207-01-75160	BRACKET	1	30001-
7	11Y-01-11920	JOINT	1	30001-
8	207-01-75170	HOSE	1	30001-
9	208-01-72180	CLAMP	1	30001-
10	07299-00130	CLAMP	1	30001-
11	01010-81225	BOLT	4	30001-
12	01643-31232	WASHER	4	30001-
13	207-01-75180	TUBE	1	30001-
14	07283-31185	CLIP	1	30001-
15	01597-01211	NUT	2	30001-
16	01643-31232	WASHER	2	30001-
17	207-01-75190	HOSE	1	30001-
18	07299-00130	CLAMP	1	30001-
19	07299-00120	CLAMP	1	30001-
20	207-01-75310	COVER	1	30001-



00043933

Ref. B0200-01H1

Page 030040

PC350LC-7E0 S/N 30001-UP (ecot3)
AIR CLEANER CONNECTION (WITH PRE-CLEANER)

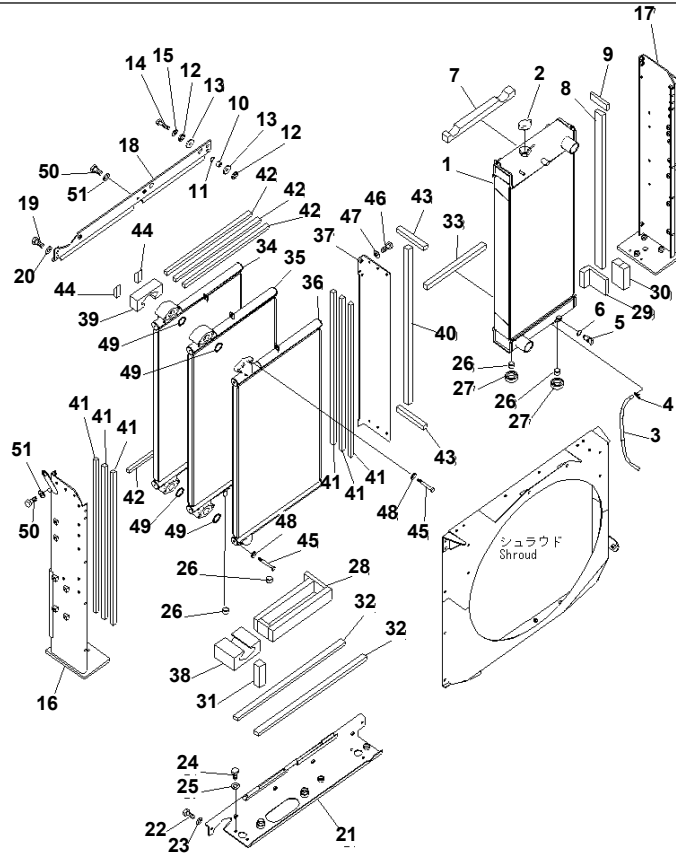
Item	Part No.	Part Name	Qty	Serial No.
1	(6156-81-7201)	AIR CLEANER ASS'Y	1	30020-
	(☑6156-81-7200)	AIR CLEANER ASS'Y	1	(30001-30019)
2	7861-93-1420	SENSOR	1	30001-
3	6151-11-9970	BAND ASS'Y	2	30001-
4	6643-11-4641	BOLT	2	30001-
5	207-01-75160	BRACKET	1	30001-
6	11Y-01-11920	JOINT	1	30001-
7	207-01-75170	HOSE	1	30001-
8	208-01-72180	CLAMP	1	30001-
9	07299-00130	CLAMP	1	30001-
10	208-01-72310	SEAL	1	30001-
11	01010-81225	BOLT	4	30001-
12	01643-31232	WASHER	4	30001-
13	207-01-75180	TUBE	1	30001-
14	07283-31185	CLIP	1	30001-
15	01597-01211	NUT	2	30001-
16	01643-31232	WASHER	2	30001-
17	207-01-75190	HOSE	1	30001-
18	07299-00130	CLAMP	1	30001-
19	07299-00120	CLAMP	1	30001-
20	207-01-75310	COVER	1	30001-

PC350LC-7E0 S/N 30001-UP (ecot3)

COOLING SYSTEM

Item	Part Name	Qty
10	COOLING (RADIATOR AND OIL COOLER)	1
20	COOLING (SHROUD)(#30001-55909)	1
30	COOLING (SHROUD)(#55910-)	1
40	COOLING (AFTER COOLER AND CONDENSER)	1
50	COOLING (RADIATOR PIPING)	1
60	COOLING (STAY AND SOUND SHEET)	1
70	COOLING (AIR COOLER PIPING AND AND SUB TANK)	1

PC350LC-7E0 S/N 30001-UP (ecot3)
00037579



00037579

Ref. C0100-01H0

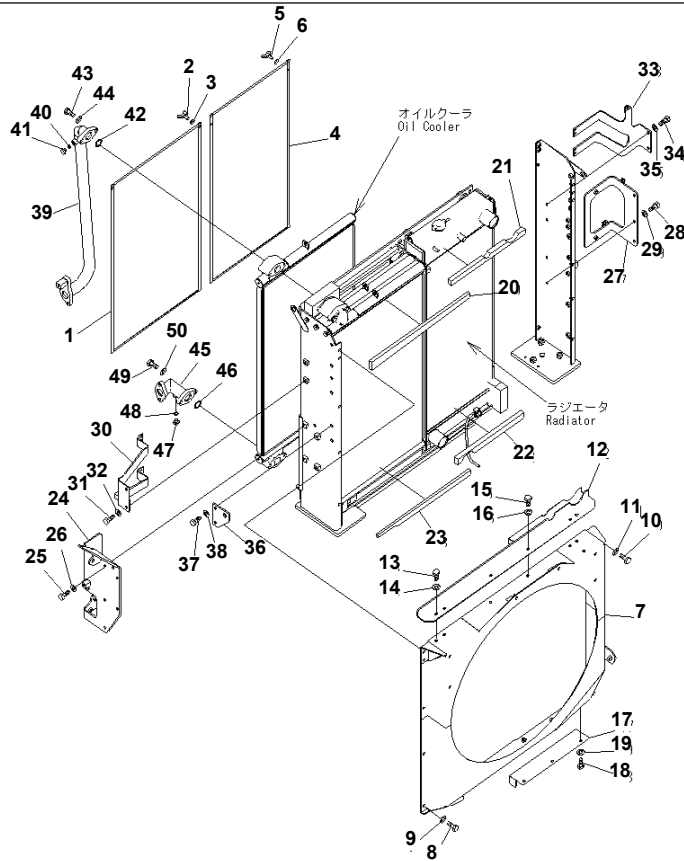
Page 060010

PC350LC-7E0 S/N 30001-UP (ecot3)
COOLING (RADIATOR AND OIL COOLER)

Item	Part No.	Part Name	Qty	Serial No.
1	207-03-75120	RADIATOR ASS'Y	1	30001-
2	20Y-03-22110	CAP	1	30001-
3	205-03-71230	HOSE	1	30001-
4	20Y-03-11330	CLIP	1	30001-
5	205-03-62660	PLUG	1	30001-
6	07000-11007	O-RING	1	30001-
7	208-03-71730	SEAL	1	30001-
8	208-03-71810	SEAL	1	30001-
9	208-03-71840	SEAL	1	30001-
10	201-03-29160	SPACER	2	30001-
11	07002-12434	O-RING	2	30001-
12	201-910-6730	CUSHION	4	30001-
13	207-03-75590	PLATE	4	30001-
14	01010-81045	BOLT	2	30001-
15	01643-31032	WASHER	2	30001-
16	207-03-75171	FRAME	1	30001-
17	207-03-75181	FRAME	1	30001-
18	208-03-71210	FRAME	1	30001-
19	01010-81225	BOLT	2	30001-
20	01643-31232	WASHER	2	30001-
21	208-03-71221	FRAME	1	30001-
22	01010-81025	BOLT	2	30001-
23	01643-31032	WASHER	2	30001-
24	01010-81020	BOLT	4	30001-
25	01643-31032	WASHER	4	30001-
26	22B-03-12590	CUSHION	4	30001-
27	208-03-71380	CUSHION	2	30001-
28	208-03-71480	SEAL	1	30001-
29	208-03-71490	SEAL	1	30001-

PC350LC-7E0 S/N 30001-UP (ecot3)
COOLING (RADIATOR AND OIL COOLER)

Item	Part No.	Part Name	Qty	Serial No.
30	208-03-71780	SEAL	1	30001-
31	208-03-71790	SEAL	1	30001-
32	208-03-71821	SEAL	2	30001-
33	208-03-71830	SEAL	1	30001-
34	208-03-71131	OIL COOLER	1	30001-
35	208-03-71141	OIL COOLER	1	30001-
36	208-03-71151	OIL COOLER	1	30001-
37	208-03-71190	FRAME	1	30001-
38	208-03-71680	SEAL	1	30001-
39	208-03-71690	SEAL	1	30001-
40	208-03-71850	SEAL	1	30001-
41	208-03-71860	SEAL	6	30001-
42	208-03-71870	SEAL	4	30001-
43	208-03-71880	SEAL	2	30001-
44	208-03-71890	SEAL	2	30001-
45	01011-81205	BOLT	4	30001-
46	01010-81020	BOLT	6	30001-
47	01643-31032	WASHER	6	30001-
48	01643-31232	WASHER	4	30001-
49	07000-13045	O-RING	4	30001-
50	01010-81025	BOLT	4	30001-
51	01643-31032	WASHER	4	30001-



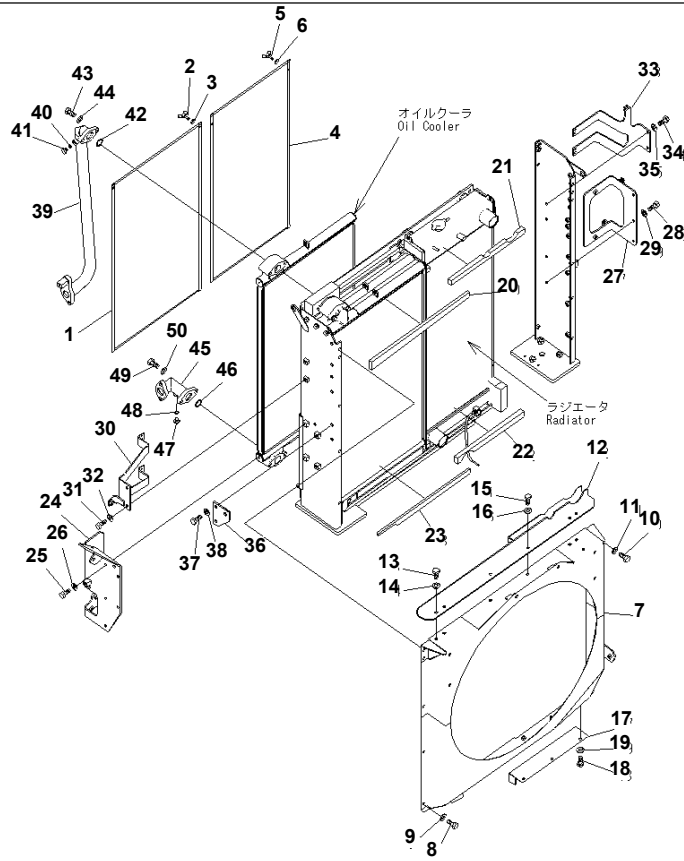
00037580-V

PC350LC-7E0 S/N 30001-UP (ecot3)
COOLING (SHROUD)(#30001-55909)

Item	Part No.	Part Name	Qty	Serial No.
1	208-03-71360	NET	1	30001-@
2	01434-10616	BOLT, WING	2	30001-@
3	01643-30623	WASHER	2	30001-@
4	208-03-71370	NET	1	30001-@
5	01434-10616	BOLT, WING	2	30001-@
6	01643-30623	WASHER	2	30001-@
7	207-03-75252	SHROUD	1	30001-@
8	01010-81020	BOLT	7	30001-@
9	01643-31032	WASHER	7	30001-@
10	01010-81025	BOLT	4	30001-@
11	01643-31032	WASHER	4	30001-@
12	207-03-75260	COVER	1	30001-@
13	01010-81025	BOLT	4	30001-@
14	01643-31032	WASHER	4	30001-@
15	01010-81020	BOLT	2	30001-@
16	01643-31032	WASHER	2	30001-@
17	207-03-75270	COVER	1	30001-@
18	01010-81020	BOLT	3	30001-@
19	01643-31032	WASHER	3	30001-@
20	208-03-71720	SEAL	1	30001-@
21	208-03-71741	SEAL	1	30001-@
22	208-03-71751	SEAL	1	30001-@
23	208-03-71760	SEAL	1	30001-@
24	207-03-75231	BRACKET	1	30001-@
25	01010-81025	BOLT	4	30001-@
26	01643-31032	WASHER	4	30001-@
27	207-03-75241	BRACKET	1	30001-@
28	01010-81020	BOLT	2	30001-@
29	01643-31032	WASHER	2	30001-@

PC350LC-7E0 S/N 30001-UP (ecot3)
COOLING (SHROUD)(#30001-55909)

Item	Part No.	Part Name	Qty	Serial No.
30	207-979-7621	BRACKET	1	30001-55909
31	01010-81020	BOLT	2	30001-@
32	01643-31032	WASHER	2	30001-@
33	207-979-7631	BRACKET	1	30001-@
34	01010-81020	BOLT	2	30001-@
35	01643-31032	WASHER	2	30001-@
36	207-03-75190	BRACKET	1	30001-@
37	01010-81225	BOLT	2	30001-@
38	01643-31232	WASHER	2	30001-@
39	207-03-75211	TUBE	3	30001-@
40	07002-11423	O-RING	1	30001-@
41	07040-11409	PLUG	1	30001-@
42	07000-13045	O-RING	1	30001-@
43	01010-81235	BOLT	3	30001-@
44	01643-31232	WASHER	3	30001-@
45	208-03-71350	TUBE	1	30001-@
46	07000-13045	O-RING	1	30001-@
47	07040-11409	PLUG	1	30001-@
48	07002-11423	O-RING	1	30001-@
49	01010-81235	BOLT	2	30001-@
50	01643-31232	WASHER	2	30001-@



00078323-V

Ref. C0100-02H0A

Page 060030

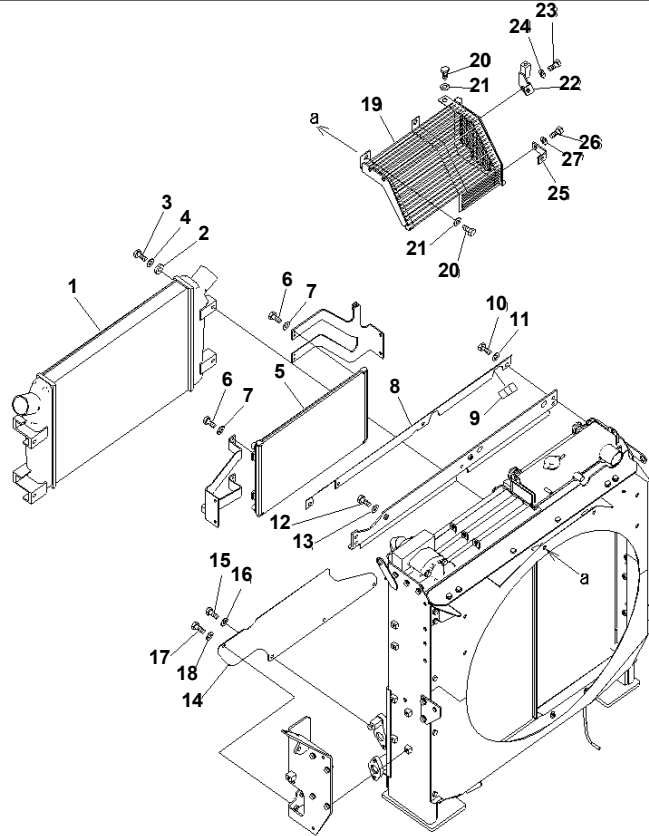
PC350LC-7E0 S/N 30001-UP (ecot3)
COOLING (SHROUD)(#55910-)

Item	Part No.	Part Name	Qty	Serial No.
1	208-03-71360	NET	1	30001-
2	01434-10616	BOLT, WING	2	30001-
3	01643-30623	WASHER	2	30001-
4	208-03-71370	NET	1	30001-
5	01434-10616	BOLT, WING	2	30001-
6	01643-30623	WASHER	2	30001-
7	207-03-75252	SHROUD	1	30001-
8	01010-81020	BOLT	7	30001-
9	01643-31032	WASHER	7	30001-
10	01010-81025	BOLT	4	30001-
11	01643-31032	WASHER	4	30001-
12	207-03-75260	COVER	1	30001-
13	01010-81025	BOLT	4	30001-
14	01643-31032	WASHER	4	30001-
15	01010-81020	BOLT	2	30001-
16	01643-31032	WASHER	2	30001-
17	207-03-75270	COVER	1	30001-
18	01010-81020	BOLT	3	30001-
19	01643-31032	WASHER	3	30001-
20	208-03-71720	SEAL	1	30001-
21	208-03-71741	SEAL	1	30001-
22	208-03-71751	SEAL	1	30001-
23	208-03-71760	SEAL	1	30001-
24	207-03-75231	BRACKET	1	30001-
25	01010-81025	BOLT	4	30001-
26	01643-31032	WASHER	4	30001-
27	207-03-75241	BRACKET	1	30001-
28	01010-81020	BOLT	2	30001-
29	01643-31032	WASHER	2	30001-

PC350LC-7E0 S/N 30001-UP (ecot3)
COOLING (SHROUD)(#55910-)

Item	Part No.	Part Name	Qty	Serial No.
30	207-979-7623	BRACKET	1	55910-
31	01010-81020	BOLT	2	30001-
32	01643-31032	WASHER	2	30001-
33	207-979-7631	BRACKET	1	30001-
34	01010-81020	BOLT	2	30001-
35	01643-31032	WASHER	2	30001-
36	207-03-75190	BRACKET	1	30001-
37	01010-81225	BOLT	2	30001-
38	01643-31232	WASHER	2	30001-
39	207-03-75211	TUBE	3	30001-
40	07002-11423	O-RING	1	30001-
41	07040-11409	PLUG	1	30001-
42	07000-13045	O-RING	1	30001-
43	01010-81235	BOLT	3	30001-
44	01643-31232	WASHER	3	30001-
45	208-03-71350	TUBE	1	30001-
46	07000-13045	O-RING	1	30001-
47	07040-11409	PLUG	1	30001-
48	07002-11423	O-RING	1	30001-
49	01010-81235	BOLT	2	30001-
50	01643-31232	WASHER	2	30001-

PC350LC-7E0 S/N 30001-UP (ecot3)
00037581



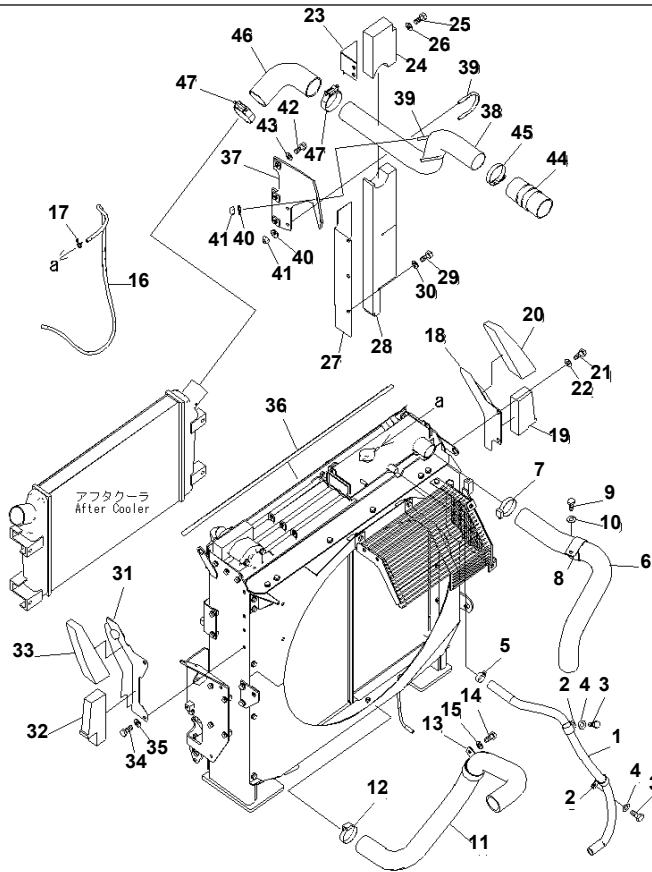
00037581-V

Ref. C0100-03H0

Page 060040

PC350LC-7E0 S/N 30001-UP (ecot3)
COOLING (AFTER COOLER AND CONDENSER)

Item	Part No.	Part Name	Qty	Serial No.
1	6152-62-5110	AFTERCOOLER ASS'Y	1	30001-
2	6110-23-6490	SPACER	4	30001-
3	01010-81040	BOLT	4	30001-
4	01643-31032	WASHER	4	30001-
5	208-979-7520	CONDENSER ASS'Y	1	30001-
6	01010-80616	BOLT	8	30001-
7	01643-30623	WASHER	8	30001-
8	208-03-71280	COVER	1	30001-
9	208-03-71770	SEAL	1	30001-
10	01010-81230	BOLT	2	30001-
11	01643-31232	WASHER	2	30001-
12	01010-81020	BOLT	2	30001-
13	01643-31032	WASHER	2	30001-
14	207-03-75471	COVER	1	30001-
15	01010-81016	BOLT	4	30001-
16	01643-31032	WASHER	4	30001-
17	01010-81020	BOLT	1	30001-
18	01643-31032	WASHER	1	30001-
19	207-03-75521	GUARD	1	30001-
20	01010-81225	BOLT	5	30001-
21	01643-31232	WASHER	5	30001-
22	207-03-75610	BRACKET	1	30001-
23	01010-81225	BOLT	1	30001-
24	01643-31232	WASHER	1	30001-
25	207-979-6180	BRACKET	1	30001-
26	01010-81225	BOLT	1	30001-
27	01643-31232	WASHER	1	30001-



00045620-V

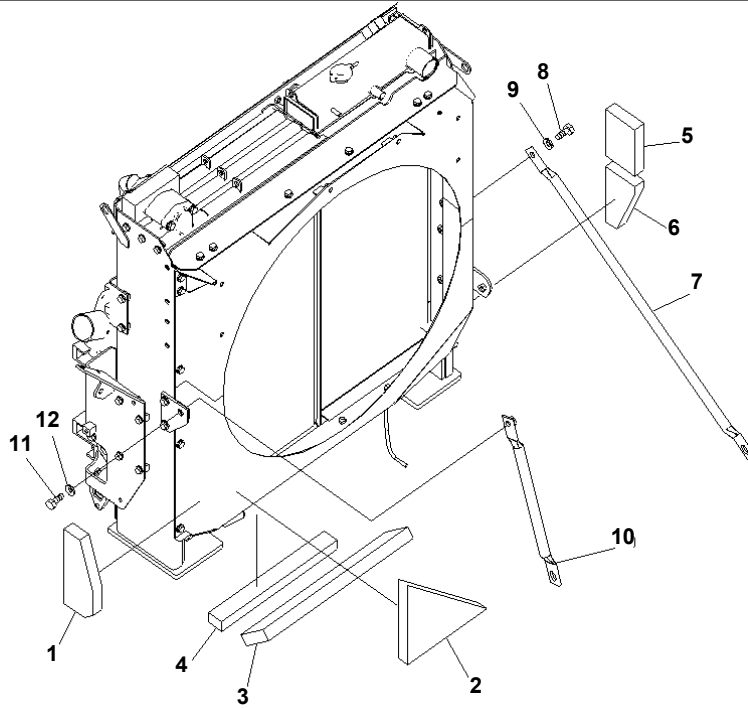
PC350LC-7E0 S/N 30001-UP (ecot3)
COOLING (RADIATOR PIPING)

Item	Part No.	Part Name	Qty	Serial No.
1	208-03-72151	HOSE	1	30001-
2	04434-53212	CLIP	2	30001-
3	01010-81220	BOLT	2	30001-
4	01643-31232	WASHER	2	30001-
5	07281-00359	CLAMP	1	30001-
6	207-03-75321	HOSE	1	30001-
7	07289-00070	CLAMP	1	30001-
8	207-03-51530	CLIP	1	30001-
9	01010-81230	BOLT	1	30001-
10	01643-31232	WASHER	1	30001-
11	207-03-75311	HOSE	1	30001-
12	07289-00070	CLAMP	1	30001-
13	207-03-51530	CLIP	1	30001-
14	01010-81230	BOLT	1	30001-
15	01643-31232	WASHER	1	30001-
16	20Y-03-31470	HOSE	1	30001-
17	206-03-43340	CLIP	1	30001-
18	207-03-75360	COVER	1	30001-
19	207-03-75410	・ SEAL	1	30001-
20	207-03-75460	・ SEAL	1	30001-
21	01010-81225	BOLT	2	30001-
22	01643-31232	WASHER	2	30001-
23	207-03-75371	COVER	1	30001-
24	207-03-75431	・ SEAL	1	30001-
25	01010-81225	BOLT	2	30001-
26	01643-31232	WASHER	2	30001-
27	207-03-75381	COVER	1	30001-
28	207-03-75441	・ SEAL	1	30001-
29	01010-81225	BOLT	3	30001-

**PC350LC-7E0 S/N 30001-UP (ecot3)
COOLING (RADIATOR PIPING)**

Item	Part No.	Part Name	Qty	Serial No.
30	01643-31232	WASHER	3	30001-
31	207-03-75351	COVER	1	30001-
32	207-03-75391	· SEAL	1	30001-
33	207-03-75450	· SEAL	1	30001-
34	01010-81225	BOLT	2	30001-
35	01643-31232	WASHER	2	30001-
36	208-03-71410	SEAL	1	30001-
37	207-01-75220	BRACKET	1	30001-
38	207-01-75231	TUBE	1	30001-
39	07283-37663	CLIP	2	30001-
40	01643-31032	WASHER	4	30001-
41	01597-01009	NUT	4	30001-
42	01010-81235	BOLT	3	30001-
43	01643-31232	WASHER	3	30001-
44	6152-12-4420	HOSE	1	30001-
45	07299-00080	CLAMP	1	30001-
46	207-01-75270	HOSE	1	30001-
47	207-01-75340	CLAMP	2	30001-

**PC350LC-7E0 S/N 30001-UP (ecot3)
00037583**



Ref. C0100-05H0

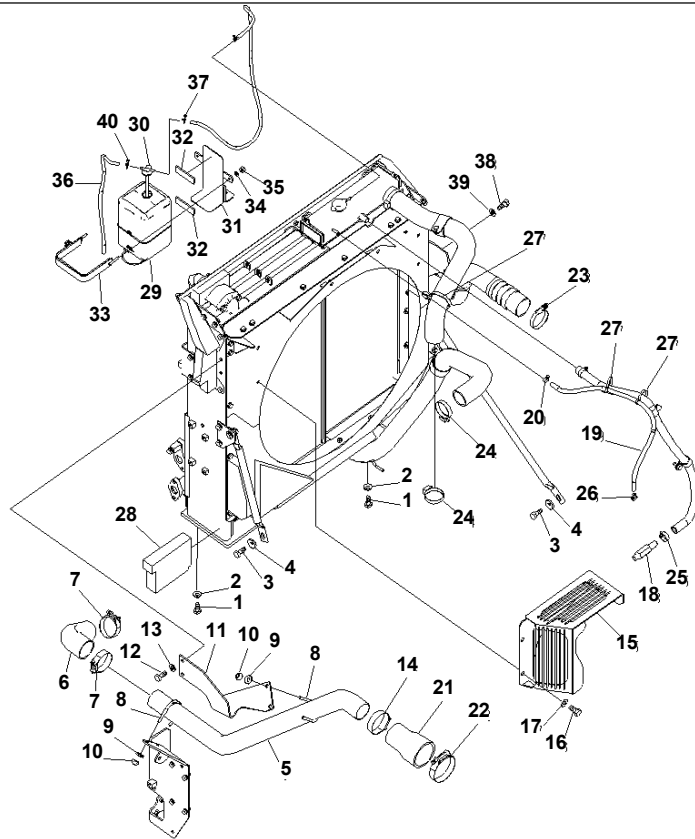
00037583-V

Page 060060

**PC350LC-7E0 S/N 30001-UP (ecot3)
COOLING (STAY AND SOUND SHEET)**

Item	Part No.	Part Name	Qty	Serial No.
1	207-03-76130	SHEET	1	30001-
2	207-03-76140	SHEET	1	30001-
3	207-03-76150	SHEET	1	30001-
4	207-03-76160	SHEET	1	30001-
5	207-03-76181	SHEET	1	30009-
	207-03-76180	SHEET	1	30001-30008
6	207-03-76190	SHEET	1	30001-
7	207-03-71211	STAY	1	30001-
8	01010-81640	BOLT	1	30001-
9	01643-31645	WASHER	1	30001-
10	22U-03-22280	STAY	1	30001-
11	01010-81635	BOLT	1	30001-
12	01643-31645	WASHER	1	30001-

PC350LC-7E0 S/N 30001-UP (ecot3)
00037584



00037584-V

Ref. C0100-06H0

Page 060070

PC350LC-7E0 S/N 30001-UP (ecot3)
COOLING (AIR COOLER PIPING AND AND SUB TANK)

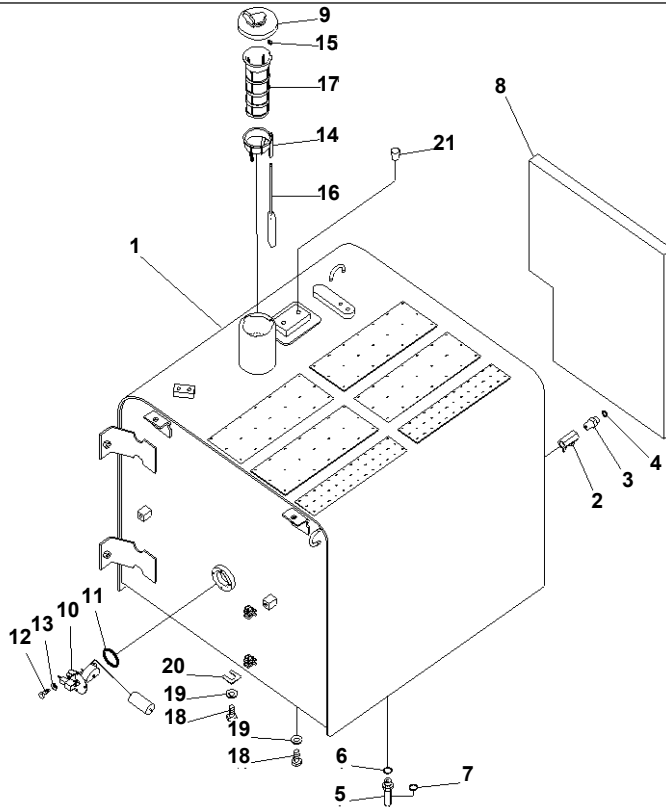
Item	Part No.	Part Name	Qty	Serial No.
1	01010-81640	BOLT	6	30001-
2	01643-31645	WASHER	6	30001-
3	01010-81640	BOLT	2	30001-
4	21T-54-16150	WASHER	2	30001-
5	207-01-75241	TUBE	1	30001-
6	207-01-75250	HOSE	1	30001-
7	207-01-75340	CLAMP	2	30001-
8	07283-37663	CLIP	2	30001-
9	01643-31032	WASHER	4	30001-
10	01597-01009	NUT	4	30001-
11	207-01-75210	BRACKET	1	30001-
12	01010-81230	BOLT	2	30001-
13	01643-31232	WASHER	2	30001-
14	21N-62-37921	CLAMP	1	30001-
15	207-03-75511	GUARD	1	30001-
16	01010-81225	BOLT	4	30001-
17	01643-31232	WASHER	4	30001-
18	207-03-75330	NIPPLE	1	30001-
19	09483-10309	HOSE	1	30001-
20	07281-00197	CLAMP	1	30001-
21	207-03-75110	HOSE	1	30001-
22	14X-01-35570	CLAMP	1	30001-
23	07299-00080	CLAMP	1	30001-
24	07289-00070	CLAMP	2	30001-
25	07281-00359	CLAMP	1	30001-
26	07281-00197	CLAMP	1	30001-
27	134-03-61410	BAND	4	30001-
28	207-46-77340	SEAL	1	30001-
29	419-03-21320	TANK ASS'Y	1	30001-

PC350LC-7E0 S/N 30001-UP (ecot3)
COOLING (AIR COOLER PIPING AND AND SUB TANK)

Item	Part No.	Part Name	Qty	Serial No.
30	421-03-22170	· CAP	1	30001-
31	207-03-75620	BRACKET	1	30001-
32	205-03-71440	· SHEET	2	30001-
33	207-03-75630	BAND	1	30001-
34	01643-30823	WASHER	2	30001-
35	01580-10826	NUT	2	30001-
36	208-03-58310	HOSE, 600MM	1	30001-
37	206-03-43340	CLIP	1	30001-
38	01010-81230	BOLT	2	30001-
39	01643-31232	WASHER	2	30001-
40	206-03-43340	CLIP	1	30001-

PC350LC-7E0 S/N 30001-UP (ecot3)
FUEL TANK AND RELATED PARTS

Item	Part Name	Qty
10	FUEL TANK(#30001-30043)	1
20	FUEL TANK(#30044-55937)	1
30	FUEL TANK(#55938-)	1
40	FUEL TANK (FOR FUEL REFILL PUMP)(#30001-30043)	1
50	FUEL TANK (FOR FUEL REFILL PUMP)(#30044-55937)	1
60	FUEL TANK (FOR FUEL REFILL PUMP)(#55938-)	1
70	FUEL LINES (PRE-FILTER AND RELATED PARTS)	1
80	FUEL LINES (HOSE AND CLAMP)	1

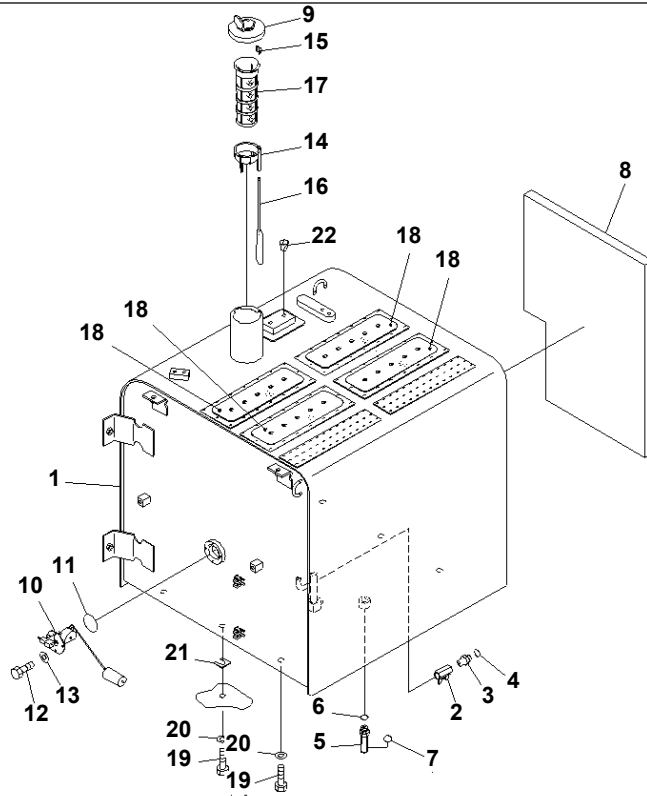


00037277

PC350LC-7E0 S/N 30001-UP (ecot3)
FUEL TANK(#30001-30043)

Item	Part No.	Part Name	Qty	Serial No.
1	207-04-75110	TANK	1	30001-@
2	07700-50455	VALVE	1	30001-@
3	8255-62-4591	CONNECTOR	1	30001-@
4	02896-11012	O-RING	1	30001-@
5	02782-10317	ELBOW	1	30001-@
6	07002-12034	O-RING	1	30001-@
7	02896-11009	O-RING	1	30001-@
8	207-04-75310	SHEET	1	30001-@
9	20Y-04-11160	CAP	1	30001-@
	20Y-04-11240	· PACKING	1	30001-@
10	7861-92-5810	SENSOR	1	30001-@
11	07000-13050	O-RING	1	30001-@
12	01010-80612	BOLT	4	30001-@
13	01643-30623	WASHER	4	30001-@
	22U-04-21241	STRAINER ASS'Y	1	30001-@
	22U-04-21200	· FLOAT ASS'Y	1	30001-@
14	22U-04-21210	· · GUIDE	1	30001-@
15	20Y-04-21580	· · CAP	1	30001-@
16	22U-04-21220	· · FLOAT	1	30001-@
17	07056-18425	· STRAINER	1	30001-@
18	01010-81635	BOLT	6	30001-@
19	01643-31645	WASHER	6	30001-@
20	195-03-11570	SHIM, 1.0MM	2	30001-@
21	07049-01215	PLUG	2	30001-@

PC350LC-7E0 S/N 30001-UP (ecot3)
00058076



00058076

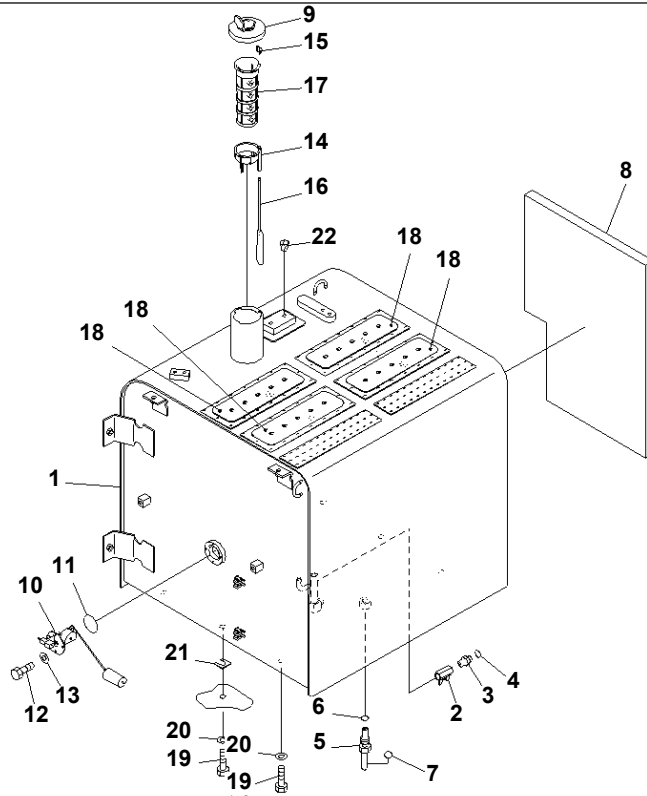
Ref. D0100-01H0A

Page 090020

PC350LC-7E0 S/N 30001-UP (ecot3)
FUEL TANK(#30044-55937)

Item	Part No.	Part Name	Qty	Serial No.
1	207-04-75111	TANK	1	55572-@
	□207-04-75110	TANK	1	30001-55571
2	07700-50455	VALVE	1	30001-@
3	8255-62-4591	CONNECTOR	1	30001-@
4	02896-11012	O-RING	1	30001-@
5	02782-10317	ELBOW	1	30001-55937
6	07002-12034	O-RING	1	30001-@
7	02896-11009	O-RING	1	30001-55937
8	207-04-75310	SHEET	1	30001-@
9	20Y-04-11161	CAP	1	55569-@
	20Y-04-11160	CAP	1	30001-55568
	20Y-04-11240	· PACKING	1	30001-@
10	7861-92-5810	SENSOR	1	30001-@
11	07000-13050	O-RING	1	30001-@
12	01010-80612	BOLT	4	30001-@
13	01643-30623	WASHER	4	30001-@
	22U-04-21241	STRAINER ASS'Y	1	30001-@
	22U-04-21200	· FLOAT ASS'Y	1	30001-@
14	22U-04-21210	· · GUIDE	1	30001-@
15	20Y-04-21580	· · CAP	1	30001-@
16	22U-04-21220	· · FLOAT	1	30001-@
17	07056-18425	· STRAINER	1	30001-@
18	20Y-00-42110	PLATE	4	30044-@
19	01010-81635	BOLT	6	30001-@
20	01643-31645	WASHER	6	30001-@
21	195-03-11570	SHIM, 1.0MM	2	30001-@
22	07049-01215	PLUG	2	30001-@

PC350LC-7E0 S/N 30001-UP (ecot3)
00082651



00082651

Ref. D0100-01H0B

Page 090030

PC350LC-7E0 S/N 30001-UP (ecot3)
FUEL TANK(#55938-)

Item	Part No.	Part Name	Qty	Serial No.
1	207-04-75111	TANK	1	55572-
2	07700-50455	VALVE	1	30001-
3	8255-62-4591	CONNECTOR	1	30001-
4	02896-11012	O-RING	1	30001-
5	207-04-75390	ELBOW	1	55938-
6	07002-12034	O-RING	1	30001-
7	02896-11009	O-RING	1	30001-
8	207-04-75310	SHEET	1	30001-
9	20Y-04-11161	CAP	1	55569-
	20Y-04-11240	· PACKING	1	30001-
10	7861-92-5810	SENSOR	1	30001-
11	07000-13050	O-RING	1	30001-
12	01010-80612	BOLT	4	30001-
13	01643-30623	WASHER	4	30001-
	22U-04-21241	STRAINER ASS'Y	1	30001-
	22U-04-21200	· FLOAT ASS'Y	1	30001-
14	22U-04-21210	· · GUIDE	1	30001-
15	20Y-04-21580	· · CAP	1	30001-
16	22U-04-21220	· · FLOAT	1	30001-
17	07056-18425	· STRAINER	1	30001-
18	20Y-00-42110	PLATE	4	30044-
19	01010-81635	BOLT	6	30001-
20	01643-31645	WASHER	6	30001-
21	195-03-11570	SHIM, 1.0MM	2	30001-
22	07049-01215	PLUG	2	30001-

Thank you so much for reading.
Please click the “Buy Now!”
button below to download the
complete manual.



After you pay.

You can download the most
perfect and complete manual in
the world immediately.

Our support email:

ebooklibonline@outlook.com