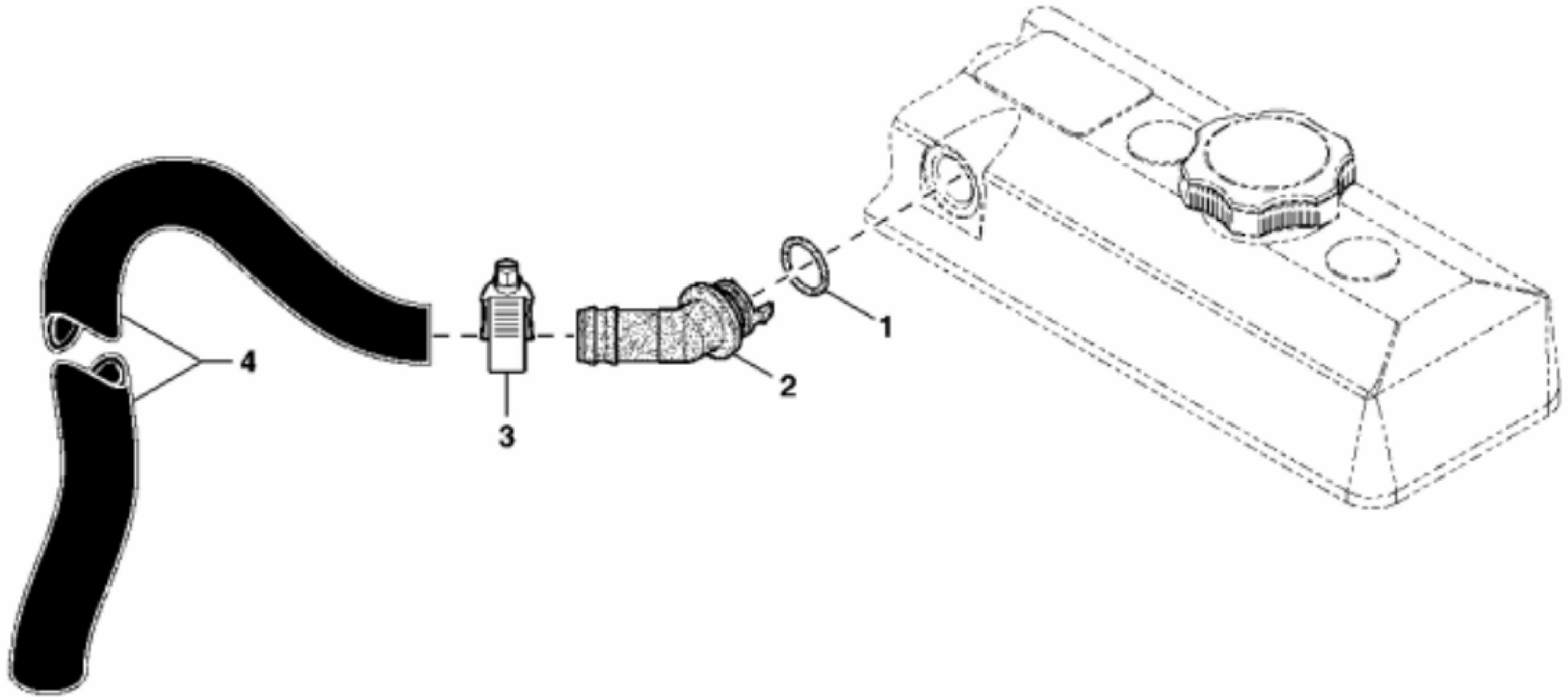


CDP46272B

John Deere > Agriculture >TRACTOR >SE6220 - TRACTOR >SE6020, SE6120, SE6220 Tractors (Europe Edition) >20 ENGINE, SE6 (4045DL070), SE6120 (4045TL070), SE6220 (4045TL071) >ST172404 - VALVE COVER

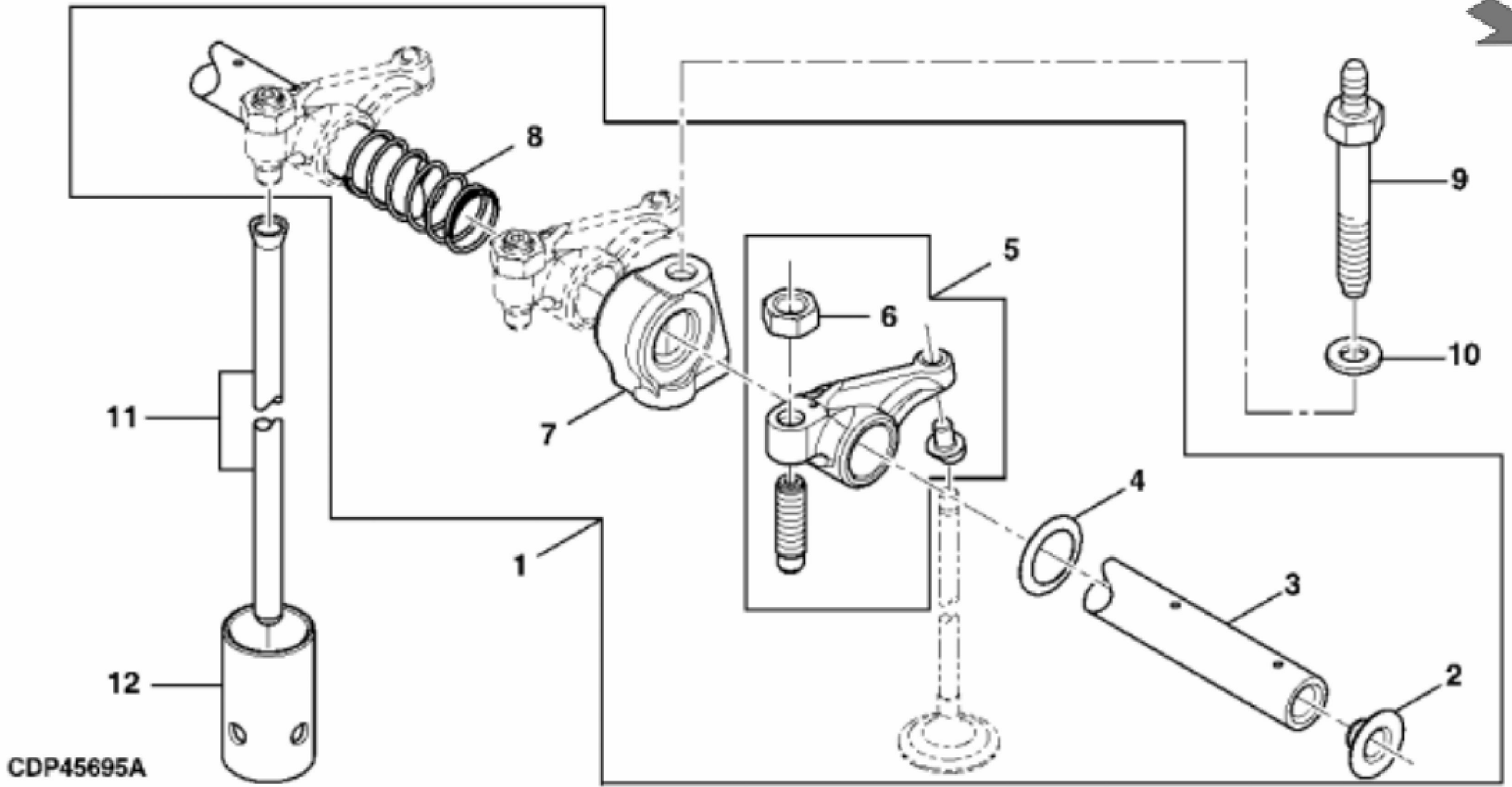
| KEY | PART NO. | PART NAME | QTY | REMARKS |
|-----|----------|-------------|-----|--|
| 1 | H23125 | PLUG | 4 | |
| 2 | R123574 | NUT | 4 | |
| 3 | R123575 | O-RING | 4 | |
| 4 | | VALVE COVER | 1 | (MARKED R501311 OR R519779) (ORDER RE70401, RE59801 AND R123542) |
| 5 | R524480 | GASKET | 1 | (SUB FOR R123542) |
| 5 | RE520539 | GASKET KIT | AR | (SUITABLE FOR HIGH TEMPERATURE) (INCLUDES INSTRUCTIONS) |
| 6 | R521401 | MEDALLION | 1 | (SUB FOR R116324) |



CDP46382

John Deere > Agriculture > TRACTOR > SE6220 - TRACTOR > SE6020, SE6120, SE6220 Tractors (Europe Edition) > 20 ENGINE, SE6 (4045DL070), SE6120 (4045TL070), SE6220 (4045TL071) > ST172406 - BREATHER

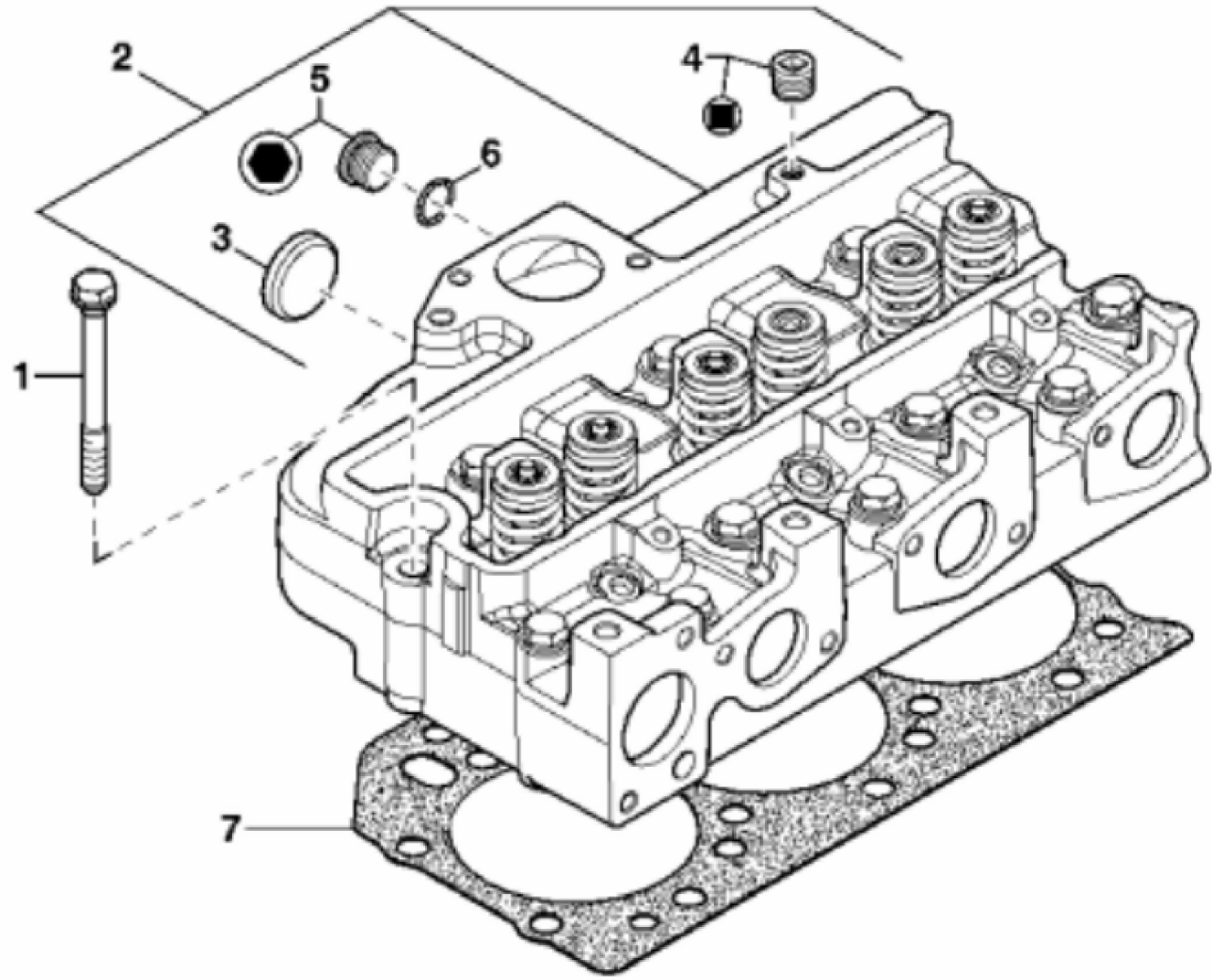
| KEY | PART NO. | PART NAME | QTY | REMARKS | |
|-----|----------|---------------|-----|--------------------------------|--|
| 1 | R72328 | O-RING | 1 | 18.720 X 2.616 mm | |
| 2 | R123586 | ELBOW FITTING | 1 | 135° | |
| 3 | TY22466 | CLAMP | 1 | | |
| 4 | R122401 | TUBE | 1 | (CUT TO LENGTH) LGTH = 1290 mm | |



CDP45695A

ROCKER ARM / SHAFT / TAPPET / PUSH ROD

| KEY | PART NO. | PART NAME | QTY | REMARKS |
|-----|----------|------------------|-----|----------------------------|
| 1 | RE519736 | ROCKER ARM SHAFT | 1 | |
| 2 | R54565 | PLUG | 2 | |
| 3 | R123513 | ROCKER ARM SHAFT | 1 | |
| 4 | T20316 | WASHER | 2 | 20.650 X 29.460 X 0.500 mm |
| 5 | RE508317 | ROCKER ARM | 8 | (SUB FOR RE68695) |
| 6 | 14M7148 | NUT | 1 | M10 |
| 7 | R123161 | SUPPORT | 4 | |
| 8 | T20314 | SPRING | 3 | |
| 9 | R123271 | STUD | 4 | |
| 10 | 24M7346 | WASHER | 4 | 11 X 20 X 2 mm |
| 11 | R107731 | PUSH ROD | 8 | LGTH = 265 mm, (10.43") |
| 12 | R123565 | CAM FOLLOWER | 8 | |



CDP46151A



Thank you so much for reading.
Please click the “Buy Now!”
button below to download the
complete manual.



After you pay.

You can download the most
perfect and complete manual in
the world immediately.

Our support email:

ebooklibonline@outlook.com