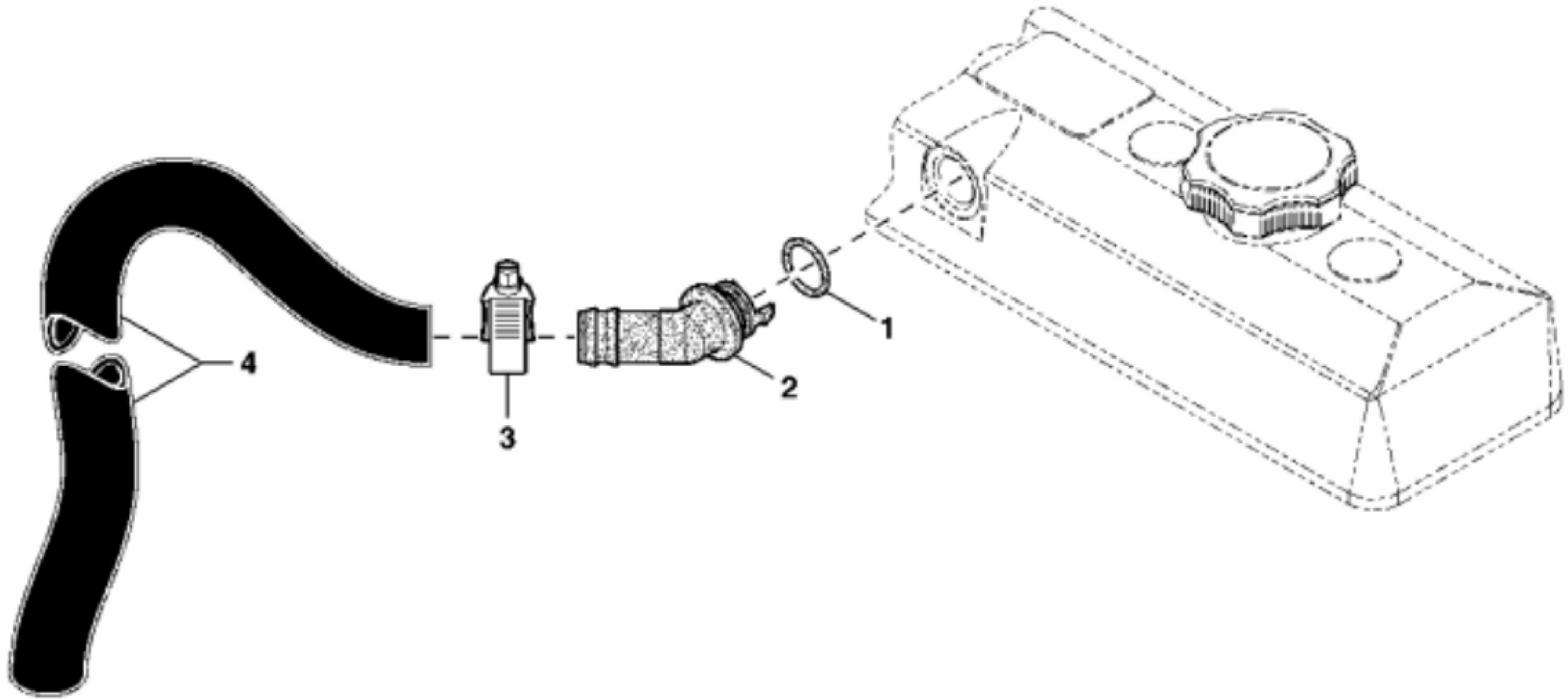


CDP46272B

John Deere > Agriculture > TRACTOR > SE6620 - TRACTOR > SE6320, SE6420, SE6520, SE6620 Tractors (Europe Edition) > 20 ENGINE, SE6320 (4045TL073), SE6420 (4045HL070), SE6520 (6068DL070/TL073), SE6620 (6068TL072) > ST176935 - VALVE COVER

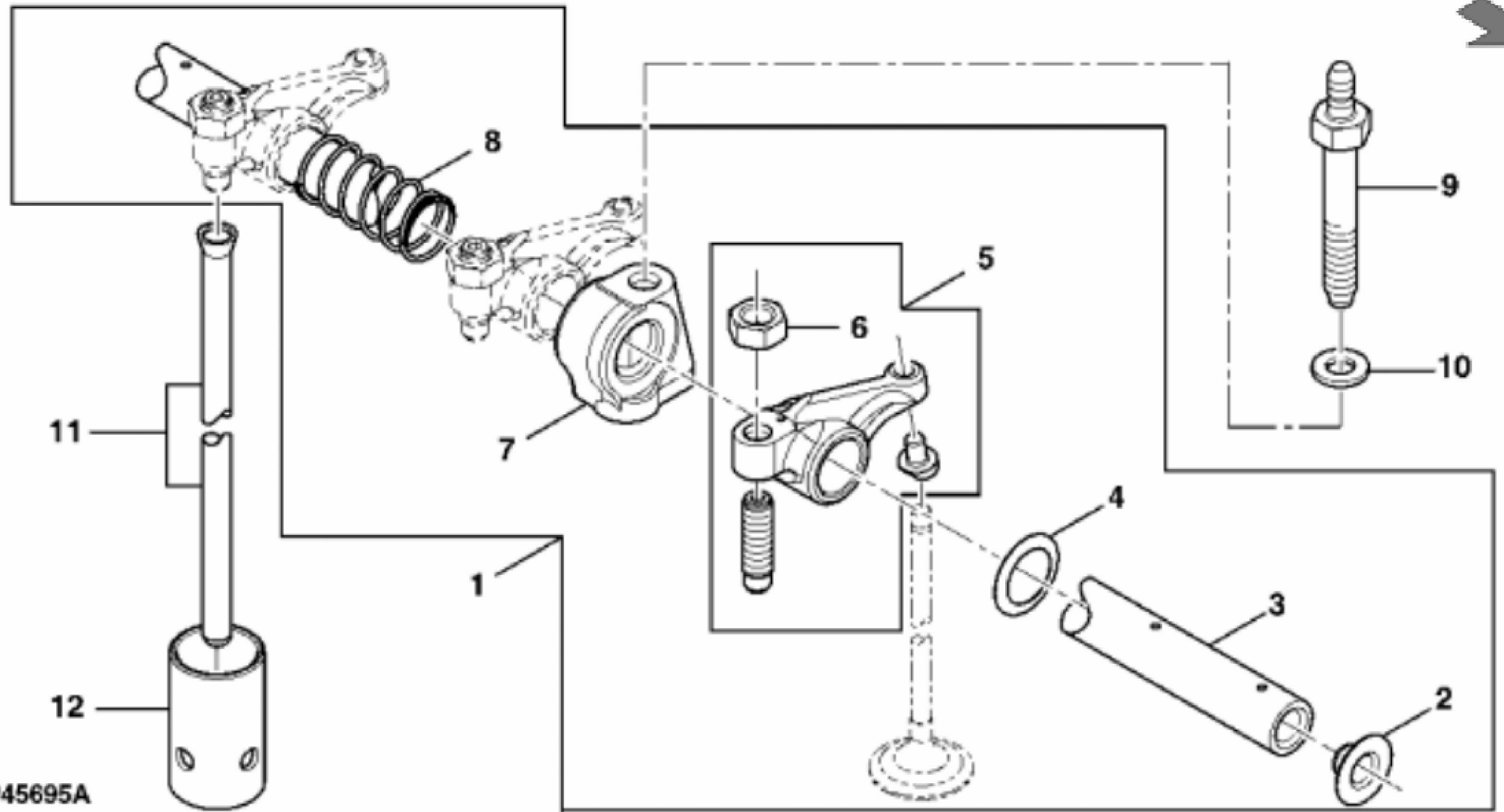
KEY	PART NO.	PART NAME	QTY	SE6320	SE6420	REMARKS
1	H23125	PLUG	4	X	X	
2	R123574	NUT	4	X	X	
3	R123575	O-RING	4	X	X	
4	.....	VALVE COVER	1	X	X	(MARKED R501311 OR R519779) (ORDER RE70401, RE59801 AND R123542)
5	R524480	GASKET	1	X	X	(SUB FOR R123542)
5	RE520539	GASKET KIT	AR	X	X	(SUITABLE FOR HIGH TEMPERATURE) (INCLUDES INSTRUCTIONS)
6	R521401	MEDALLION	1	X	X	(SUB FOR R116324)



CDP46382

John Deere > Agriculture > TRACTOR > SE6620 - TRACTOR > SE6320, SE6420, SE6520, SE6620 Tractors (Europe Edition) > 20 ENGINE, SE6320 (4045TL073), SE6420 (4045HL070), SE6520 (6068DL070/TL073), SE6620 (6068TL072) > ST176937 - BREATHER

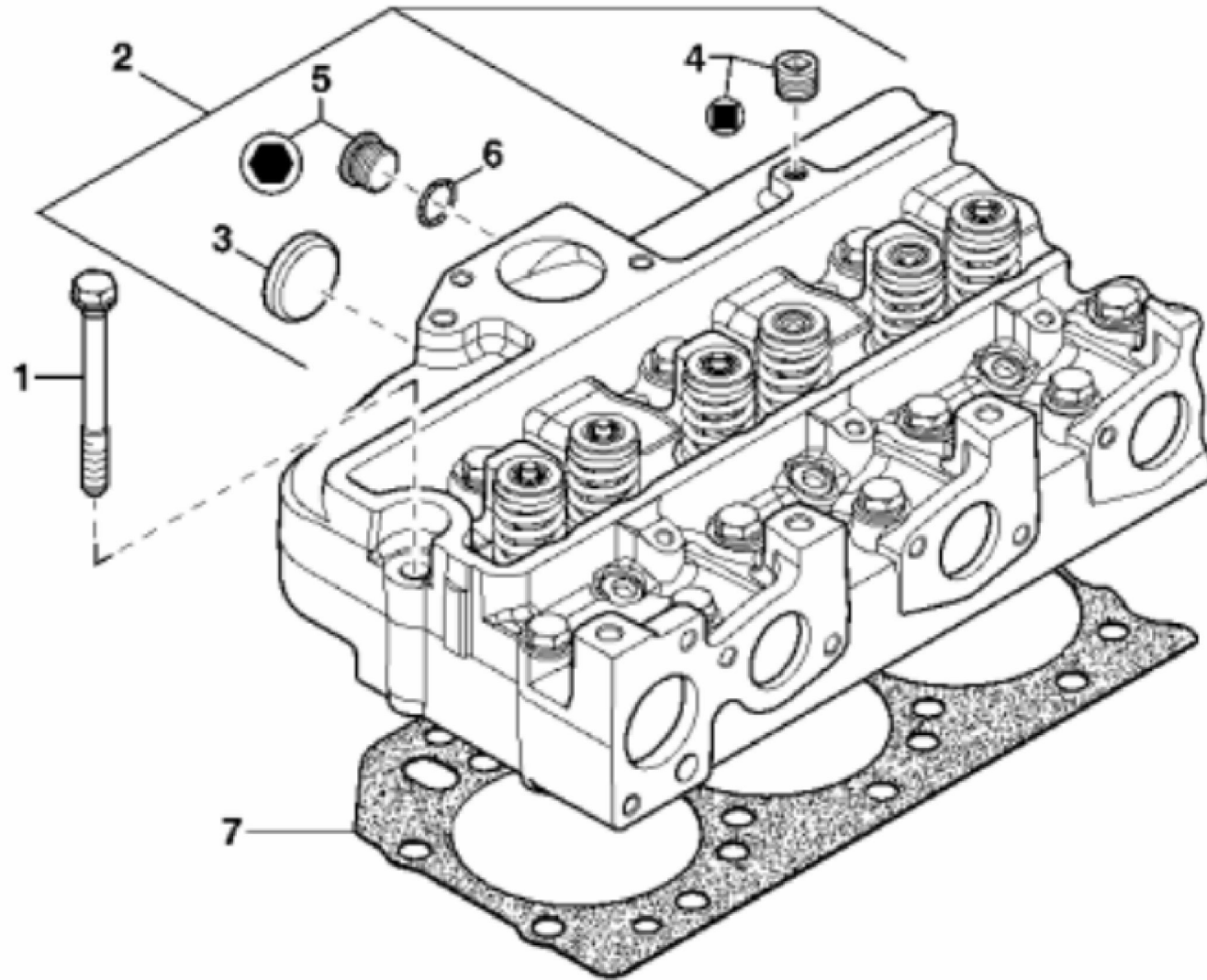
KEY	PART NO.	PART NAME	QTY	SE6320	SE6420	REMARKS	
1	R72328	O-RING	1	X	X	18.720 X 2.616 mm	
2	R123586	ELBOW FITTING	1	X	X	135°	
3	TY22466	CLAMP	1	X	X		
4	R122401	TUBE	1	X	X	(CUT TO LENGTH) LGTH = 1290 mm	



CDP45695A

John Deere > Agriculture > TRACTOR > SE6620 - TRACTOR > SE6320, SE6420, SE6520, SE6620 Tractors (Europe Edition) > 20 ENGINE, SE6320 (4045TL073), SE6420 (4045HL070), SE6520 (6068DL070/TL073), SE6620 (6068TL072) > ST176938 - ROCKER ARM / SHAFT / TAPPET / PUSH ROD

KEY	PART NO.	PART NAME	QTY	SE6320	SE6420	REMARKS
1	RE519736	ROCKER ARM SHAFT	1	X	X	
2	R54565	PLUG	2	X	X	
3	R123513	ROCKER ARM SHAFT	1	X	X	
4	T20316	WASHER	2	X	X	20.650 X 29.460 X 0.500 mm
5	RE508317	ROCKER ARM	8	X	X	(SUB FOR RE68695)
6	14M7148	NUT	1	X	X	M10
7	R123161	SUPPORT	4	X	X	
8	T20314	SPRING	3	X	X	
9	R123271	STUD	4	X	X	
10	24M7346	WASHER	4	X	X	11 X 20 X 2 mm
11	R107731	PUSH ROD	8	X	X	LGTH = 265 mm, (10.43")
12	R123565	CAM FOLLOWER	8	X	X	



CDP46151A

Thank you so much for reading.  
Please click the “Buy Now!”  
button below to download the  
complete manual.



After you pay.

You can download the most  
perfect and complete manual in  
the world immediately.

Our support email:

[ebooklibonline@outlook.com](mailto:ebooklibonline@outlook.com)