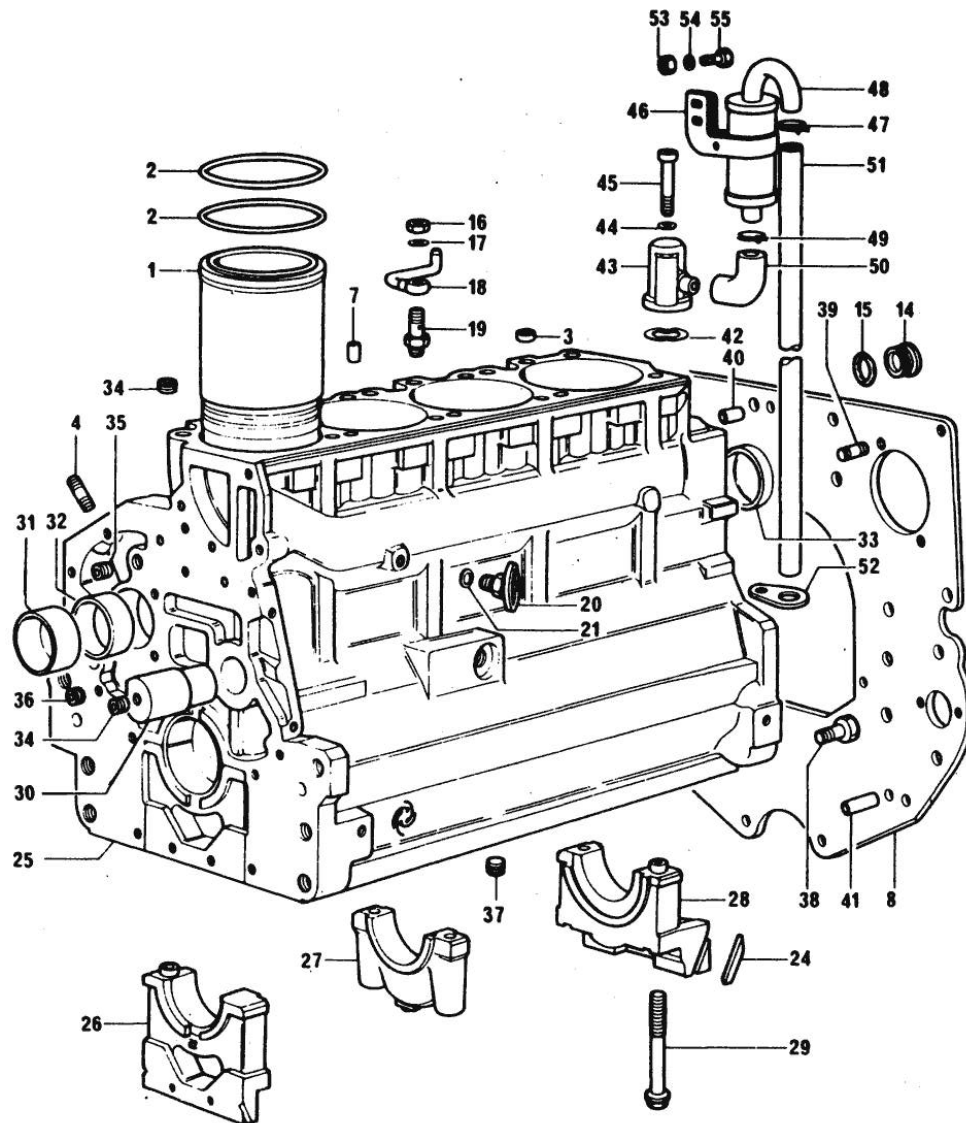


Section: ENGINE
CRANKCASE

296-1 *

Fig.	P/n	QTY	Name
Notes: [H 478]			
0	0.066.0050.6	1	gasket set FOR INSTALLATION OF 916.4 W ENGINE
0	0.089.0050.6	1	gasket set FOR INSTALLATION OF 1000.4 W ENGINE
1	0.066.1120.0/10	4	engine cylinder X 916.4 W
1	0.088.1120.0/10	4	engine cylinder X 1000.4 W
2	2.1519.096.0/10	8	oil seal 107.67x1.78
3	2.1559.188.0/10	4	bush
4	2.0432.003.7	12	stud bolt m 8 p.1.25 / p.1 x 20
7	2.1631.205.0	4	roll pin
8	0.066.1130.0/20	1	flange
14	2.3199.405.2	1	plug m 28 p.1.5
15	2.1539.047.0	1	special oil seal 26.7x1.78
16	2.1099.108.2	4	special nut m 10 p.1
17	2.1560.006.0	8	gasket 10.2 x 16
18	0.086.1550.2	4	sprayer nozzle
19	0.065.1160.3/20	4	valve
20	0.049.1152.0	1	cock
21	2.1560.009.0	1	gasket 14.2x18
24	0.066.1152.0/10	4	gasket
25	9.06699.43.4	1	crankcase X 916.4 W
25	9.08299.42.2	1	crankcase - X 916.4 W X 1000.4 W
26	0.065.1112.3	1	support
26	2.1699.165.0	1	bush 12.3x15x16
27	0.065.1114.7/10	3	support
28	0.065.1116.3	1	support
28	2.1699.165.0	1	bush 12.3x15x16
29	0.065.1117.0	10	screw m 12 x 100
30	0.066.1151.0	1	pin
31	0.065.1141.0	1	special bushing 59X55X30
32	0.065.1140.0	4	special bushing 59X55X20
33	2.3179.012.0	1	plug 60
34	2.3130.001.1	11	plug 1/8" gas
35	2.3130.002.1	2	plug 1/4" gas
36	2.3130.003.1	2	plug 3/8" gas
37	2.1324.011.0	1	plug X 1000.4 W

Section: ENGINE
CRANKCASE

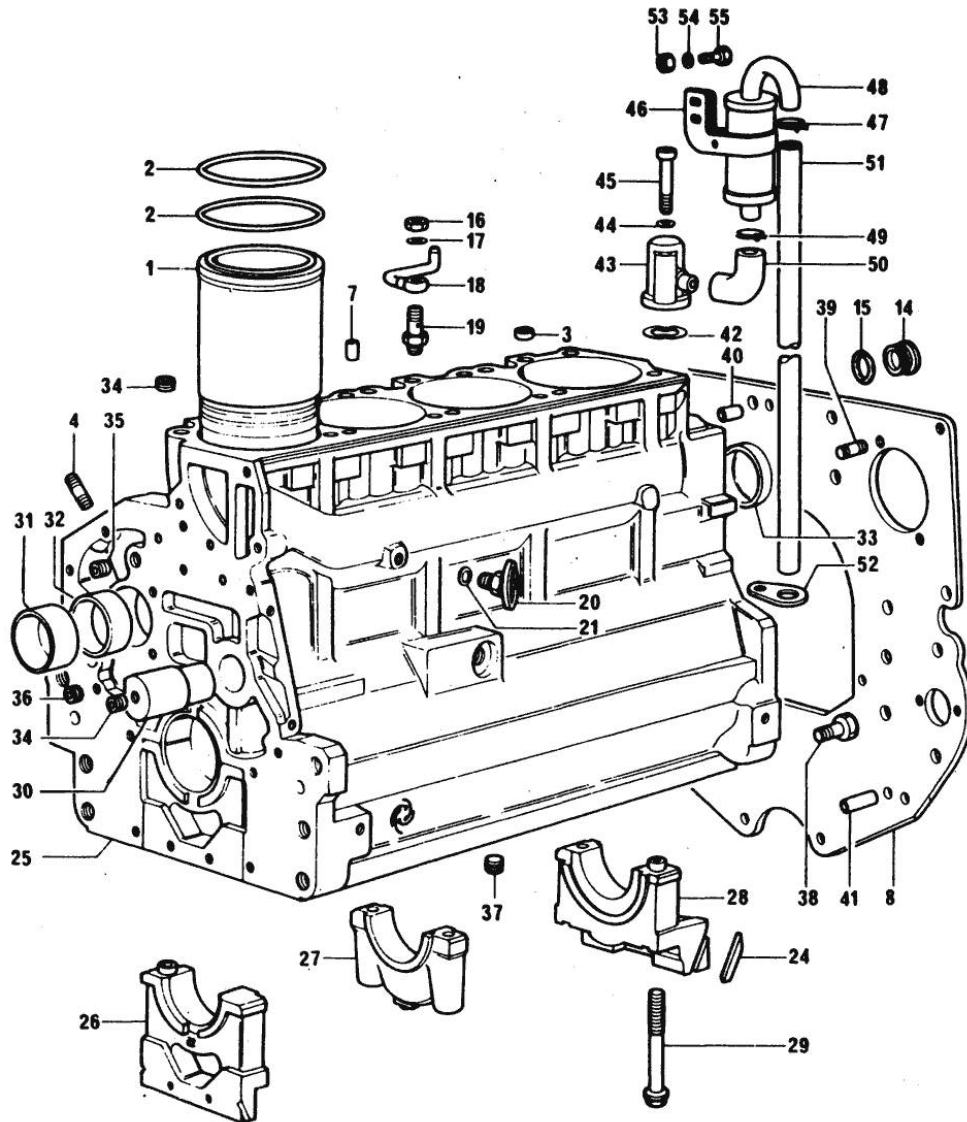


Fig.	P/n	QTY	Name
38	2.0112.511.2	8	screw m 14 p.2 x 30
39	2.0432.255.2	2	stud bolt m 12 p.1.75-1.25x25
40	2.1651.912.0	2	cylindrical plug 12x28
41	2.1651.917.0	1	cylindrical plug 12x40
42	0.065.1156.0	2	gasket (...)<=
43	0.065.1143.3/10	1	body (...)<=
44	2.1470.004.2	2	lock washer 8
45	2.0312.219.2	2	screw m 8 p.1.25x65
46	2.6859.074.2/10	1	clamp (...)<=
47	2.6859.072.2	1	clamp
48	0.065.1165.2	1	sediment bowl (...)<=
49	2.6859.073.2	2	clamp
50	0.065.1166.0	1	sleeve (...)<=
51	0.065.1155.0/10	1	tube (...)<=
52	0.065.1157.0	1	bracket
53	2.1011.103.2	1	nut m 6 p.1
54	2.1470.002.2	1	lock washer 6
55	2.0112.004.2	1	screw m 6 p.1 x 14

296-1 *

Section: ENGINE

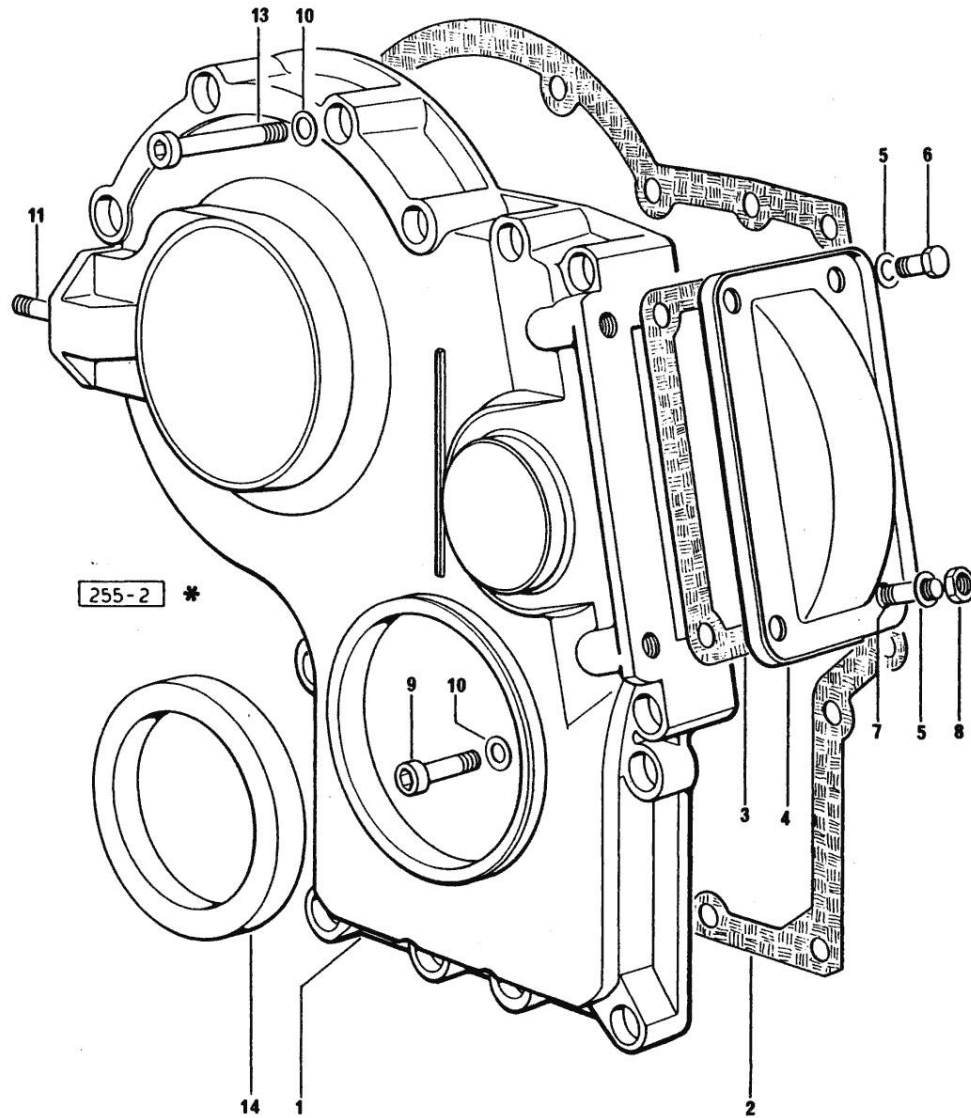
TIMING CASENotes:
[H 478]

Fig.	P/n	QTY	Name
1	0.065.1132.0/20	1	guard
2	0.065.1150.0/10	1	gasket
3	0.065.1152.0	1	gasket
4	0.065.1151.0	1	cover
5	2.1470.004.2	4	lock washer 8
6	2.0112.205.2	2	screw m 8 p.1.25 x 16
7	2.0432.001.1	2	stud bolt m 14 p.2-1.5x35
8	2.1011.405.2	2	nut m 8 p.1
9	2.0312.208.1	8	screw m 8 p.1.25 x 25
10	2.1480.014.1	15	washer 8
11	2.0432.003.7	2	stud bolt m 8 p.1.25 / p.1 x 20
13	2.0312.214.2	7	screw m 8 p.1.25 x 40
14	2.1529.072.0	1	oil seal

Section: ENGINE

CRANKSHAFT

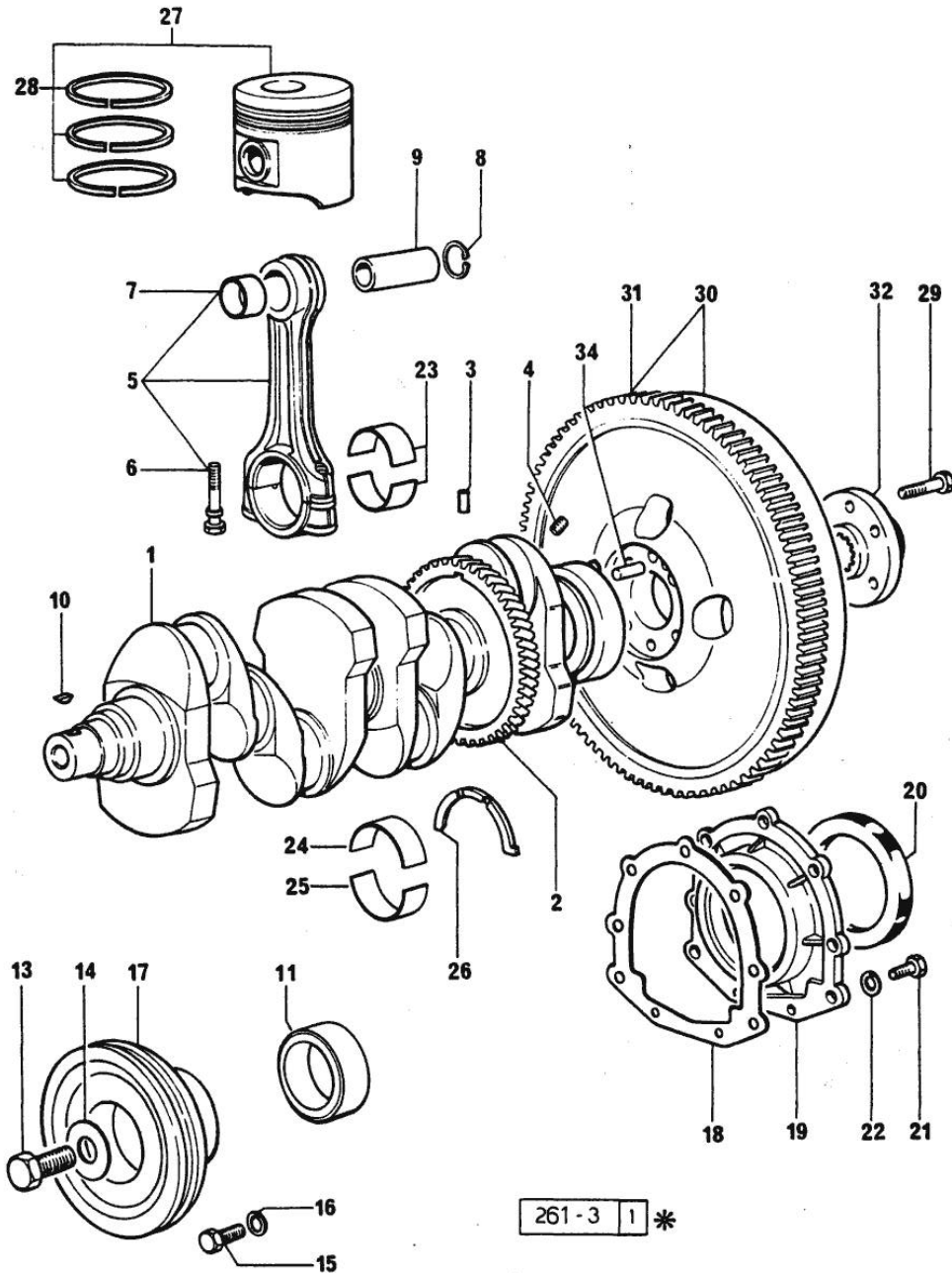


Fig.	P/n	QTY	Name
Notes:			
[H 478]			
1	0.066.1210.3/20	1	crankshaft X 916.4 W
1	0.086.1210.3/10	1	crankshaft X 1000.4 W
2	0.065.1211.0/10	1	crown wheel
3	2.1630.608.0	1	pin 6x16
4	2.3130.001.1	11	plug 1/8" gas
5	0.065.1220.3/10	4	engine connecting rod X 916.4 W
5	0.078.1220.3/10	4	engine connecting rod - X 1000.4 W X 1000.4 W
6	2.0139.021.0	8	screw
7	0.065.1227.0	4	special bushing X 916.4 W
7	2.1559.114.0/10	4	special bushing X 1000.4 W
8	2.1411.013.1	8	circlip 32 X 916.4 W
8	2.1411.014.1	8	circlip 35 X 1000.4 W
9	0.065.1236.0	4	piston pin X 916.4 W
9	0.078.1236.0	4	piston pin Ø 18 / Ø 35 / L = mm 86 X 1000.4 W
10	2.1720.006.0	2	key 4x6.5
11	0.065.1248.0/10	1	hub (...)<=
11	0.085.1248.0	1	hub =>(…)
13	2.0399.095.2	1	old part number
14	2.1599.503.2	1	shoulder ring
15	2.0112.317.2	6	screw m 10 p.1.5 x 45
15	2.0112.320.2	6	screw m 10 p.1.5 x 55
15	2.0112.322.2	6	screw m 10 p.1.5x65
16	2.1470.006.2	6	lock washer 10
17	0.066.1244.0	1	pulley 1017<=
17	0.075.1252.0	1	pulley 70x188x77,7 (...)<=
17	0.082.1244.0	1	FOR TYPES WITH AIR CONDITIONING pulley

Section: ENGINE

CRANKSHAFT

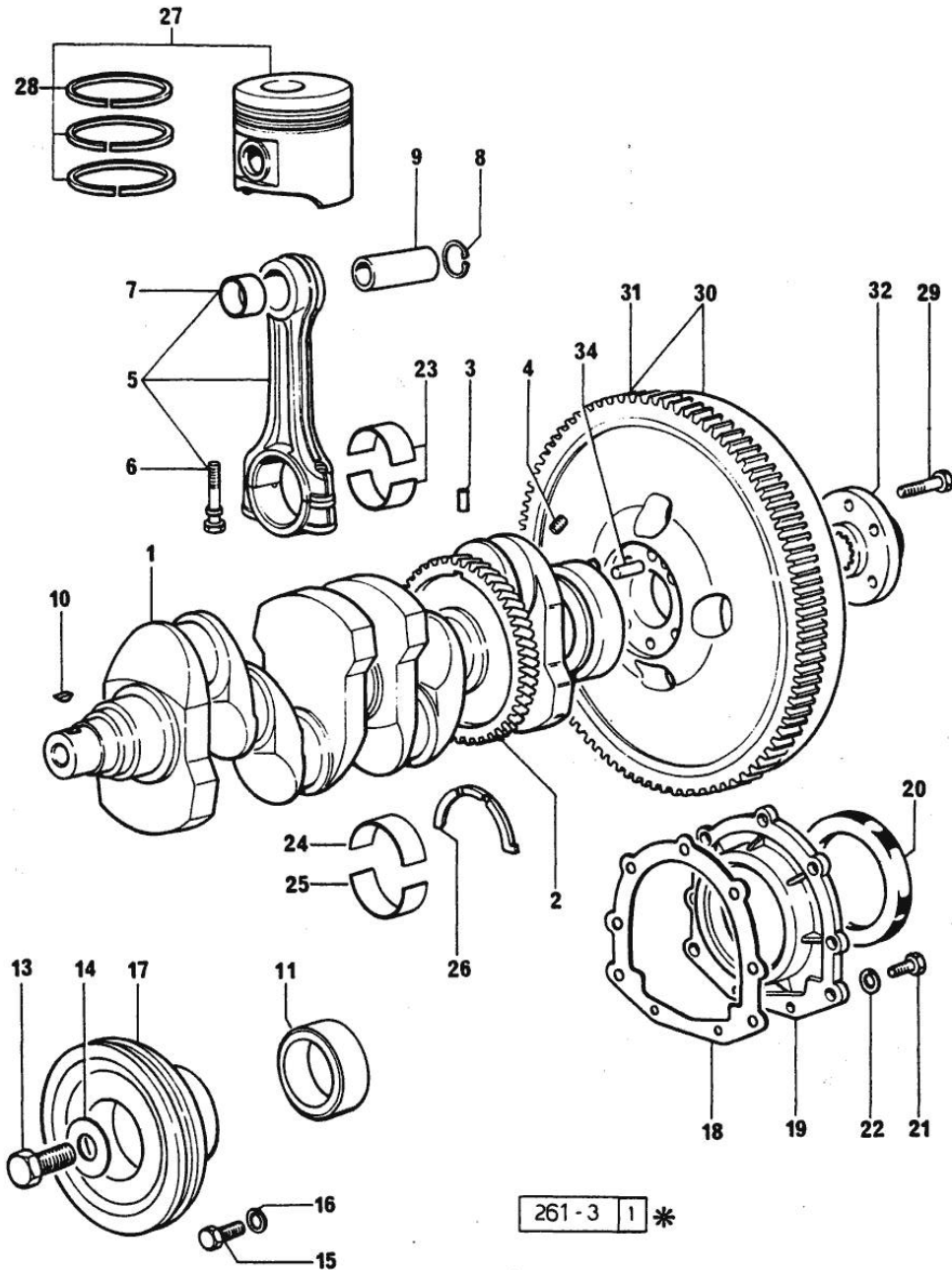


Fig.	P/n	QTY	Name
			=>1018 - (...)<=
17	0.089.1244.0	1	pulley
			=>(…)
17	0.089.1250.0	1	pulley
			=>(…)
			FOR TYPES WITH AIR CONDITIONING
18	0.065.1254.0	1	gasket
19	0.065.1253.0/10	1	cover
20	2.1529.073.0	1	special oil seal 110x130x13
21	2.0112.207.2	9	screw m 8 p 1.25 x 20
22	2.1474.009.2	9	spring washer 8
23	0.065.1225.0	8	con.rod half bushing STANDARD - A = 28.75 -> 29.00
23	0.065.1225.7	8	con.rod half bushing - mm 0.25
23	0.065.1225.8	8	con.rod half bushing - mm 0.50
24	0.065.1215.0	5	main half bushing STANDARD
24	0.065.1215.7	5	main half bushing - mm 0.25
24	0.065.1215.8	5	main half bushing - mm 0.50
25	0.065.1216.0	5	main half bushing
25	0.065.1216.7	5	main half bushing - mm 0.25
25	0.065.1216.8	5	main half bushing - mm 0.50
26	0.065.1218.0	4	shim STANDARD
26	0.065.1218.7	4	shim + mm 0.10
26	0.065.1218.8	4	shim + mm 0.15
27	0.066.0060.6	4	complete piston
			X 916.4 W
27	0.085.0060.6	4	complete piston
			X 1000.4 W
28	0.065.0052.6	4	piston ring set
			X 916.4 W
28	0.085.0052.6	4	piston ring set
			X 1000.4 W
29	2.0139.022.2	6	screw m 12 p.1.25x55
30	0.076.1247.3/10	1	flywheel
31	0.065.1242.0	1	crown wheel Z = 123
32	0.255.2525.0/10	1	flange
34	2.1652.915.0	1	cylindrical plug 12x35

Section: ENGINE
COUNTERWEIGHTS

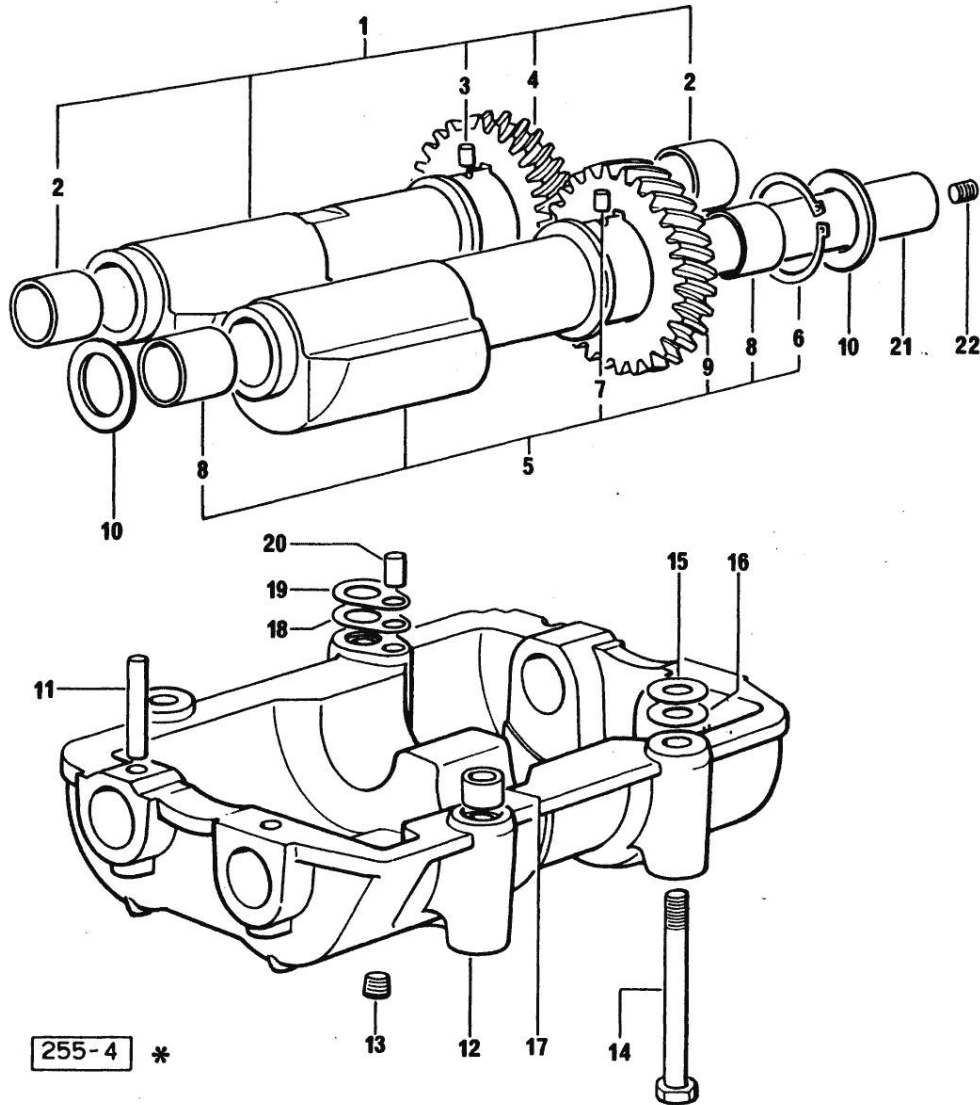


Fig.	P/n	QTY	Name
Notes:			
[H 478]			
1	0.065.1232.3/20	1	old part number X 916.4 W
1	0.086.1233.3/10	1	mass X 1000.4 W
2	2.1559.115.0	2	special bushing 26x30x30
3	2.1652.302.0	1	roll pin 4x6
4	0.065.1237.0/10	1	gear
5	0.065.1233.3/10	1	mass
6	2.1410.018.1	1	circlip 45
7	2.1652.302.0	1	roll pin 4x6
8	2.1559.115.0	2	special bushing 26x30x30
9	0.065.1238.0	1	gear
10	2.1589.050.0/10	4	shoulder ring 26.1x38x1 X 916.4 W
10	2.1589.185.0	4	shoulder ring 26.1x34x1 X 1000.4 W
11	2.1631.717.0	2	roll pin 8 x 40
12	0.065.1231.3/20	4	old part number X 916.4 W
12	0.086.1231.3	1	old part number X 1000.4 W
13	2.3130.001.1	4	plug 1/8" gas
14	2.0112.427.1	4	screw m 12 p.1.75 x 90
15	2.1589.048.0	2	shoulder ring 16.5x26x0.3
15	2.1589.049.0	2	shoulder ring 12.5x26x0.3
16	2.1579.628.0	2	spacer 16.5x26x0.1
16	2.1579.629.0	2	spacer 12.5x26x0.1
17	2.1579.626.0	2	spacer 13.2x16x11
18	2.1589.139.0	2	shoulder ring mm 0.3
19	2.1589.140.0	2	shoulder ring mm 0.1
20	2.1699.191.0	1	bush 7x10x16
21	0.065.1234.3	2	old part number
22	2.3130.001.1	2	plug 1/8" gas

Section: ENGINE

CAMSHAFT

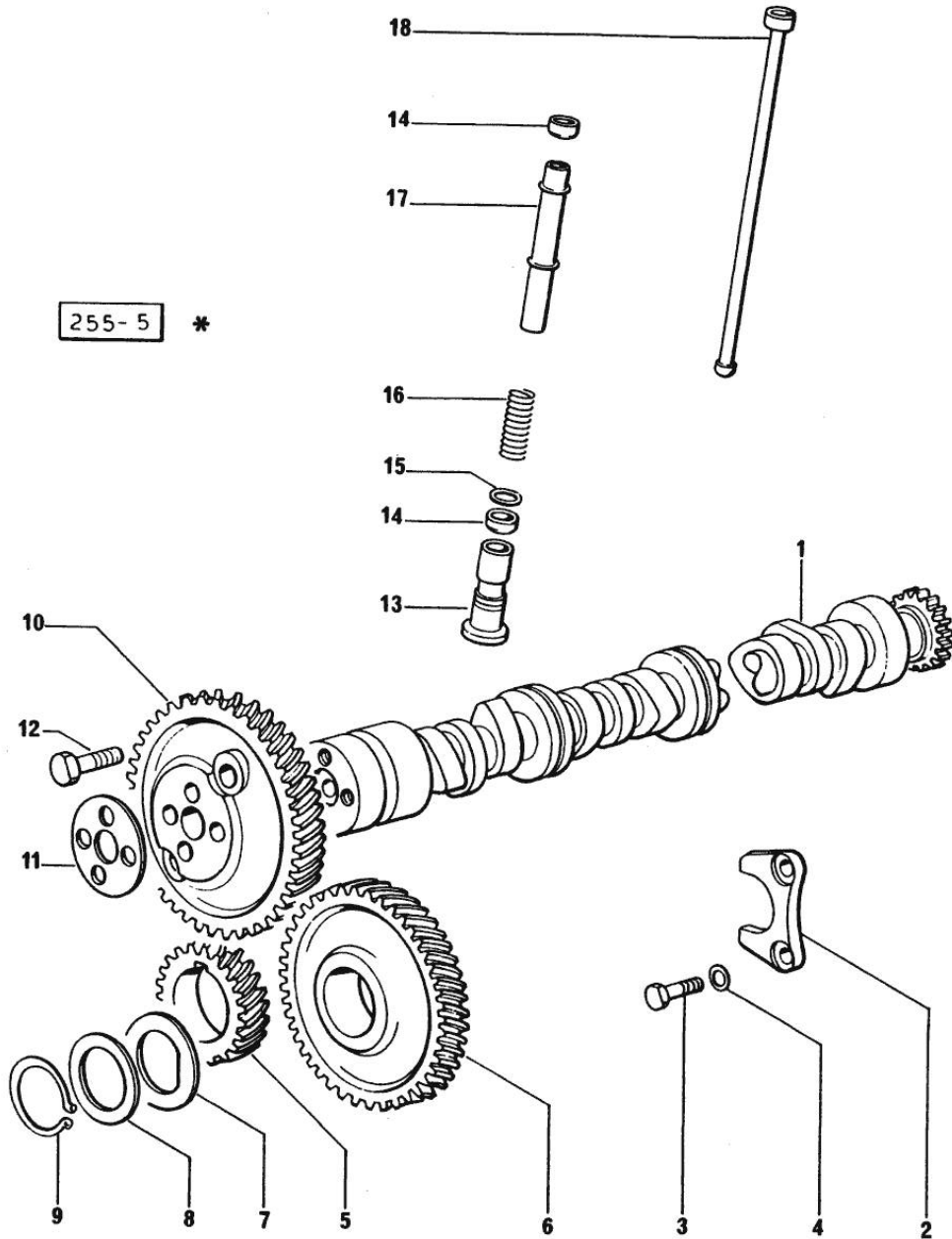


Fig.	P/n	QTY	Name
------	-----	-----	------

Notes:
[H 478]

1	0.065.1324.0	1	gear
1	0.066.1310.3/30	1	camshaft
2	0.065.1353.0	1	small plate
3	2.0312.205.2	2	screw
4	2.1480.014.1	2	washer 8
5	065.1323.0/20	1	-
6	065.1325.3/20	1	-
6	2.1559.185.0	1	special bushing
7	0.065.1351.0	2	shoulder ring
8	0.065.1352.0	1	shim
9	2.1410.016.1	1	circlip 40
10	0.065.1354.0/10	1	gear z=58
11	0.065.1350.0	1	small disc
12	2.0132.207.2	4	screw m 10 p.1 x 25
13	0.065.1330.0	8	tappets
14	2.1569.114.0	16	gasket
15	2.1599.437.0	8	shoulder ring
16	2.4019.300.1	8	spring
17	0.065.1332.0	8	sleeve
18	0.065.1331.2	8	rod

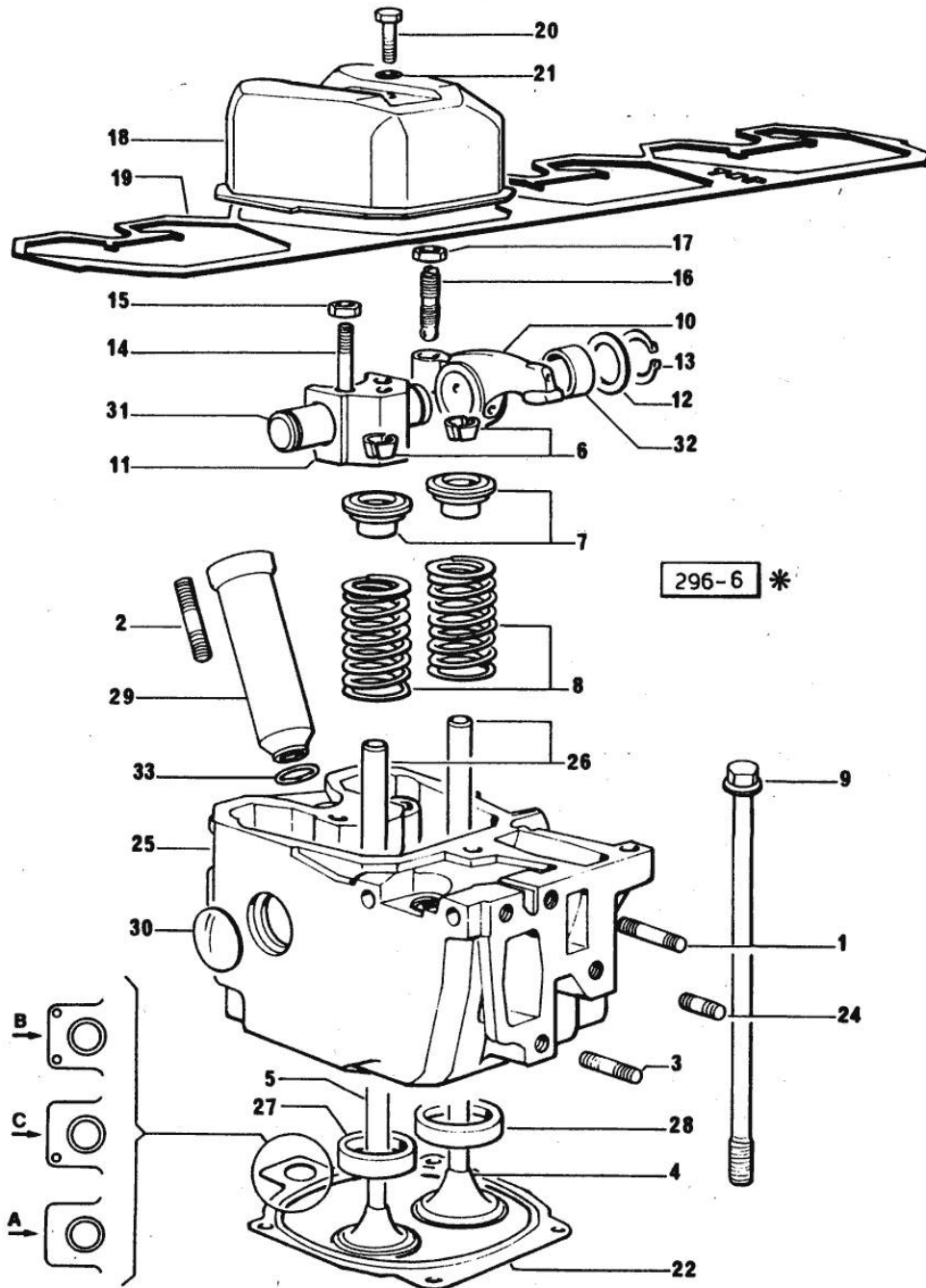
Section: ENGINE
 CYLINDER HEAD


Fig.	P/n	QTY	Name
Notes:			
[H 478]			
1	2.0432.011.7	4	stud bolt m 8 p.1.25 / p.1 x 40
2	2.0432.161.7	4	stud bolt m 10 p.1.5 / p.1.25 x 40
3	2.0432.007.7	8	stud bolt m 8 p.1.25 / p.1 x 30
4	0.066.1420.0	4	inlet valve Ø mm 9 X 916.4 W
4	0.078.1420.0	4	inlet valve X 1000.4 W
5	0.066.1421.0	4	exhaust valve
6	0.074.1423.0	8	conical valve cotter
7	0.066.1425.0	8	cup
8	2.4019.287.0	8	spring
9	0.066.1443.0/10	16	screw
10	0.066.1432.0	8	rocker arm
11	0.066.1430.0	4	support
12	2.1599.432.0	8	shoulder ring
13	2.1410.055.1	8	circlip 19
14	2.0432.163.7	8	stud bolt m 10 p.1.5 / p.1.25 x 45
15	2.1011.421.2	8	nut m 10 p.1.25
16	0.021.1434.0	8	screw
17	2.1011.405.2	8	nut m 8 p.1
18	0.066.1440.0/10	4	small cap
19	0.065.1450.0/10	4	gasket
20	2.0112.211.2	4	screw m 8 p.1.25 x 30
21	2.1560.204.0	4	gasket
22	0.078.1451.0/30	4	gasket "A" (...) <= ORDER ALSO: 1x 2.1559.188.0
22	0.078.1452.0/20	4	gasket "B" (...) <= ORDER ALSO: 1x 2.1559.188.0
22	0.078.1453.0/30	4	gasket "C" (...) <= ORDER ALSO: 1x 2.1559.188.0
24	2.0432.005.7	4	stud bolt m 8 p.1.5 / p.1 x 25
25	0.066.1410.3/30	4	old part number X 916.4 W
25	0.078.1410.3/30	4	old part number X 1000.4 W
26	0.066.1416.0	8	valve guide
27	0.066.1427.0	4	valve seat
28	0.066.1426.0	4	valve seat X 916.4 W
28	0.078.1426.0	4	valve seat X 1000.4 W

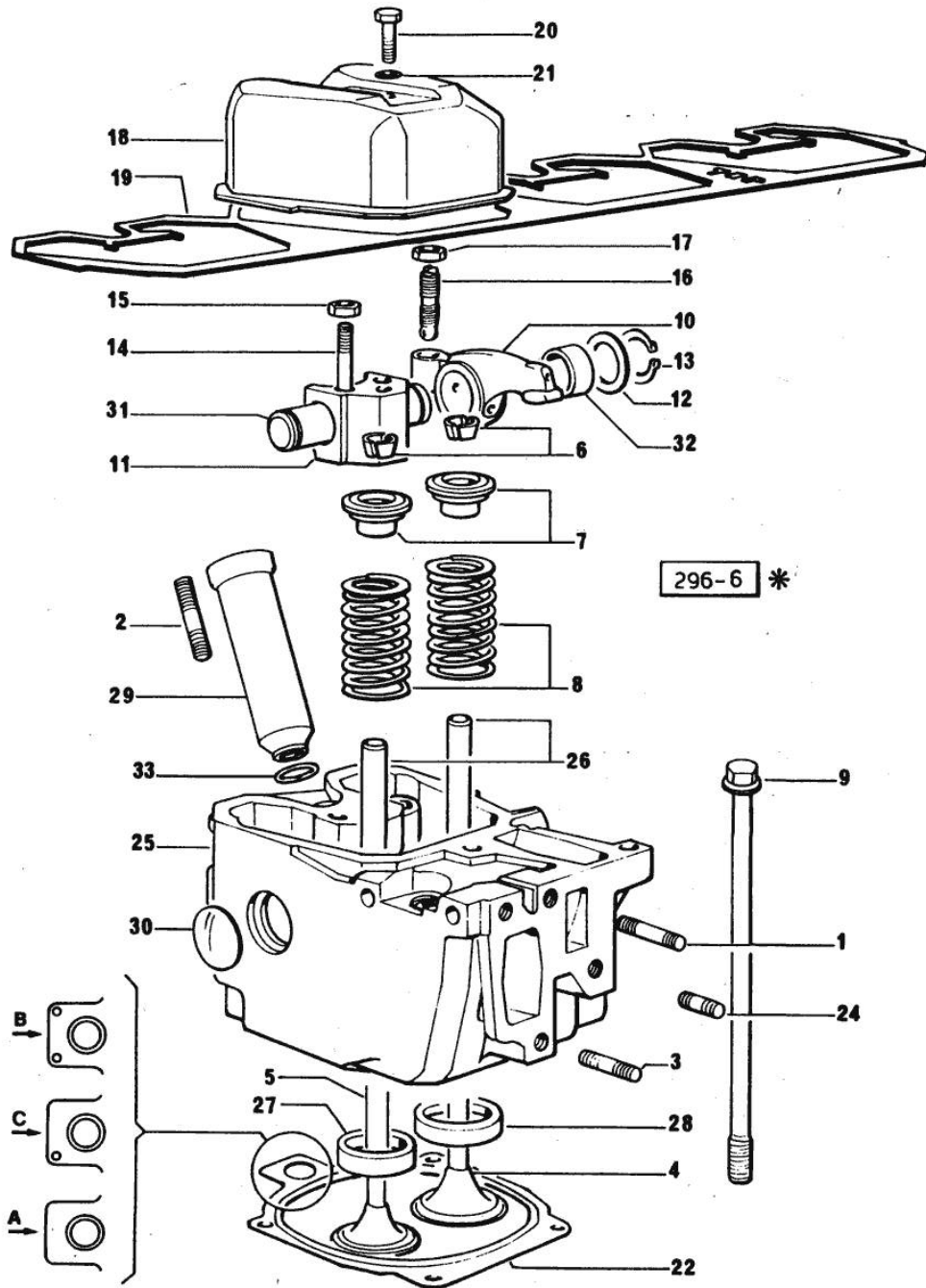
Section: ENGINE
CYLINDER HEAD


Fig.	P/n	QTY	Name
29	0.066.1413.0	4	bush
30	2.3170.012.1	8	expansion plug 30
31	0.066.1431.0	4	pin
32	2.1559.021.0/40	8	bushing 15x19x22
33	2.1530.056.0	4	oil seal 21.82 x 3.53

Section: ENGINE
LUBRICATION

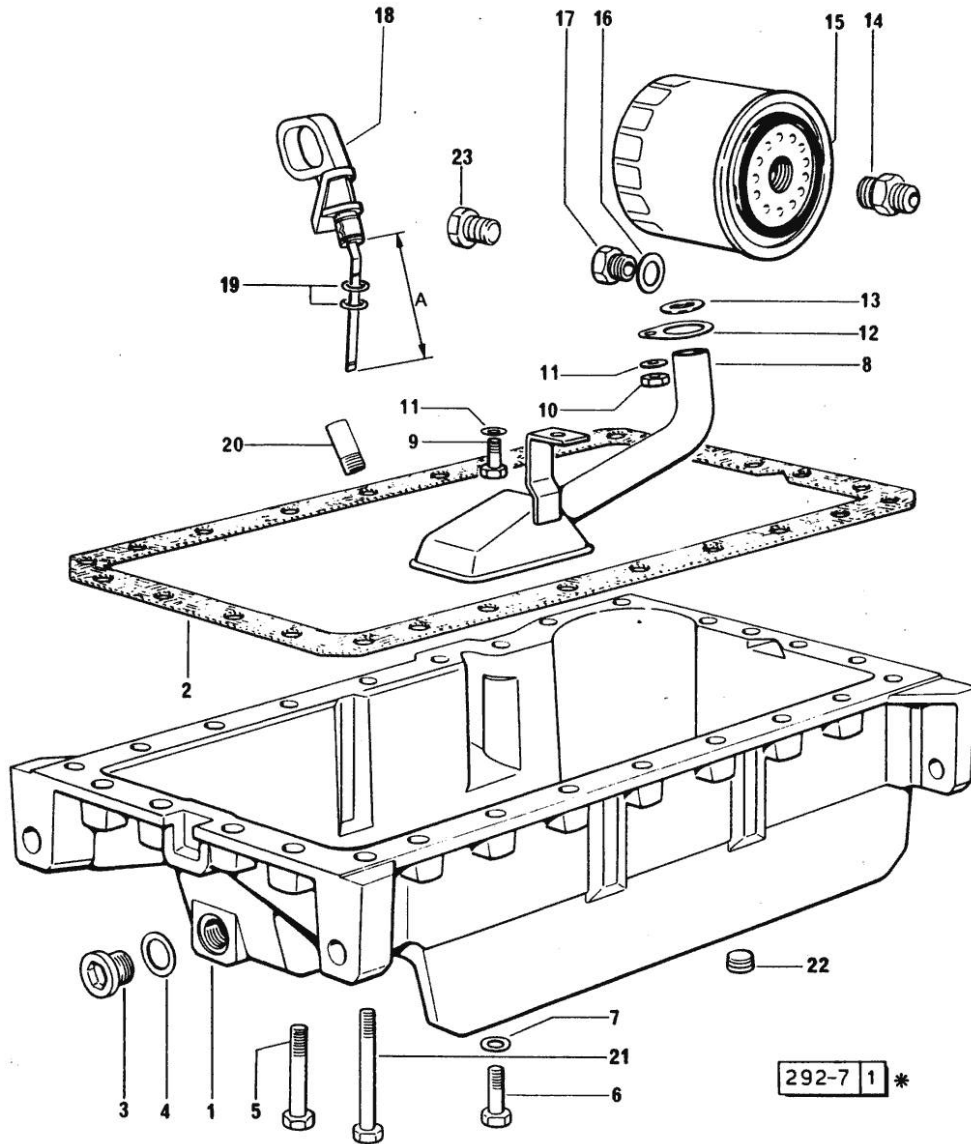


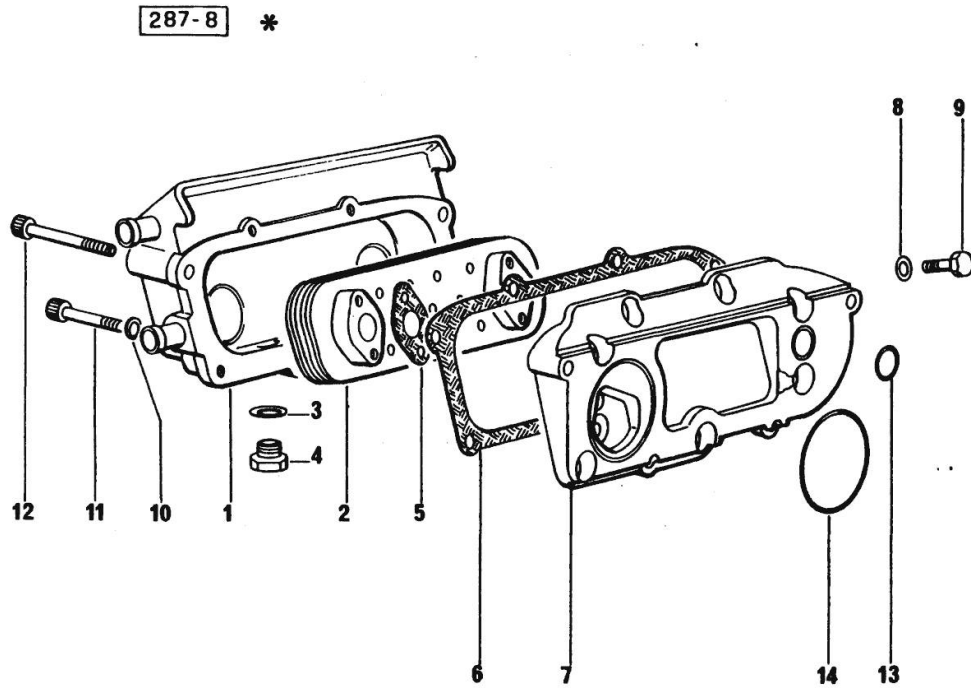
Fig.	P/n	QTY	Name
Notes:			
[H 478]			
1	0.065.1510.0/20	1	oil sump
2	0.065.1550.0	1	gasket
3	2.3199.001.2	1	plug 1/2" gas
4	2.1560.054.0	1	gasket 21 x 26
5	2.0112.227.2	9	screw m 8 p.1.25 x 90
6	2.0112.215.2	17	screw m 8 p.1.25 x 40
7	2.1470.004.2	26	lock washer 8
8	0.065.1531.3	1	tube
9	2.0112.205.2	1	screw m 8 p.1.25 x 16
10	2.1011.105.2	1	nut m 8 p.1.25
11	2.1470.004.2	2	lock washer 8
12	0.065.1538.0	1	flange
13	2.1539.040.0	1	special oil seal 21.82 x 3.53
14	2.3339.307.1/20	1	pipe fitting
15	2.4419.310.0	1	oil filter element
16	2.1560.014.0	1	washer 18.2 x 24
17	2.3339.353.2	1	pipe fitting
17	2.3339.353.2/10	1	pipe fitting 12 p.1.5-18 p.1.5 ->10080
18	0.066.1513.2/10	1	dipstick mm 106 - WITH SPACER
18	0.086.1513.2	1	dipstick WITHOUT SPACER
19	2.1539.065.0	2	special oil seal 8.73 x 1.78
20	0.066.1551.0	1	spacer
21	2.0112.235.1	3	screw m 8 p.1.25 x 130
22	2.3130.003.1	1	plug 3/8" gas
22			X 1000.4 W
23	2.3110.302.1	1	plug m 12 p.1.75 x 10

LUBRICATION - X 1000.4 W

Fig.	P/n	QTY	Name
------	-----	-----	------

Notes:
[H 478]

1	0.078.1554.3	1	box
2	0.078.1540.3	1	radiator
3	2.1560.014.0	1	washer 18.2 x 24
4	2.3120.101.0	1	plug m 18 p.1.5
5	0.078.1557.0	2	gasket
6	0.078.1556.0	1	gasket
7	0.078.1555.0/10	1	plate
8	2.1310.004.2	8	flat washer 8.4x17
9	2.0112.205.2	8	screw m 8 p.1.25 x 16
10	2.1480.014.1	4	washer 8
11	2.0312.217.1	2	screw m 8 p.1.25x55
12	2.0312.220.1	2	screw m 8 p.1.25x70
13	2.1539.048.0	1	special oil seal 20.35x1.78
14	2.1539.050.0	1	special oil seal 69.57x1.78



Thank you so much for reading.
Please click the “Buy Now!”
button below to download the
complete manual.



After you pay.

You can download the most
perfect and complete manual in
the world immediately.

Our support email:

ebooklibonline@outlook.com