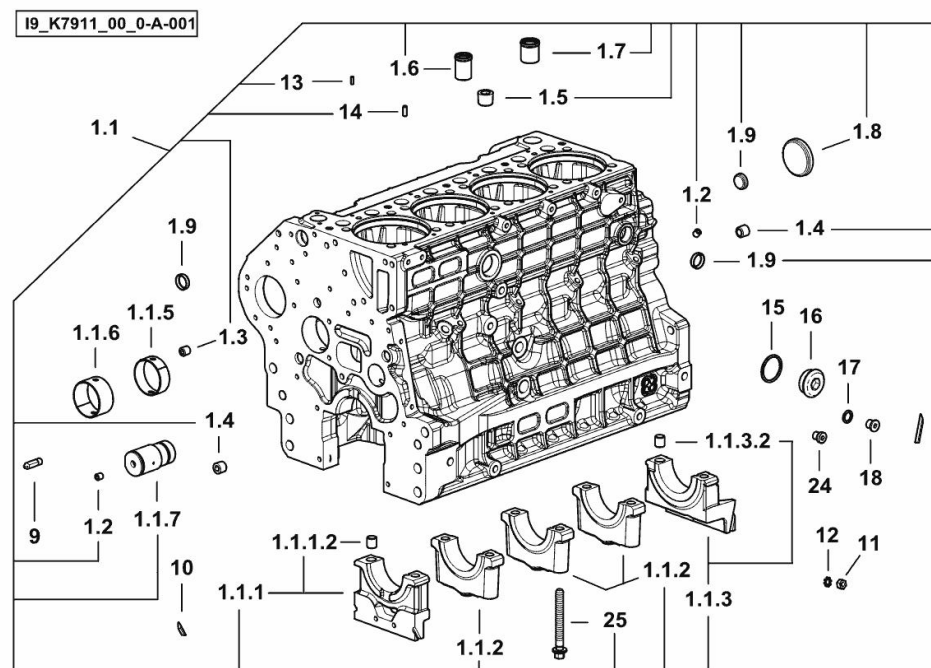


**CRANKCASE**

Fig.	P/n	QTY	Name
------	-----	-----	------

**Notes:**

[5090.4 D ECOLINE 2WD -&gt; 30001] [5090.4 D ECOLINE 4WD -&gt; 30001]



1.1	0.020.4332.3/20	1	crankcase
1.1.1	0.019.5106.3	1	support
1.1.1.2	2.1699.165.0	1	bush 12.3x15x16
1.1.2	0.019.5107.7	3	support
1.1.3	0.019.5108.3	1	support
1.1.3.2	2.1699.165.0	1	bush 12.3x15x16
1.1.5	0.065.1140.0	4	special bushing 59X55X20
1.1.6	0.065.1141.0	1	special bushing 59X55X30
1.1.7	0.019.4412.0	1	pin
1.2	2.3130.001.7	15	plug
1.3	2.3130.002.7	2	plug 1/4" gas
1.4	2.3130.003.7	4	plug 3/8" gas
1.5	2.3130.005.7	3	plug
1.6	0.019.4146.0	1	tube
1.7	0.019.6173.0	1	tube
1.8	2.3179.012.0	1	plug 60
1.9	2.3171.010.4	5	plug 25
9	0.019.4415.0/10	1	tube
10	0.066.1152.0/10	4	gasket
11	2.1011.405.2	2	nut m 8 p.1
12	2.1470.004.2	4	lock washer 8
13	2.1651.305.0	4	pin 4 x 12
14	2.1651.507.0	4	pin 6 x 16
15	2.1560.027.0	1	copper gasket 38.3x44
16	2.3139.031.2	1	plug
17	2.1560.010.0	1	gasket 14.2 x 20
18	2.3199.292.0	1	plug 1/4" gas
24	2.3139.024.2	1	plug m 12 p.1.5 (-> 30001 )
25	2.0399.367.7	10	screw

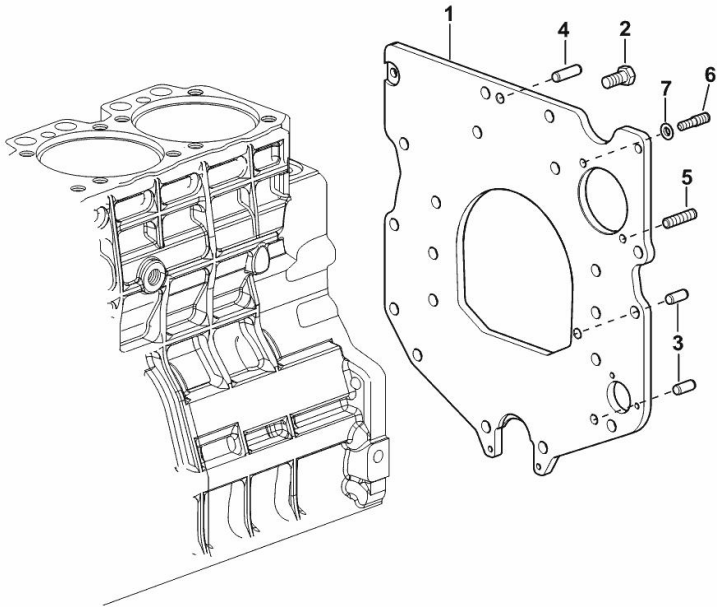
**MONOBLOC ENGINE-GEARBOX CONNECTING FLANGE**

Fig.	P/n	QTY	Name
------	-----	-----	------

**Notes:**

[5090.4 D ECOLINE 2WD -&gt; 30001] [5090.4 D ECOLINE 4WD -&gt; 30001]

1	0.007.7752.0/30	1	flange
2	2.0112.511.2	8	screw m 14 p.2 x 30
3	2.1651.912.0	2	cylindrical plug 12x28
4	2.1651.917.0	1	cylindrical plug 12x40
5	2.0432.257.7	1	stud bolt m 12 p.1.75 - 1.25 x 30
6	2.0439.250.7	1	stud bolt m 12 / m 10 x 30
7	0.011.9294.0/10	1	bush



19\_N8911\_01\_0-A-001

**FITTING FOR ENGINE OIL PRESSURE SWITCH**

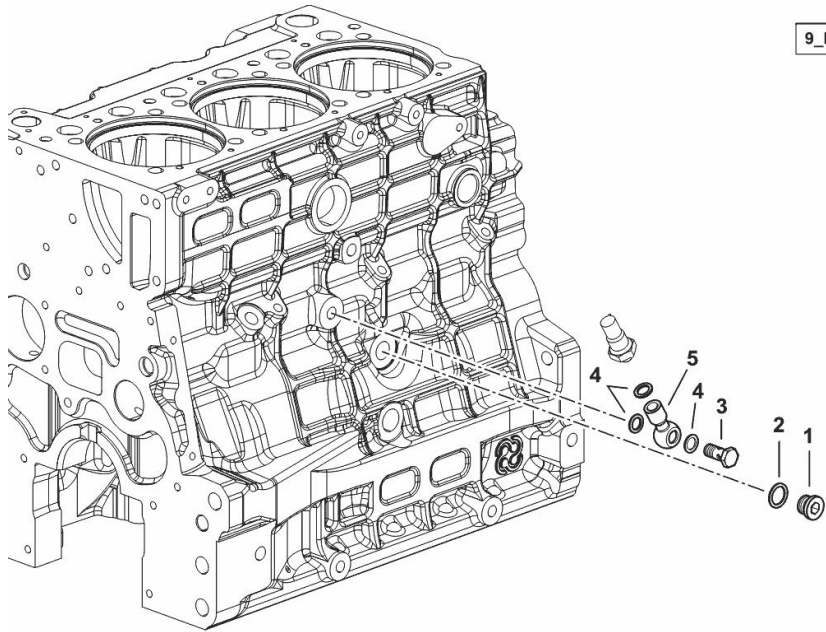
Fig.	P/n	QTY	Name
------	-----	-----	------

**Notes:**

[5090.4 D ECOLINE 2WD -&gt; 30001] [5090.4 D ECOLINE 4WD -&gt; 30001]

1	2.3120.101.0	1	plug m 18 p.1.5
2	2.1560.014.0	1	washer 18.2 x 24
3	2.3249.697.2	1	pipe union
4	2.1560.008.0	3	gasket 12.2 x 18
5	2.3249.014.2	1	pipe fitting m 12 p.1.5

9\_IB615\_07\_0-A-001



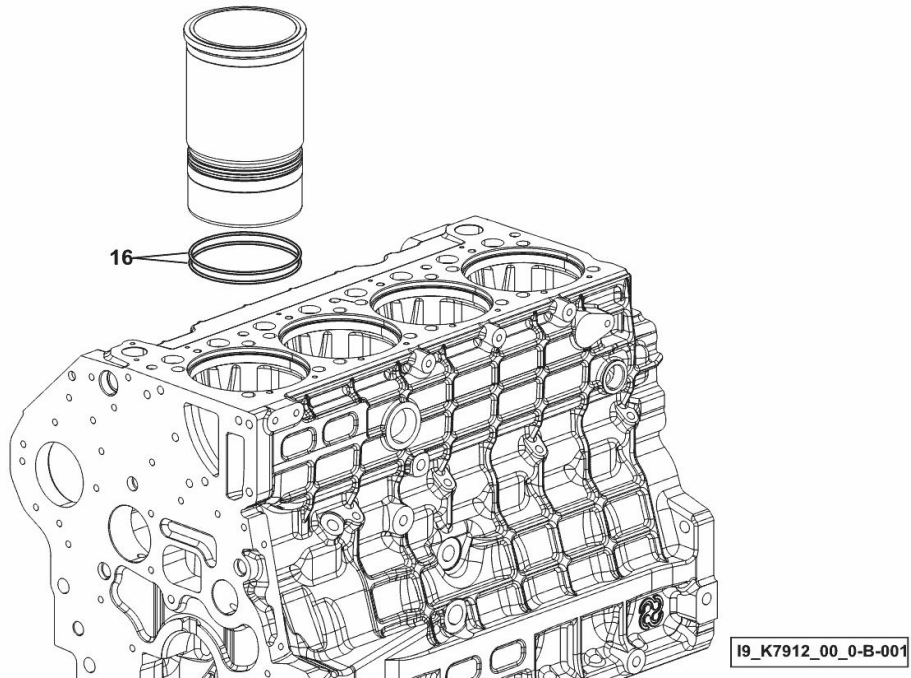
**CYLINDER LINER O-RING**

Fig.	P/n	QTY	Name
------	-----	-----	------

**Notes:**

[5090.4 D ECOLINE 2WD -&gt; 30001] [5090.4 D ECOLINE 4WD -&gt; 30001]

16	2.1539.259.0	8	special oil seal 107.62x2.62
----	--------------	---	------------------------------



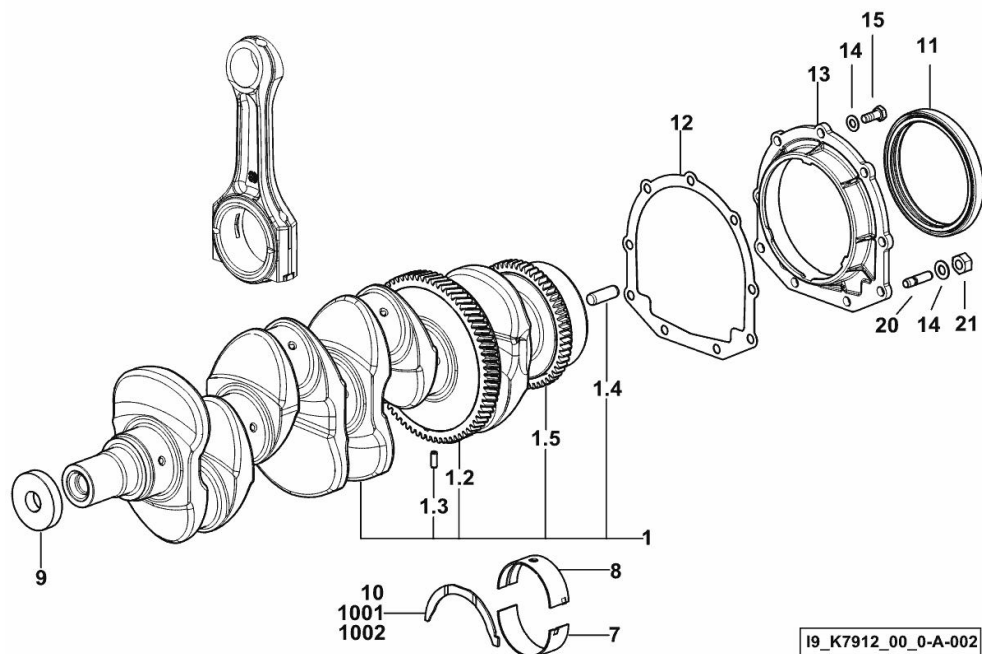
Section: B0 - ENGINE

**CRANKSHAFT**

Fig.	P/n	QTY	Name
------	-----	-----	------

**Notes:**

[5090.4 D ECOLINE 2WD -&gt; 30001] [5090.4 D ECOLINE 4WD -&gt; 30001]



I9\_K7912\_00\_0-A-002

1	0.019.2251.3/10	1	crankshaft
1.2	0.065.1211.0/10	1	crown wheel
1.3	2.1630.608.0	1	pin 6x16
1.4	2.1651.915.0	1	pin 12x35
1.5	0.007.0855.0/10	1	gear
7	0.019.5456.0	5	main half bushing STANDARD
8	0.019.5455.0	5	main half bushing STANDARD
9	2.1599.524.7	1	washer 21x60x12
10	0.065.1218.0	4	shim STANDARD
11	2.1529.073.0	1	special oil seal 110x130x13
12	0.065.1254.0/20	1	gasket
13	0.007.0851.0/10	1	cover
14	2.1475.002.2	9	conical washer 8
15	2.0112.207.2	7	screw m 8 p 1.25 x 20
20	2.0432.003.7	2	stud bolt m 8 p.1.25 / p.1 x 20
21	2.1011.405.2	2	nut m 8 p.1
1001	0.065.1218.7		shim + mm 0.10
1002	0.065.1218.8		shim + mm 0.15

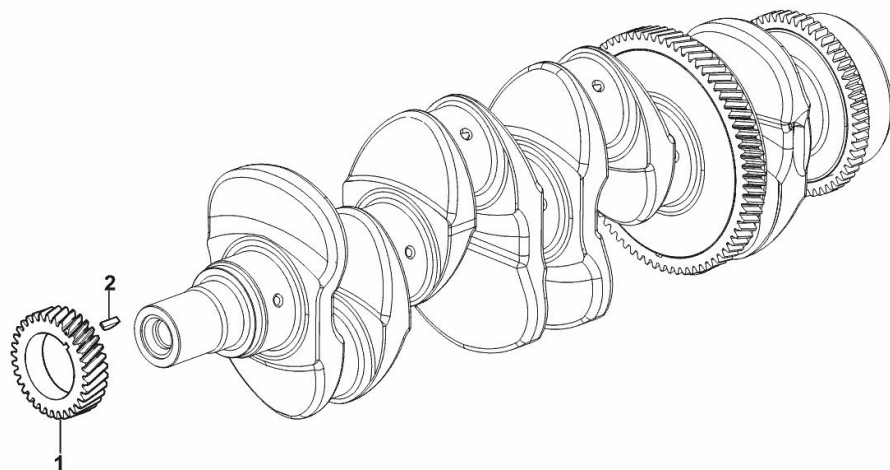
**CRANKSHAFT GEAR**

Fig.	P/n	QTY	Name
------	-----	-----	------

**Notes:**

[5090.4 D ECOLINE 2WD -&gt; 30001] [5090.4 D ECOLINE 4WD -&gt; 30001]

1	0.019.4145.0	1	gear z = 33
2	2.1720.006.0	1	key 4x6.5



I9\_K7913\_00\_0-D-001

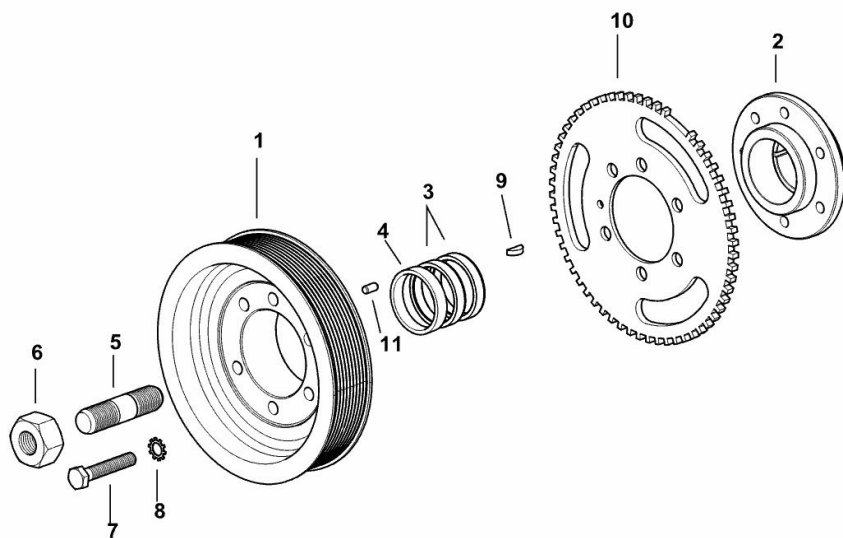
**CRANKSHAFT PULLEY**

Fig.	P/n	QTY	Name
------	-----	-----	------

**Notes:**

[5090.4 D ECOLINE 2WD -&gt; 30001] [5090.4 D ECOLINE 4WD -&gt; 30001]

1	0.019.9925.0	1	pulley
2	0.019.6668.0	1	flange
3	0.065.1256.0	2	ring 45x52
4	2.1579.865.0	1	spacer 45.2x51.8x10
5	2.0439.195.7	1	stud bolt m 20 p.1.5x80
6	2.1019.094.7	1	nut m 20 p.1.5
7	2.0112.320.2	6	screw m 10 p.1.5 x 55
8	2.1470.006.2	6	lock washer 10
9	2.1720.006.0	1	key 4x6.5
10	0.019.6413.0	1	gear wheel
11	2.1651.505.0	1	cylindrical plug 6x12



19\_K7812\_01\_0-A-001

**ENGINE FLYWHEEL**

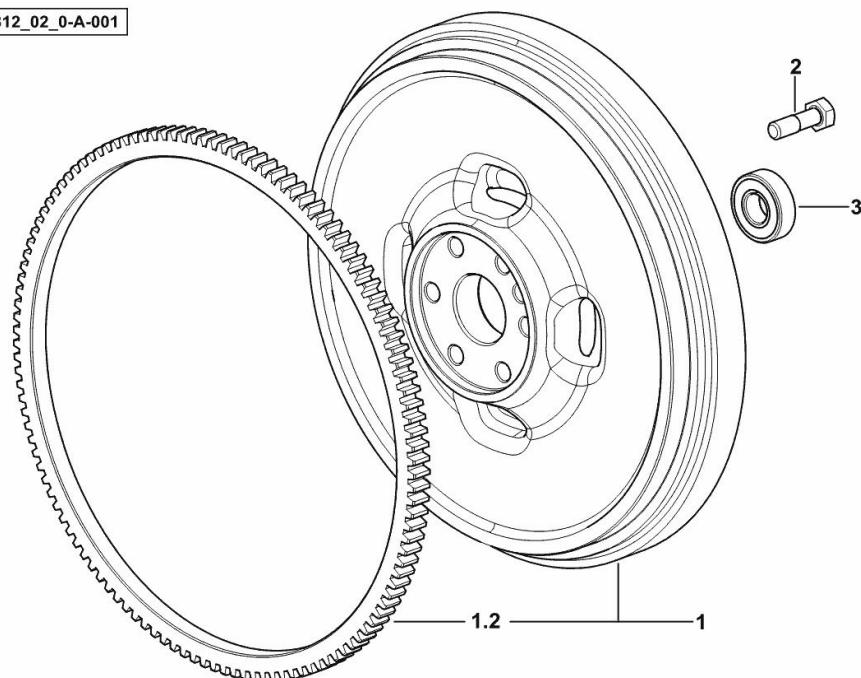
Fig.	P/n	QTY	Name
------	-----	-----	------

**Notes:**

[5090.4 D ECOLINE 2WD -&gt; 30001] [5090.4 D ECOLINE 4WD -&gt; 30001]

1	0.017.7896.3	1	flywheel
1.2	0.065.1242.0	1	crown wheel Z = 123
2	2.0399.395.7	6	screw
3	2.2041.008.0	1	ball bearing 20x47x14

9\_IB812\_02\_0-A-001



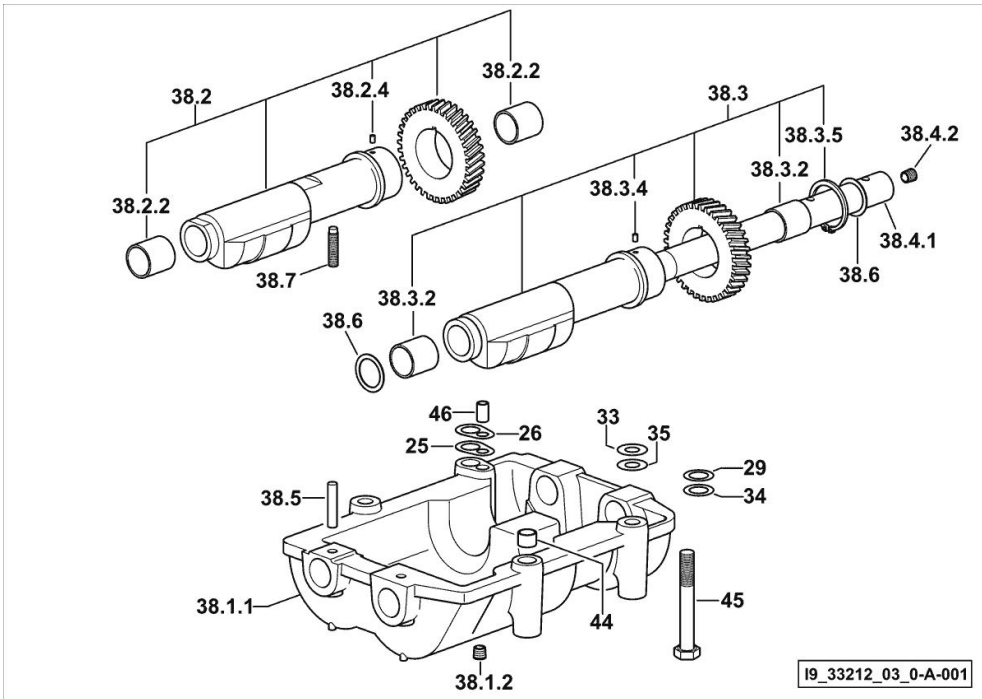


**COUNTERWEIGHTS**

Fig.	P/n	QTY	Name
------	-----	-----	------

**Notes:**

[5090.4 D ECOLINE 2WD -> 30001] [5090.4 D ECOLINE 4WD -> 30001]



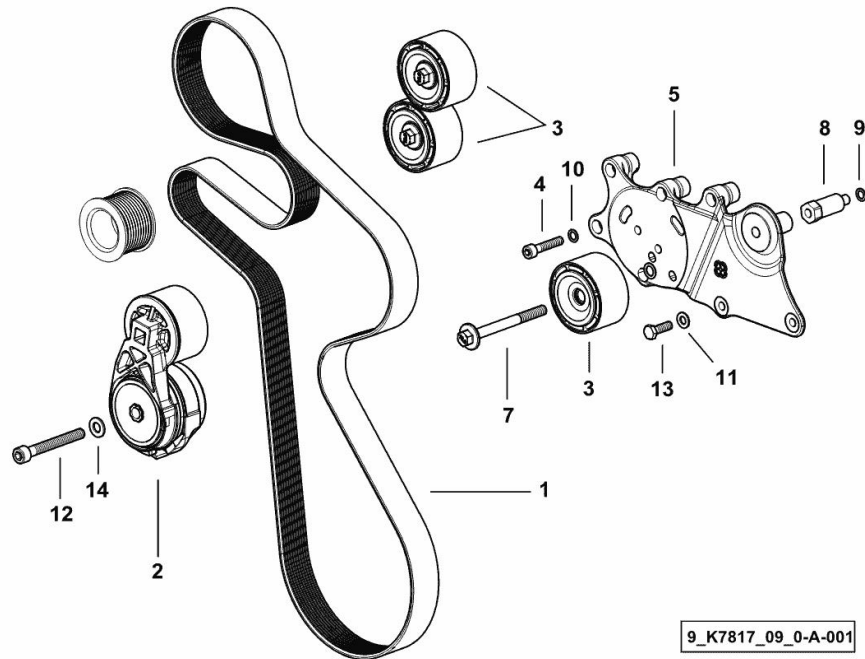
25	2.1589.139.0	1	shoulder ring mm 0.3
26	2.1589.140.0	3	shoulder ring mm 0.1
29	2.1579.628.0	3	spacer 16.5x26x0.1
33	2.1579.629.0	6	spacer 12.5x26x0.1
34	2.1589.048.0	1	shoulder ring 16.5x26x0.3
35	2.1589.049.0	1	shoulder ring 12.5x26x0.3
38.1.1	0.086.1231.0/10	1	box
38.1.2	2.3130.001.1	4	plug 1/8" gas
38.2	0.086.1233.3/30	1	mass sx/lh/li
38.2.2	2.1559.115.0	2	special bushing 26x30x30
38.2.4	2.1651.302.0	1	roll pin 4x6
38.3	0.065.1233.3/30	1	mass dx/rh/re
38.3.2	2.1559.115.0	2	special bushing 26x30x30
38.3.4	2.1651.302.0	1	roll pin 4x6
38.3.5	2.1410.018.1	1	circlip 45
38.4.1	0.065.1234.0/10	1	shaft
38.4.2	2.3130.001.1	1	plug 1/8" gas
38.5	2.1631.717.0	2	roll pin 8 x 40
38.6	2.1589.185.0	4	shoulder ring 26.1x34x1
38.7	2.0522.212.7	1	screw m 8 p.1.25 x 30
44	2.1579.626.0	2	spacer 13.2x16x11
45	2.0139.028.2	4	screw m 12
46	2.1699.191.0	1	bush 7x10x16

**BELT AND TENSIONER**

Fig.	P/n	QTY	Name
------	-----	-----	------

**Notes:**

- FOR TRACTORS WITH AIR CONDITIONING [5090.4 D ECOLINE 2WD -> 30001] 30013 <- - FOR TRACTORS WITH AIR CONDITIONING [5090.4 D ECOLINE 4WD -> 30001] 30013 <-



9\_K7817\_09\_0-A-001

1	2.4119.218.0/10	1	belt PK 10 L=2017
2	0.021.4446.4	1	tensioner
3	0.019.9869.4/10	3	pulley guide
4	2.0312.214.2	5	screw m 8 p.1.25 x 40
5	0.019.8853.0/10	1	support
7	2.0399.380.2	1	screw
8	2.0399.379.2	1	small column
9	2.1480.015.2	1	washer 10
10	2.1480.014.2	5	washer 8
11	2.1310.004.2	2	flat washer 8.4x17
12	2.0314.322.2	1	screw
13	2.0112.209.2	2	screw m 8 p 1.25 x 25
14	2.1310.006.2	1	flat washer 10.5x21

**Buy Now**



Our support email:

[ebooklibonline@outlook.com](mailto:ebooklibonline@outlook.com)