

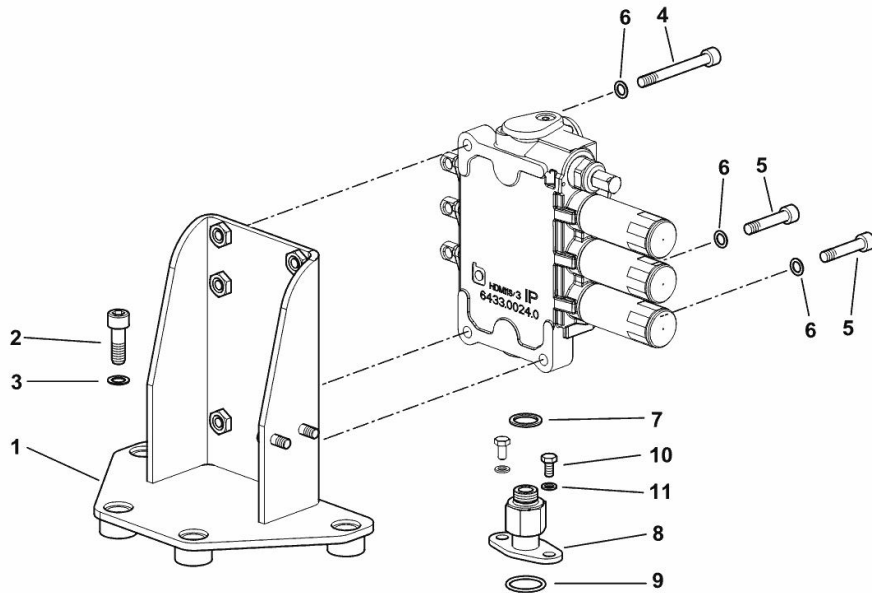
SUPPORT AND FIXTURE OF REAR 4-6 WAY CONTROL VALVE

Fig.	P/n	QTY	Name
------	-----	-----	------

Notes:

[5110 C -> ZKDY440100TD10001] [5110 C -> ZKDY440200TD10001]

1	0.014.9763.3/10	1	bracket
2	2.0312.310.2	4	screw m 10 p.1.5 x 30
3	2.1480.015.2	4	washer 10
4	2.0312.216.2	1	screw m 8 p.1.25x50
5	2.0312.214.2	2	screw m 8 p.1.25 x 40
6	2.1480.014.2	3	washer 8
7	2.1560.014.0	1	washer 18.2 x 24
8	0.015.2058.4/10	1	pipe fitting
9	2.1531.066.0	1	oil seal 25.07x2.62
10	2.0112.003.2	2	screw m 6 p.1 x 12
11	2.1470.002.2	2	lock washer 6



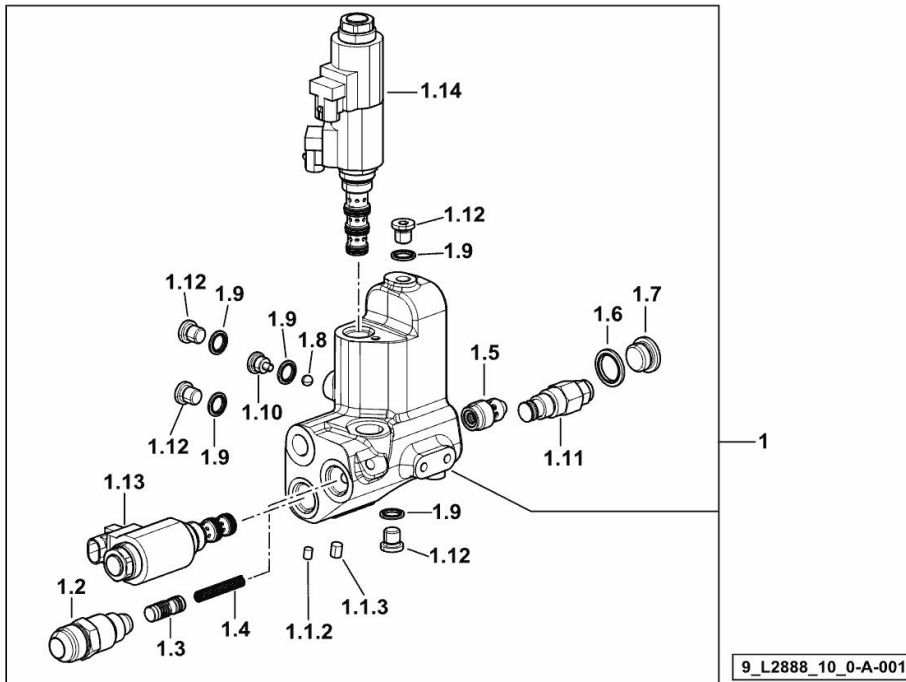
9_L8388_00_0-A-001

2-WAY SPOOL VALVE

Fig.	P/n	QTY	Name
------	-----	-----	------

Notes:

[5110 C -> ZKDY440100TD10001] [5110 C -> ZKDY440200TD10001]



1	0.017.0276.4/20	1	spool valve assy.
1.1.2	2.1890.003.2	3	expansion plug 6
1.1.3	2.1890.006.2	7	plug 8
1.2	2.3249.557.2	1	pipe fitting m 22
1.3	0.9087.457.0/10	1	valve
1.4	2.4019.256.1	1	spring 7.8 x 54 x 1.4
1.5	2.3729.620.0	1	spool valve assy.
1.6	2.1561.017.0	1	oil seal
1.7	2.3199.001.2	1	plug 1/2" gas
1.8	2.2810.004.0	1	ball 5/16"
1.9	2.1561.006.0	5	oil seal 12
1.10	2.3139.019.2	1	plug
1.11	2.3719.630.0/10	1	valve
1.12	2.3120.008.4	4	plug m 12 x 1,5
1.13	2.3729.600.0	1	solenoid valve
1.14	2.3729.610.0	1	solenoid valve

QUICK COUPLER MANIFOLD

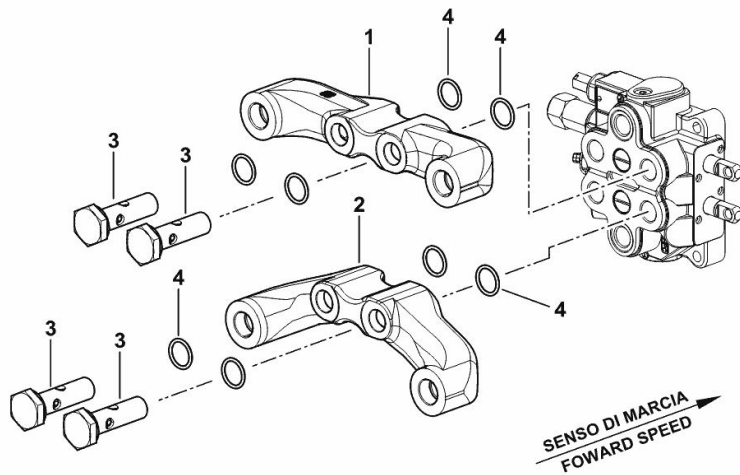
Fig.	P/n	QTY	Name
------	-----	-----	------

Notes:

- FOR TYPES WITH 4 WAY REAR CONTROL VALVE [5110 C -> ZKDY440100TD10001] - FOR TYPES WITH 4 WAY REAR CONTROL VALVE [5110 C -> ZKDY440200TD10001]

1	0.020.8793.0	1	manifold
2	0.020.8794.0	1	manifold
3	2.3249.152.2/10	4	pipe union m 18 p.1.5x62
4	2.1531.052.0	8	oil seal 20.29 x 2.62

9_Y5288_00_0-A-001



GUARDS AND 6-WAY QUICK COUPLERS

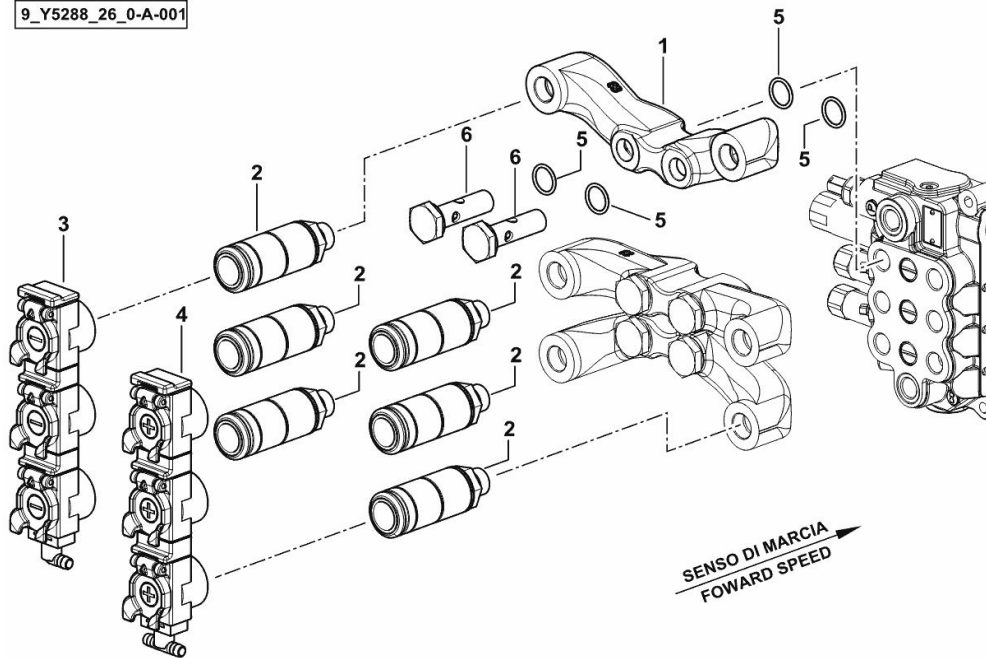
Fig.	P/n	QTY	Name
------	-----	-----	------

Notes:

[5110 C -> ZKDY440100TD10001] [5110 C -> ZKDY440200TD10001]

1	0.020.8794.0	1	manifold
2	0.010.8473.0	6	coupling FASTER - m 22 p.1.5 / Ø 38 ☞ 0.010.8473.0
3	0.015.0210.0/10	1	plug
4	0.015.0209.0/10	1	plug
5	2.1531.052.0	4	oil seal 20.29 x 2.62
6	2.3249.152.2/10	2	pipe union m 18 p.1.5x62

9_Y5288_26_0-A-001



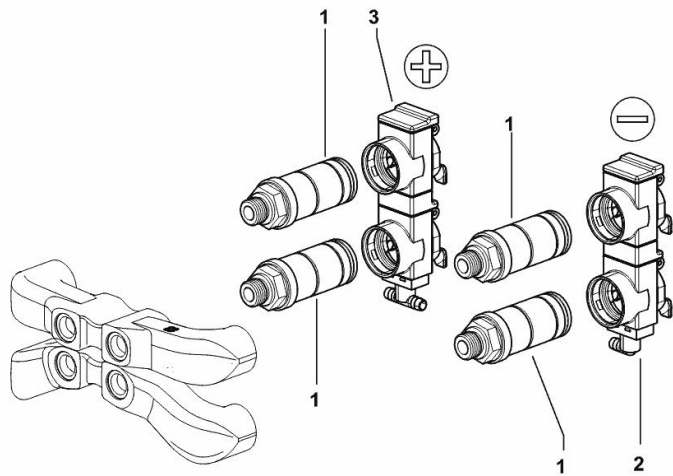
4-WAY QUICK COUPLERS

Fig.	P/n	QTY	Name
------	-----	-----	------

Notes:

[5110 C -> ZKDY440100TD10001] [5110 C -> ZKDY440200TD10001]

1	0.010.8473.0	4	coupling FASTER - m 22 p.1.5 / Ø 38 ☞ 0.010.8473.0
2	0.015.0293.0/10	1	plug
3	0.015.0290.0/10	1	plug



9_H1288_16_0-A-002

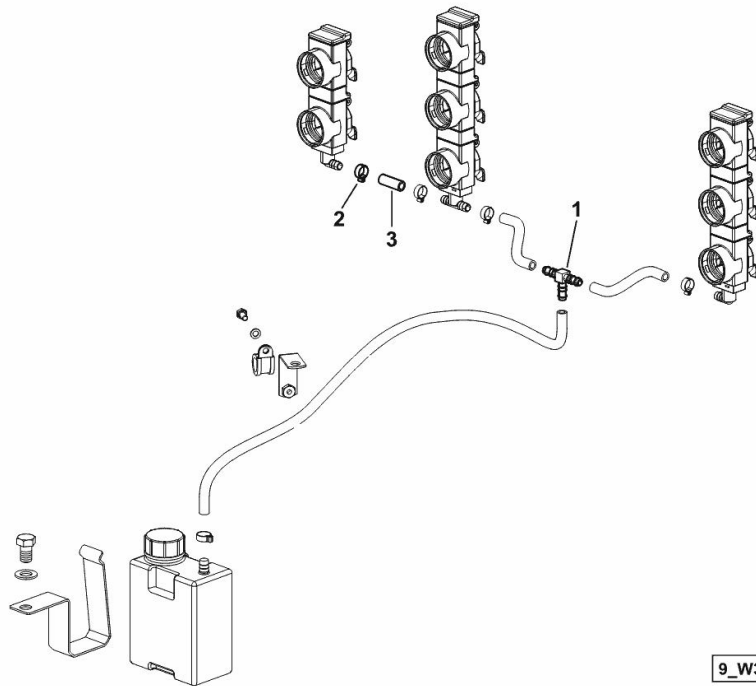
COMPLETION OF CLUTCHES OIL COLLECTION SYSTEM

Fig.	P/n	QTY	Name
------	-----	-----	------

Notes:

[5110 C -> ZKDY440100TD10001] [5110 C -> ZKDY440200TD10001]

1	2.3249.012.0	1	pipe fitting T
2	2.6857.019.0	1	clamp 14
3	0.012.9660.0/10	0.13	flexible hose



9_W3688_37_0-A-001

KIT FOR 2-WAY CONTROL VALVE

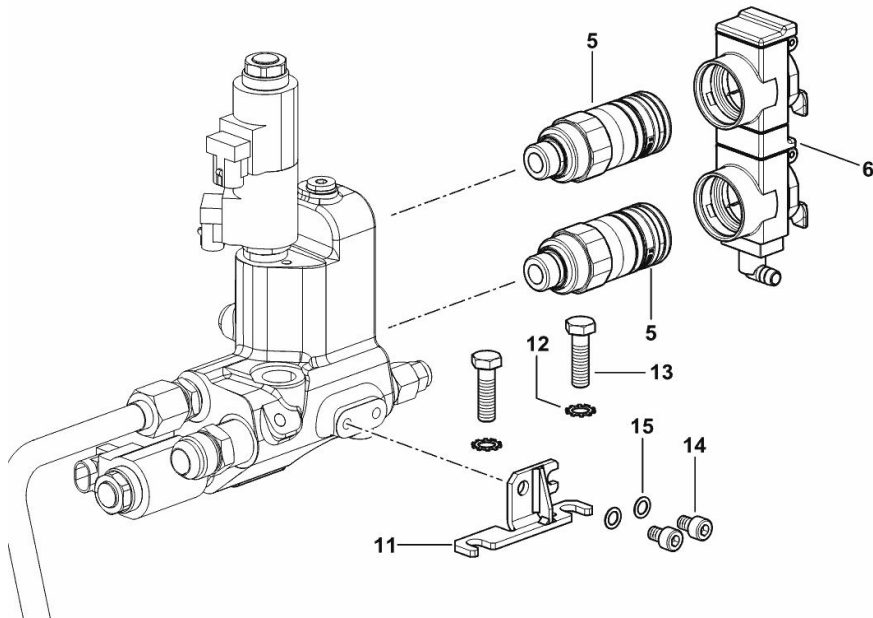
Fig.	P/n	QTY	Name
------	-----	-----	------

Notes:

- FOR MODELS WITH FRONT LIFT [5110 C -> ZKDY440100TD10001] - FOR MODELS WITH FRONT LIFT [5110 C -> ZKDY440200TD10001]

5	0.018.4649.0	2	coupling PARKER - m 22 p.1.5 / Ø 38 ☞ 0.018.4649.0
6	0.015.9298.0	2	plug
11	0.020.7865.2	1	bracket
12	2.1470.006.2	2	lock washer 10
13	2.0112.313.2	2	screw m 10 p.1.5 x 35
14	2.0112.203.2	2	screw m 8 p.1.25 x 12
15	2.1310.004.2	2	flat washer 8.4x17

9_Y5288_11_0-A-001



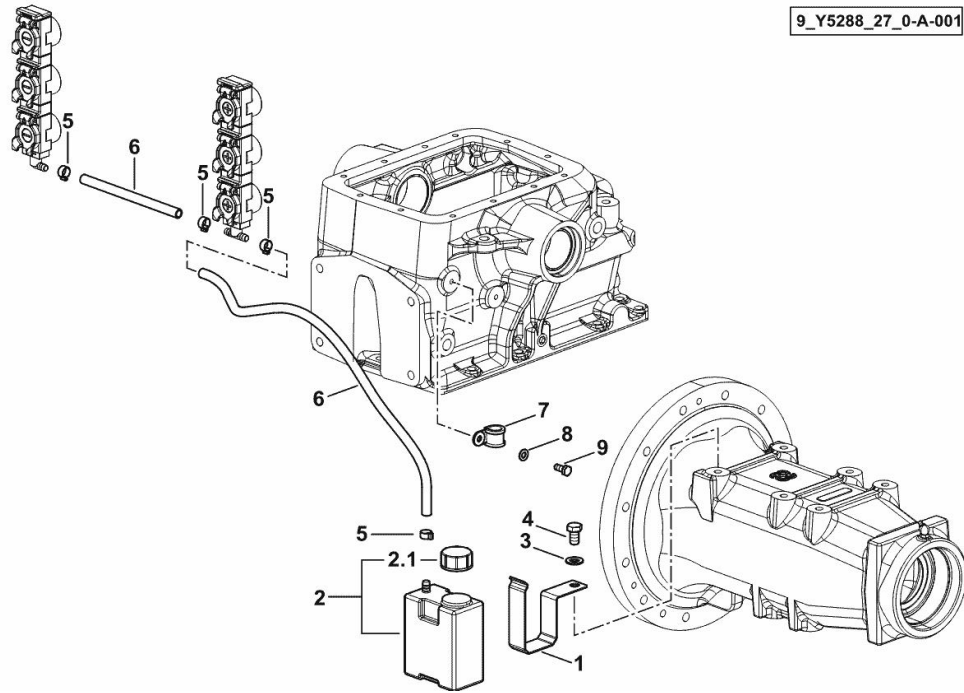
CONNECTOR OIL COLLECTION SYSTEM

Fig.	P/n	QTY	Name
------	-----	-----	------

Notes:

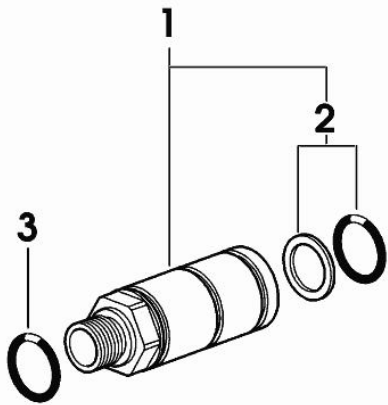
[5110 C -> ZKDY440100TD10001] [5110 C -> ZKDY440200TD10001]

1	0.015.3430.0	1	bracket
2	04426824.4	1	tank 600 cm ³
2.1	04428375	1	plug
3	2.1475.004.2	1	spring washer 12
4	2.0112.407.2	1	screw m 12 p.1.75 x 20
5	2.6857.019.0	4	clamp 14
6	0.012.9660.0/10	0.75	flexible hose
7	2.6839.058.0	1	clamp Ø 17/20
8	2.1310.004.2	1	flat washer 8.4x17
9	2.0112.206.2	1	screw m 8 p.1.25 x 18



ENGAGEMENT

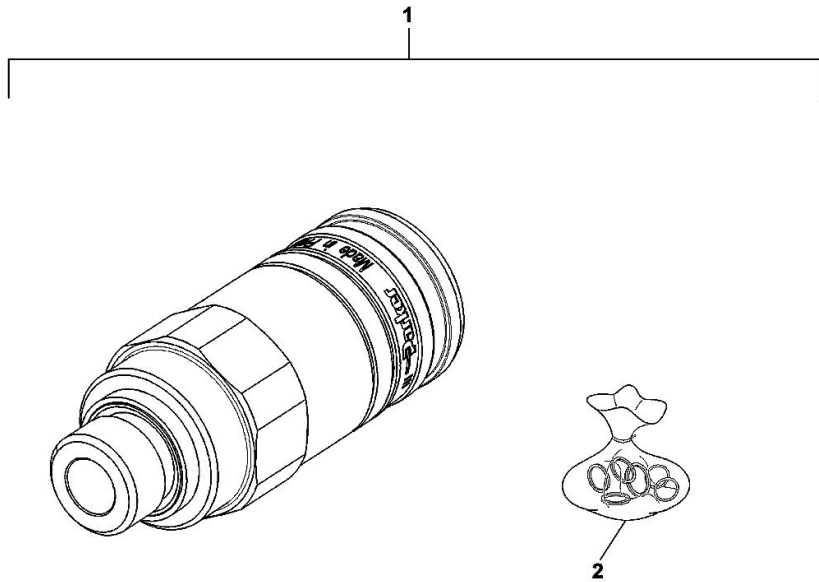
Fig.	P/n	QTY	Name
1	0.010.8473.0	1	coupling FASTER - m 22 p.1.5 / Ø 38
2	04438079	1	seal ring kit
3	0.900.0126.3	1	special oil seal



010_8473_0

ENGAGEMENT

Fig.	P/n	QTY	Name
1	0.018.4649.0	1	coupling PARKER - m 22 p.1.5 / Ø 38
2	0.900.2069.4	1	seal ring kit



0.018.4649.0

Buy Now



Our support email:

ebooklibonline@outlook.com