

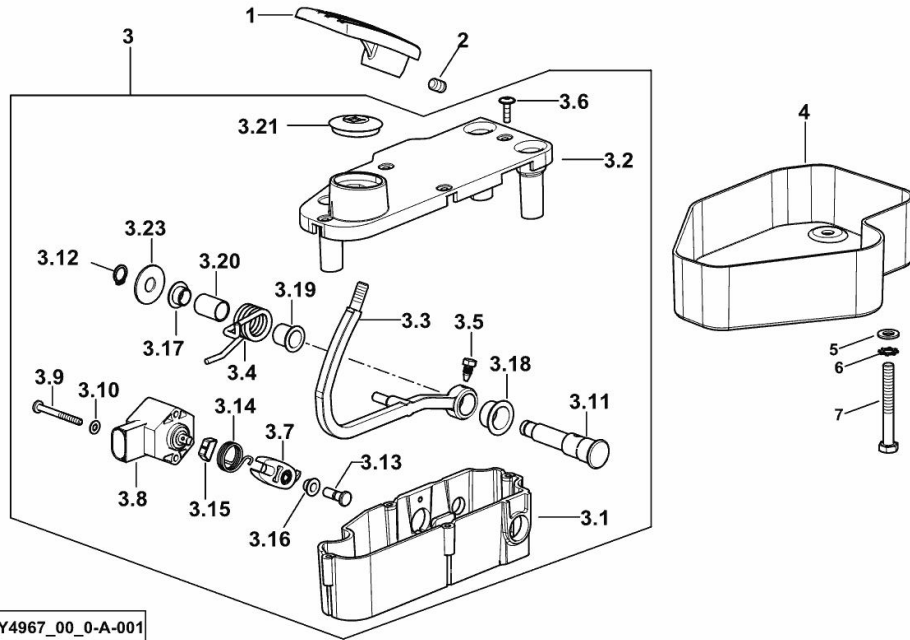
ELECTRONIC ACCELERATOR CONTROL

Fig.	P/n	QTY	Name
------	-----	-----	------

Notes:

[5120 C -> ZKDY560100TD10001] [5120 C -> ZKDY560200TD10001]

1	0.010.8696.2/20	1	accel. pedal
2	2.0512.204.7	1	grub screw m 8 p.1.25 x 12
3	0.012.6571.4/60	1	accel. pedal
3.1	0.010.8694.2/30	1	box
3.2	0.019.2583.0	1	cover
3.3	0.019.0829.0	1	lever
3.4	2.4099.115.2/30	1	spring
3.5	2.0399.272.2	1	screw m 5
3.6	2.0363.105.2	4	screw m 4
3.7	0.011.6578.0	1	lever
3.8	04429390/10	1	sensor
3.9	2.0332.211.3	2	screw m 4 x 40
3.10	2.1310.028.2	2	flat washer
3.11	0.011.6028.0/20	1	pin
3.12	2.1410.001.1	1	circlip 10
3.13	2.1699.492.2/20	1	pin
3.14	2.4099.134.2	1	spring
3.15	0.011.3791.0	1	clip
3.16	2.2841.010.0	1	bushing 6x8x6
3.17	2.2841.034.0	1	bushing 10x12x7
3.18	2.2841.071.0	1	bushing 16x18x12
3.19	2.2841.043.0	1	bushing 12 x 14 x 15
3.20	2.2840.042.0	1	bushing 12x14x20
3.21	0.019.3267.0	1	rubber plug
3.23	2.1599.044.2	1	shoulder ring
4	0.015.2282.0	1	cover
5	2.1310.004.2	3	flat washer 8.4x17
6	2.1470.004.2	3	lock washer 8
7	2.0112.222.2	3	screw m 8 p.1.25x65



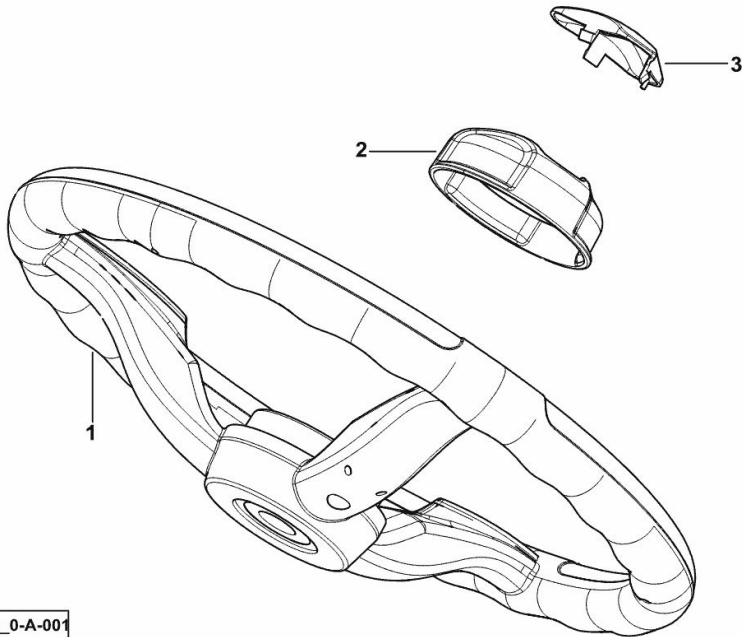
STEERING WHEEL

Fig.	P/n	QTY	Name
------	-----	-----	------

Notes:

[5120 C -> ZKDY560100TD10001] [5120 C -> ZKDY560200TD10001]

1	0.019.6632.4	1	steering wheel
2	0.019.2408.2/10	1	knob
3	0.019.0481.0/10	1	plug



9_Y7261_00_0-A-001

STEERING COLUMN

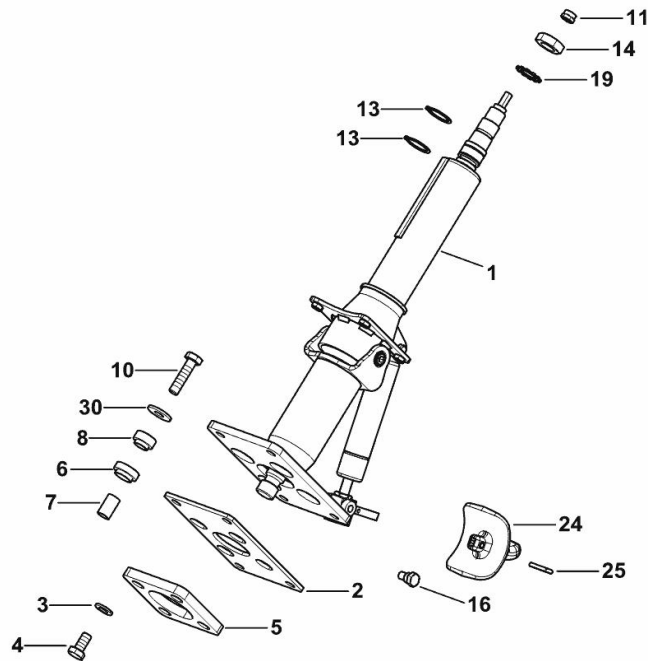
Fig.	P/n	QTY	Name
------	-----	-----	------

Notes:

[5120 C -> ZKDY560100TD10001] [5120 C -> ZKDY560200TD10001]

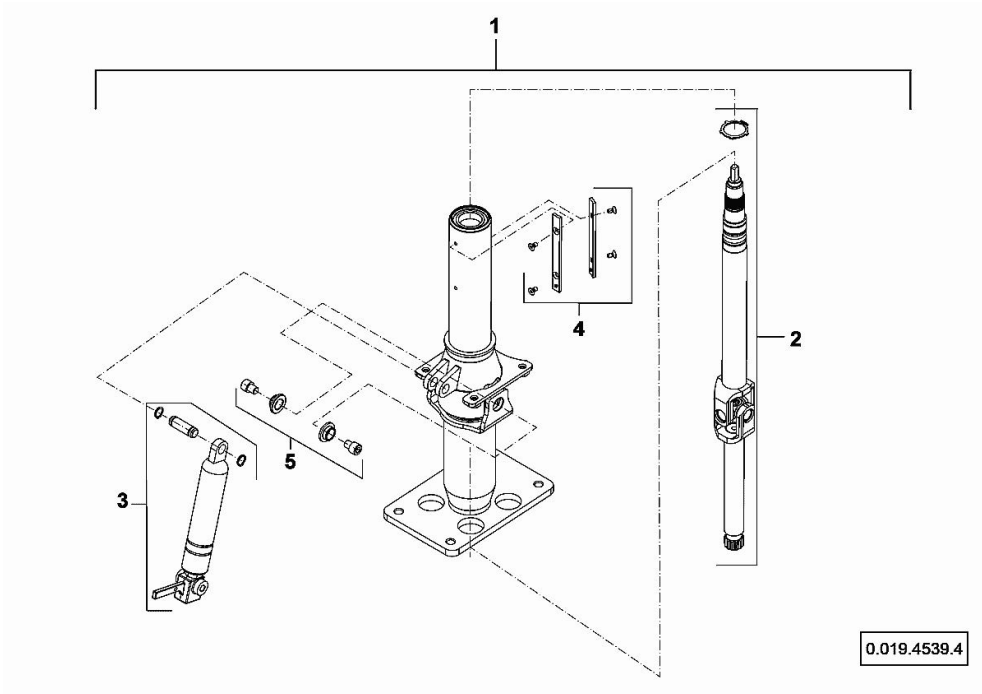
1	0.020.4539.4	1	steering column ☞ 0.020.4539.4
2	0.010.7445.0/10	1	plate
3	2.1310.006.2	4	flat washer 10.5x21
4	2.0312.306.2	4	screw m 10 p.1.5 x 20
5	04355546	1	plate
6	04355695	4	spacer
7	04386557	4	spacer
8	0.018.1722.0	4	spacer
10	2.0114.315.2	4	screw m 10 p.1.5 x 40
11	2.1120.105.2	1	self-locking nut m 8 p.1.25
13	2.1410.010.7	2	circlip 25
14	2.1011.510.2	1	nut m 18 p.1.5
16	2.0119.243.2/10	2	screw m 8 p1.25x16
19	2.1470.010.2	1	lock washer 18
24	0.013.2547.0/10	1	lever
25	2.1690.408.2	1	split pin 4 x 20
30	2.1399.039.2/10	4	washer 10 x 25 x 2,5

9_Y4063_00_0-A-001



STEERING COLUMN

Fig.	P/n	QTY	Name
1	0.020.4539.4	1	steering column
2	0.900.2139.6	1	shaft - KIT
3	0.900.0305.8	1	spring
4	0.010.3701.0	1	stick
5	0.900.0129.2	1	pin

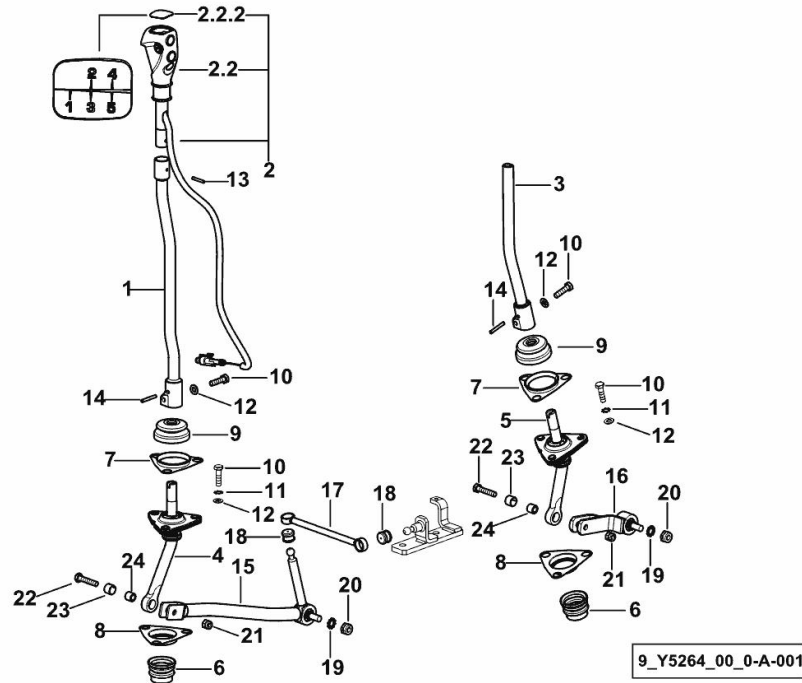


GEARBOX CONTROLS

Fig.	P/n	QTY	Name
------	-----	-----	------

Notes:

- FOR TYPES WITH HI - LO [5120 C -> ZKDY560100TD10001] - FOR TYPES WITH HI - LO [5120 C -> ZKDY560200TD10001] - FOR TYPES WITH H-M-L [5120 C -> ZKDY560100TD10001] - FOR TYPES WITH H-M-L [5120 C -> ZKDY560200TD10001]



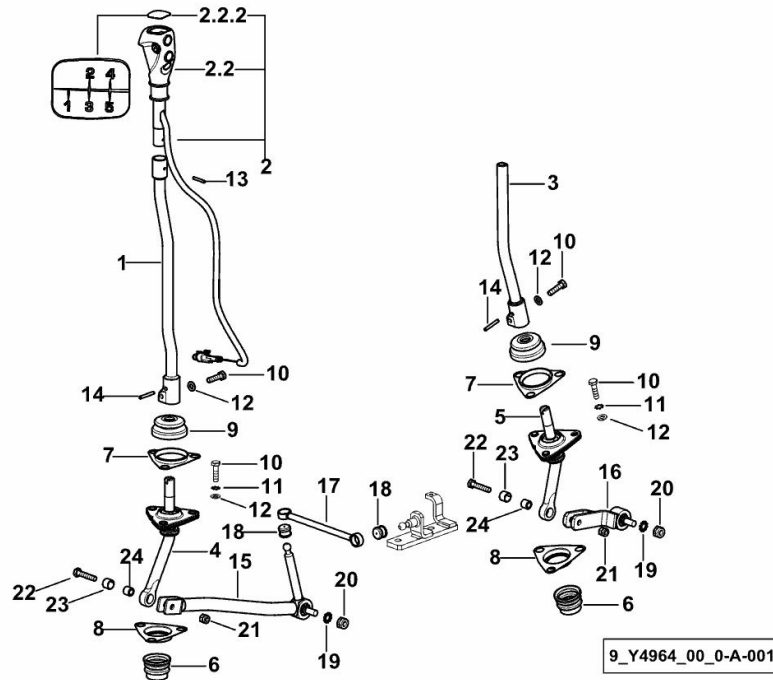
1	0.020.8063.3/10	1	gear lever
2	0.020.8076.4	1	lever
2.2	0.019.7635.3	1	knob
			- WITHOUT PUSHBUTTONS
2.2.2	0.019.8900.2	1	cap
3	0.020.7986.3	1	lever
4	0.014.8613.4	1	lever
5	0.014.8623.4	1	lever
6	0.007.7693.0/10	2	cap-washer
7	0.007.6981.0/10	2	cap-washer
8	0.007.7692.0/10	2	bellows
9	0.255.6451.0/10	2	bellows
10	2.0112.211.2	8	screw m 8 p.1.25 x 30
11	2.1470.004.2	6	lock washer 8
12	2.1310.004.2	8	flat washer 8.4x17
13	2.1630.451.2	1	pin 4 x 26
14	2.1631.415.2	2	pin 5x32
15	0.014.8487.3	1	rod
16	0.020.7584.3	1	lever
17	0.020.7582.2	1	rod
18	0.255.6454.0	2	pin seat
19	2.1470.006.2	2	lock washer 10
20	2.1120.106.2	2	self-locking nut m 10 p.1.25
21	2.1120.005.2	2	nut m 8 p.1.25
22	2.0112.215.2	2	screw m 8 p.1.25 x 40
23	2.1579.965.2	2	spacer 8.5x14x12.5
24	2.1555.107.0	2	bushing 14x16x12

GEARBOX CONTROLS

Fig.	P/n	QTY	Name
------	-----	-----	------

Notes:

[5120 C -> ZKDY560100TD10001] [5120 C -> ZKDY560200TD10001]



1	0.020.8063.3/20	1	gear lever
2	0.020.8167.4	1	gear lever
2.2	0.019.7635.3	1	knob - WITHOUT PUSHBUTTONS AND PLUGS
2.2.2	0.019.8900.2	1	cap
3	0.020.7986.3	1	lever
4	0.014.8613.4	1	lever
5	0.014.8623.4	1	lever
6	0.007.7693.0/10	2	cap-washer
7	0.007.6981.0/10	2	cap-washer
8	0.007.7692.0/10	2	bellows
9	0.255.6451.0/10	2	bellows
10	2.0112.211.2	8	screw m 8 p.1.25 x 30
11	2.1470.004.2	6	lock washer 8
12	2.1310.004.2	8	flat washer 8.4x17
13	2.1630.451.2	1	pin 4 x 26
14	2.1631.415.2	2	pin 5x32
15	0.014.8487.3	1	rod
16	0.020.7584.3	1	lever
17	0.020.7582.2	1	rod
18	0.255.6454.0	2	pin seat
19	2.1470.006.2	2	lock washer 10
20	2.1120.106.2	2	self-locking nut m 10 p.1.25
21	2.1120.005.2	2	nut m 8 p.1.25
22	2.0112.215.2	2	screw m 8 p.1.25 x 40
23	2.1549.849.0	2	spacer 8x14x12.5
24	2.1555.107.0	2	bushing 14x16x12

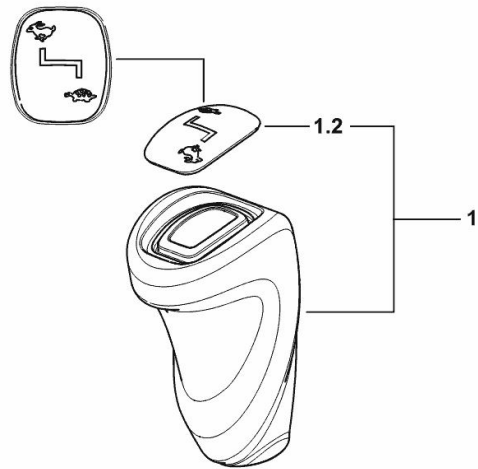
KNOB FOR 2-RANGE GEARBOX

Fig.	P/n	QTY	Name
------	-----	-----	------

Notes:

[5120 C -> ZKDY560100TD10001] [5120 C -> ZKDY560200TD10001]

1	0.020.7677.3	1	knob
1.2	0.020.7835.3	1	cap



9_Y4964_01_0-A-001

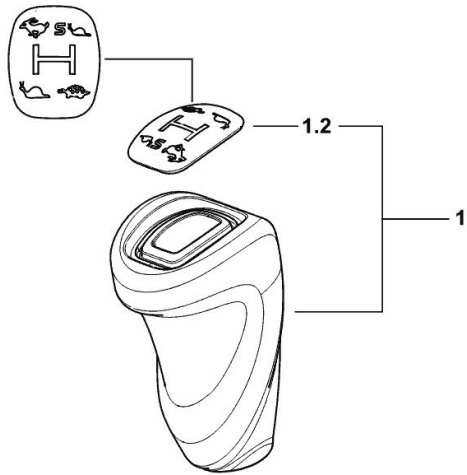
KNOB FOR 4-SPEED RANGE GEARBOX

Fig.	P/n	QTY	Name
------	-----	-----	------

Notes:

[5120 C -> ZKDY560100TD10001] [5120 C -> ZKDY560200TD10001]

1	0.020.7692.3	1	knob
1.2	0.011.0052.3/20	1	cap



9_Y4964_02_0-A-001

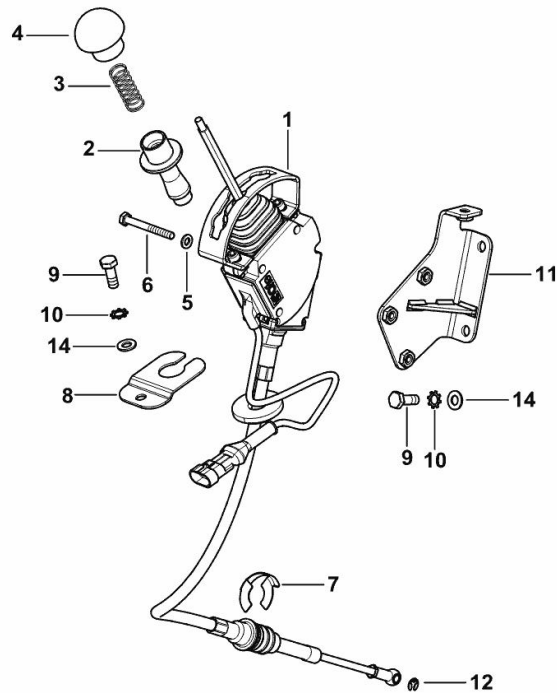
P.T.O. SHAFT DRIVE

Fig.	P/n	QTY	Name
------	-----	-----	------

Notes:

[5120 C -> ZKDY560100TD10001] [5120 C -> ZKDY560200TD10001]

1	0.020.7480.4	1	control ☞ 0.020.7480.4
2	0.018.9419.0	1	slider
3	2.4019.835.2	1	spring
4	0.018.9421.2	1	knob
5	2.1310.002.2	3	flat washer 6.4x12.5
6	2.0112.020.2	3	screw m 6 p.1 x 55
7	04418159	1	circlip
8	0.020.7477.0	1	bracket
9	2.0112.208.2	3	screw m 8 p.1.25 x 22
10	2.1470.004.2	3	lock washer 8
11	0.020.7478.3	1	bracket
12	2.1430.006.2	1	circlip 5
14	2.1310.004.2	3	flat washer 8.4x17



9_Y4968_15_0-A-001

P.T.O. - ECONOMICAL CONTROL

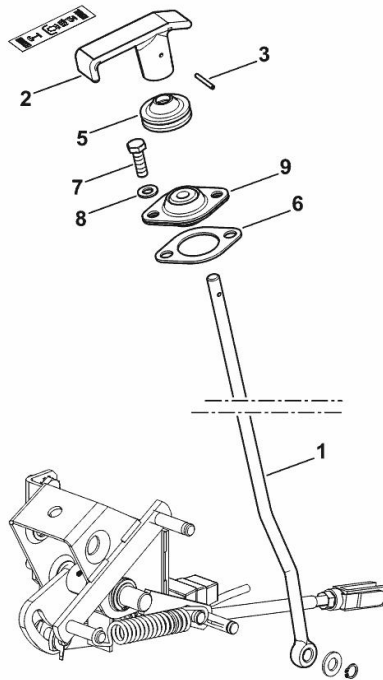
Fig.	P/n	QTY	Name
------	-----	-----	------

Notes:

[5120 C -> ZKDY560100TD10001] [5120 C -> ZKDY560200TD10001]

1	0.020.7814.0	1	rod
2	0.020.7873.0	1	grip
3	2.1630.251.9	1	pin 3x26
5	2.6569.069.0/10	1	rubber plug
6	0.009.0480.0	1	gasket
7	2.0112.209.2	2	screw m 8 p 1.25 x 25
8	2.1310.004.2	2	flat washer 8.4x17
9	0.009.1618.3	1	support

9_Y4968_10_0-A-001



Buy Now



Our support email:

ebooklibonline@outlook.com