

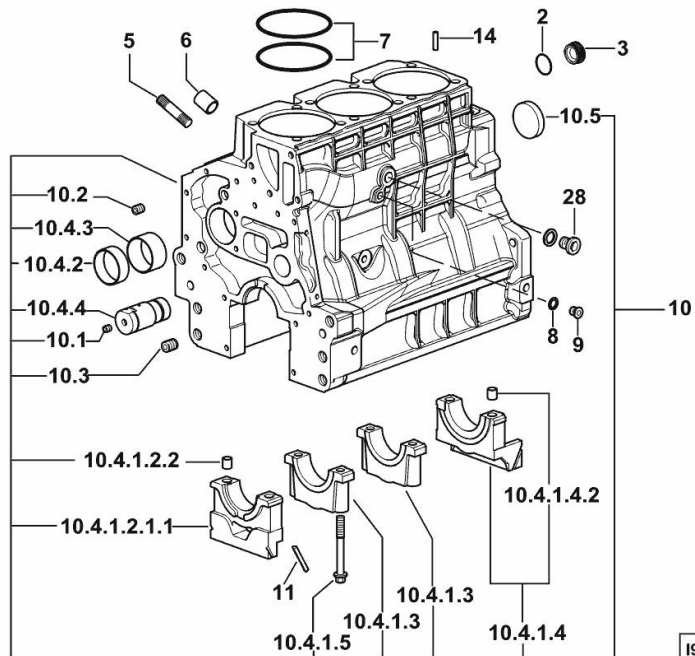
## Section: B0 - ENGINE

**CRANKCASE**

| Fig. | P/n | QTY | Name |
|------|-----|-----|------|
|------|-----|-----|------|

**Notes:**

[SAME 55 2WD] [SAME 55 4WD]



|              |                 |    |                                 |
|--------------|-----------------|----|---------------------------------|
| 2            | 2.1532.072.0    | 1  | oil seal 26.70x1.78             |
| 3            | 2.3199.405.2    | 1  | plug m 28 p.1.5                 |
| 5            | 2.0432.003.7    | 11 | stud bolt m 8 p.1.25 / p.1 x 20 |
| 6            | 2.1559.188.2    | 3  | bush 11.4 x 14 x16              |
| 7            | 2.1539.259.0    | 6  | special oil seal 107.62x2.62    |
| 8            | 2.1560.010.0    | 1  | gasket 14.2 x 20                |
| 9            | 2.3199.292.0    | 1  | plug 1/4" gas                   |
| 10           | 0.014.8700.4    | 1  | crankcase                       |
| 10.1         | 2.3130.001.1    | 9  | plug 1/8" gas                   |
| 10.2         | 2.3130.002.1    | 2  | plug 1/4" gas                   |
| 10.3         | 2.3130.003.1    | 2  | plug 3/8" gas                   |
| 10.4.1.2.1.1 | 0.065.1112.7/10 | 1  | support                         |
| 10.4.1.2.2   | 2.1699.165.0    | 1  | bush 12.3x15x16                 |
| 10.4.1.3     | 0.065.1114.0/10 | 2  | support                         |
| 10.4.1.4     | 0.065.1116.3    | 1  | support                         |
| 10.4.1.4.2   | 2.1699.165.0    | 1  | bush 12.3x15x16                 |
| 10.4.1.5     | 0.065.1117.0    | 8  | screw m 12 x 100                |
| 10.4.2       | 0.065.1140.0    | 3  | special bushing 59X55X20        |
| 10.4.3       | 0.065.1141.0    | 1  | special bushing 59X55X30        |
| 10.4.4       | 0.014.1340.0    | 1  | pin                             |
| 10.5         | 2.3179.012.0    | 1  | plug 60                         |
| 11           | 0.066.1152.0/10 | 4  | gasket                          |
| 14           | 2.1549.154.2    | 3  | bush 4.8x5.8x16                 |
| 28           | 2.3131.004.2    | 1  | plug m 18 p.1.5                 |

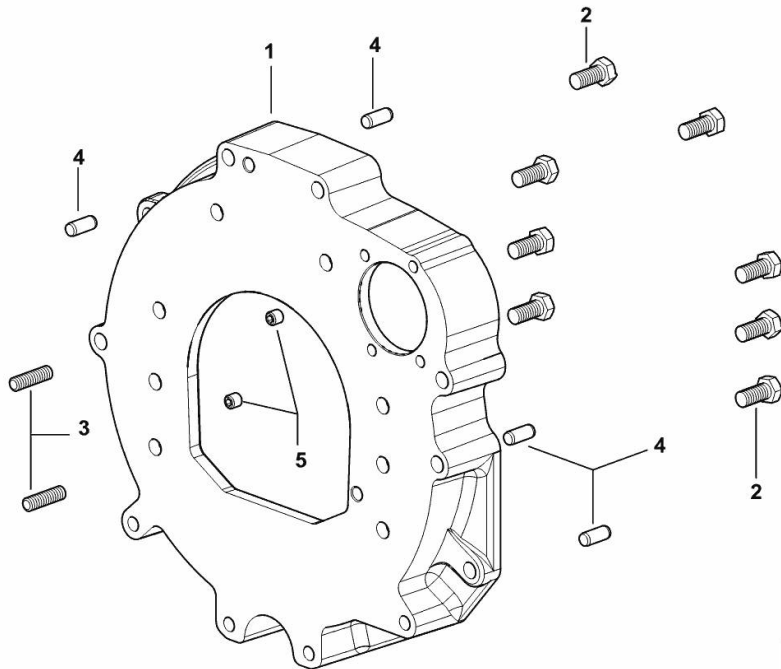
**MONOBLOC ENGINE-GEARBOX CONNECTING FLANGE**

| Fig. | P/n | QTY | Name |
|------|-----|-----|------|
|------|-----|-----|------|

**Notes:**

[SAME 55 2WD] [SAME 55 4WD]

|   |              |   |                               |
|---|--------------|---|-------------------------------|
| 1 | 0.015.8814.0 | 1 | flange                        |
| 2 | 2.0112.511.2 | 8 | screw m 14 p.2 x 30           |
| 3 | 2.0432.255.7 | 2 | stud bolt m 12 p.1.75-1.25x25 |
| 4 | 2.1651.912.0 | 4 | cylindrical plug 12x28        |
| 5 | 2.0512.404.7 | 2 | screw                         |



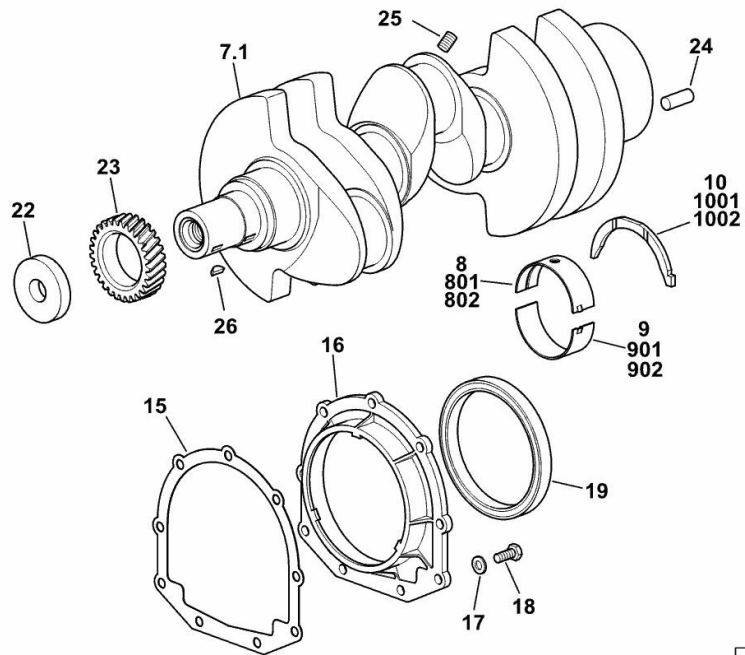
I9\_38511\_01\_0-A-001

**CRANKSHAFT**

| Fig. | P/n | QTY | Name |
|------|-----|-----|------|
|------|-----|-----|------|

**Notes:**

[SAME 55 2WD] 23085 &lt;- [SAME 55 4WD] 23085 &lt;-



|      |                 |   |                             |
|------|-----------------|---|-----------------------------|
| 7.1  | 0.007.1554.0/20 | 1 | crankshaft                  |
| 8    | 0.065.1215.0/10 | 4 | main half bushing STANDARD  |
| 9    | 0.065.1216.0/10 | 4 | main half bushing STANDARD  |
| 10   | 0.065.1218.0    | 4 | shim STANDARD               |
| 15   | 0.065.1254.0/20 | 1 | gasket                      |
| 16   | 0.007.1711.0/10 | 1 | cover                       |
| 17   | 2.1475.002.2    | 9 | conical washer 8            |
| 18   | 2.0112.207.2    | 9 | screw m 8 p 1.25 x 20       |
| 19   | 2.1529.073.0    | 1 | special oil seal 110x130x13 |
| 22   | 2.1599.524.7    | 1 | washer 21x60x12             |
| 23   | 0.065.1323.0/30 | 1 | gear Z = 29                 |
| 24   | 2.1651.915.0    | 1 | pin 12x35                   |
| 25   | 2.3130.001.1    | 3 | plug 1/8" gas               |
| 26   | 2.1720.006.0    | 1 | key 4x6.5                   |
| 801  | 0.065.1215.7    | 1 | main half bushing - mm 0.25 |
| 802  | 0.065.1215.8    | 1 | main half bushing - mm 0.50 |
| 901  | 0.065.1216.7    | 1 | main half bushing - mm 0.25 |
| 902  | 0.065.1216.8    | 1 | main half bushing - mm 0.50 |
| 1001 | 0.065.1218.7    | 1 | shim + mm 0.10              |
| 1002 | 0.065.1218.8    | 1 | shim + mm 0.15              |

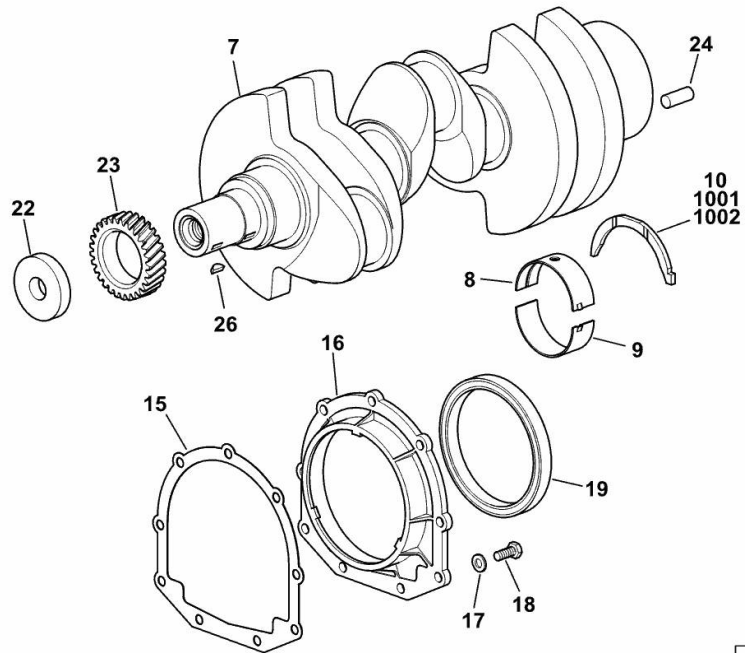
19\_N8112\_00\_0-A-001

**CRANKSHAFT**

| Fig. | P/n | QTY | Name |
|------|-----|-----|------|
|------|-----|-----|------|

**Notes:**

[SAME 55 2WD] -&gt; 23183 [SAME 55 4WD] -&gt; 23183



|      |                 |   |                             |
|------|-----------------|---|-----------------------------|
| 7    | 0.019.2255.0/20 | 1 | crankshaft                  |
| 8    | 0.019.5455.0    | 4 | main half bushing STANDARD  |
| 9    | 0.019.5456.0    | 4 | main half bushing STANDARD  |
| 10   | 0.065.1218.0    | 4 | shim STANDARD               |
| 15   | 0.065.1254.0/20 | 1 | gasket                      |
| 16   | 0.007.1711.0/10 | 1 | cover                       |
| 17   | 2.1475.002.2    | 9 | conical washer 8            |
| 18   | 2.0112.207.2    | 9 | screw m 8 p 1.25 x 20       |
| 19   | 2.1529.073.0    | 1 | special oil seal 110x130x13 |
| 22   | 2.1599.524.7    | 1 | washer 21x60x12             |
| 23   | 0.065.1323.0/30 | 1 | gear Z = 29                 |
| 24   | 2.1651.915.0    | 1 | pin 12x35                   |
| 26   | 2.1720.006.0    | 1 | key 4x6.5                   |
| 1001 | 0.065.1218.7    | 1 | shim + mm 0.10              |
| 1002 | 0.065.1218.8    | 1 | shim + mm 0.15              |

19\_N8112\_00\_0-A-002

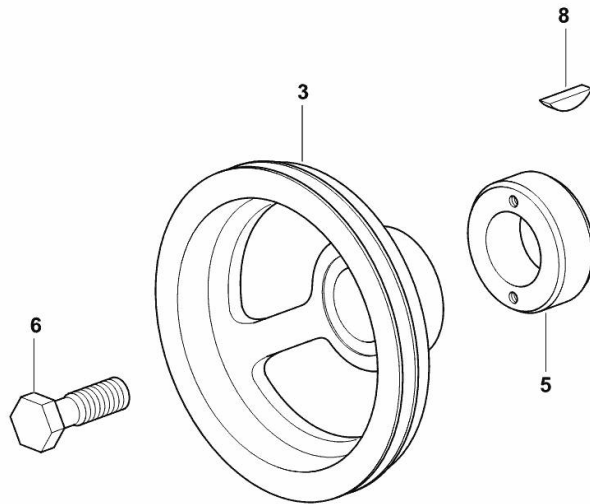
**CRANKSHAFT PULLEY**

| Fig. | P/n | QTY | Name |
|------|-----|-----|------|
|------|-----|-----|------|

**Notes:**

[SAME 55 2WD] [SAME 55 4WD]

|   |                 |   |                     |
|---|-----------------|---|---------------------|
| 3 | 0.014.5093.0    | 1 | pulley              |
| 5 | 0.085.1248.0/20 | 1 | hub                 |
| 6 | 2.0399.144.7/10 | 1 | screw m 20 p.1.5x51 |
| 8 | 2.1720.006.0    | 1 | key 4x6.5           |



19\_38512\_04\_0-A-001

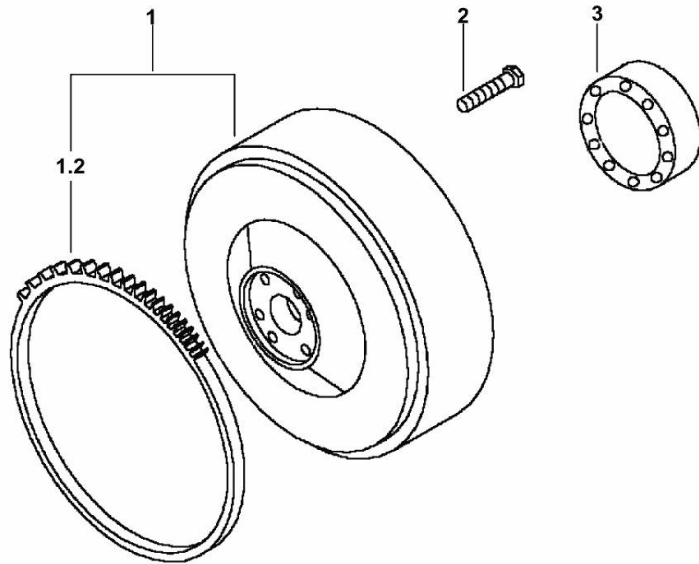
Section: B0 - ENGINE  
**ENGINE FLYWHEEL**

| Fig. | P/n | QTY | Name |
|------|-----|-----|------|
|------|-----|-----|------|

**Notes:**

[SAME 55 2WD]

|     |                 |   |                       |
|-----|-----------------|---|-----------------------|
| 1   | 0.012.0925.3    | 1 | flywheel              |
| 1.2 | 0.069.1242.0    | 1 | crown wheel Z = 121   |
| 2   | 2.0119.174.0/10 | 6 | screw m 12 p.1.25x45  |
| 3   | 2.2041.008.9    | 1 | ball bearing 20x47x14 |



19\_38512\_02\_0-A-001

Section: B0 - ENGINE

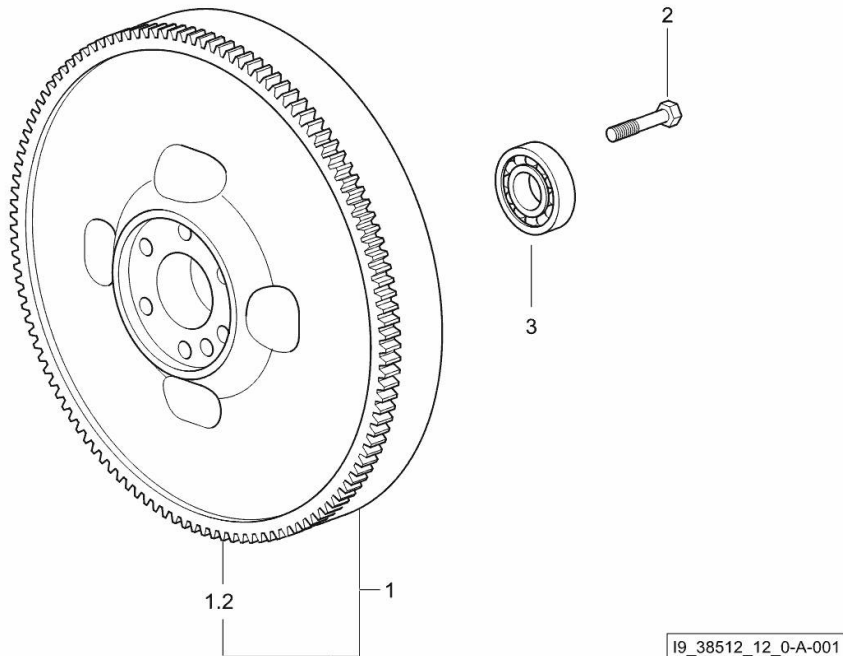
**ENGINE FLYWHEEL**

| Fig. | P/n | QTY | Name |
|------|-----|-----|------|
|------|-----|-----|------|

**Notes:**

[SAME 55 4WD] [SAME 55 2WD]

|     |                 |   |                       |
|-----|-----------------|---|-----------------------|
| 1   | 0.007.1617.3/30 | 1 | flywheel              |
| 1.2 | 0.069.1242.0    | 1 | crown wheel Z = 121   |
| 2   | 2.0119.174.0/10 | 6 | screw m 12 p.1.25x45  |
| 3   | 2.2041.008.9    | 1 | ball bearing 20x47x14 |



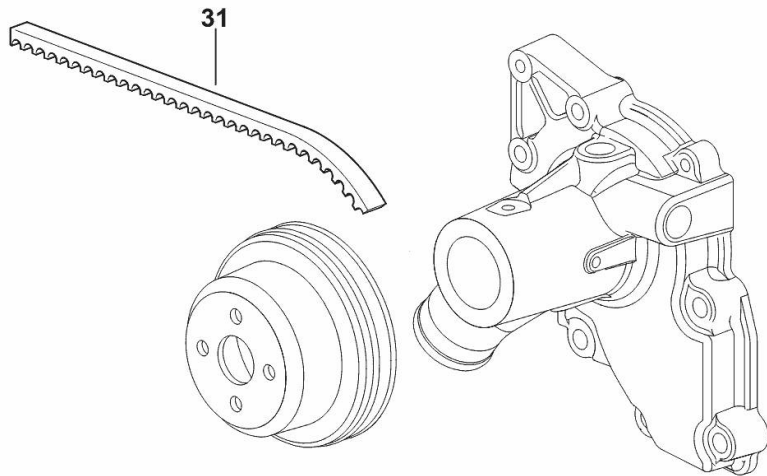
**COOLANT PUMP DRIVEBELT**

| Fig. | P/n | QTY | Name |
|------|-----|-----|------|
|------|-----|-----|------|

**Notes:**

[SAME 55 2WD] [SAME 55 4WD]

|    |              |   |                                      |
|----|--------------|---|--------------------------------------|
| 31 | 2.4119.198.0 | 1 | vee belt AV 10.7x1240 mm (-> 22366 ) |
|----|--------------|---|--------------------------------------|



19\_38519\_11\_0-B-001

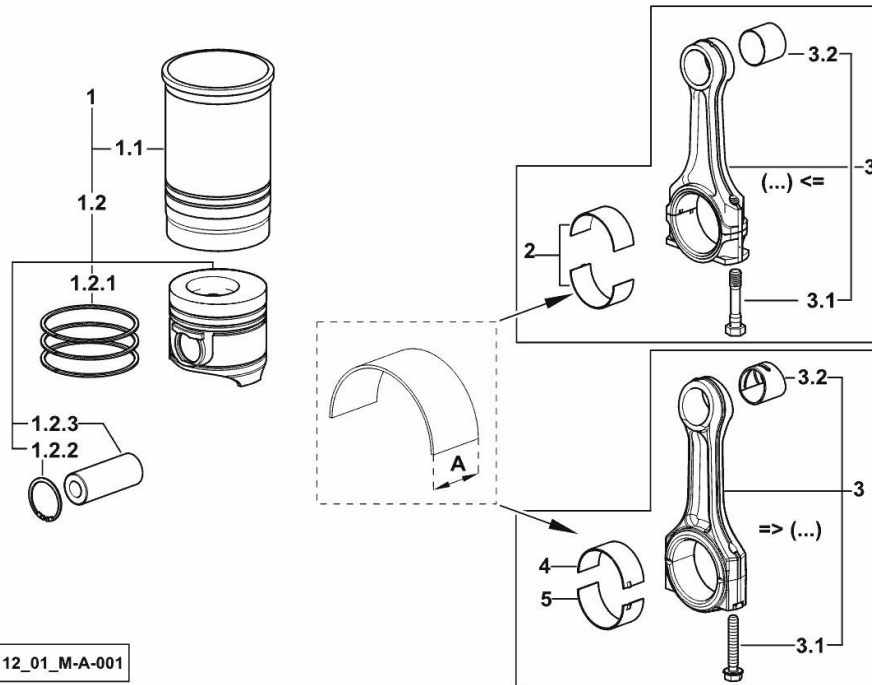


**CYLINDER - PISTON - CONNECTING ROD**

| Fig. | P/n | QTY | Name |
|------|-----|-----|------|
|------|-----|-----|------|

**Notes:**

[SAME 55 2WD] [SAME 55 4WD]



I9\_N8112\_01\_M-A-001

|       |                 |   |  |
|-------|-----------------|---|--|
| 1     | 0.386.0065.A    | 3 | cyl. piston assembly "A"<br>- CLASS A                          |
| 1     | 0.386.0065.B    | 3 | cyl. piston assembly "B"<br>- CLASS B                          |
| 1.1   | 0.A12.2675.0    | 1 | engine cylinder "A"<br>- CLASS A                               |
| 1.1   | 0.B12.2675.0    | 1 | engine cylinder "B"<br>- CLASS B                               |
| 1.2   | 0.379.0060.A    | 1 | complete piston "A"<br>- CLASS A                               |
| 1.2   | 0.379.0060.B    | 1 | complete piston "B"<br>- CLASS B                               |
| 1.2.1 | 0.086.0052.6/10 | 1 | piston ring set  |
| 1.2.2 | 2.1411.014.1    | 1 | circlip 35   |
| 1.2.3 | 0.078.1236.0    | 1 | piston pin Ø 18 / Ø 35 / L = mm 86                             |
| 2     | 0.065.1225.0    | 6 | con.rod half bushing STANDARD - A = 28.75 -> 29.00<br>(...) <= |
| 2     | 0.065.1225.7    | 6 | con.rod half bushing - mm 0.25<br>(...) <=                     |
| 2     | 0.065.1225.8    | 6 | con.rod half bushing - mm 0.50<br>(...) <=                     |
| 3     | 0.019.2226.3/10 | 1 | engine connecting rod<br>=> (...)                              |
| 3     | 0.078.1220.3/30 | 1 | engine connecting rod<br>(...) <=                              |
| 3.1   | 2.0399.213.0    | 2 | screw m 12 p.1.25x61.5<br>(...) <=                             |
| 3.1   | 2.0399.365.0    | 2 | screw m 10 p.1.25x61.5<br>=> (...)                             |
| 3.2   | 2.1559.114.0/10 | 1 | special bushing<br>(...) <=                                    |
| 3.2   | 2.1559.532.0    | 1 | special bushing 34.60x39.130x36.65<br>=> (...)                 |
| 4     | 0.019.5453.0    | 3 | con.rod half bushing STANDARD - A = 29.85 -> 30.10<br>=> (...) |
| 5     | 0.019.5454.0    | 3 | con.rod half bushing STANDARD - A = 29.85 -> 30.10<br>=> (...) |

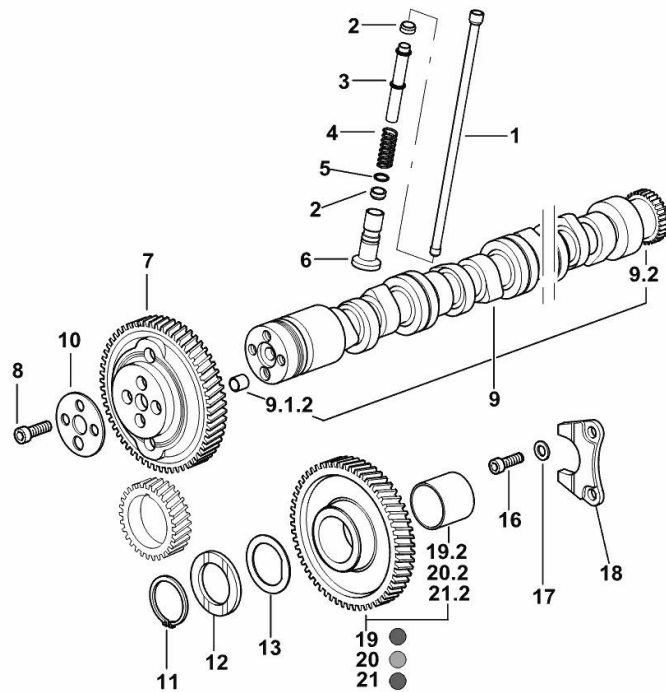
## Section: B0 - ENGINE

**CAMSHAFT**

| Fig. | P/n | QTY | Name |
|------|-----|-----|------|
|------|-----|-----|------|

**Notes:**

[SAME 55 2WD] [SAME 55 4WD]



19\_N8113\_00\_0-A-002

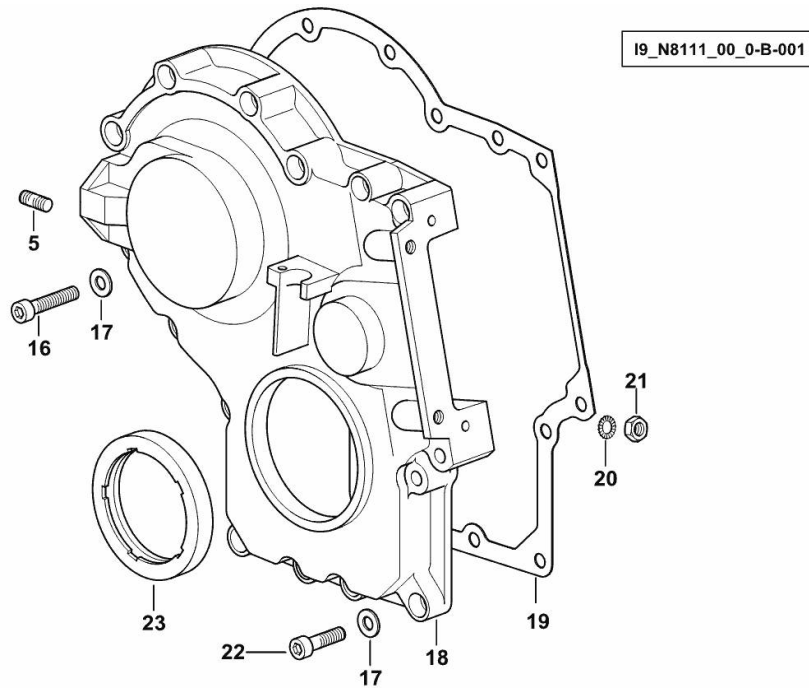
|       |                 |     |   |
|-------|-----------------|-----|---|
| 1     | 0.065.1331.2    | 6   | rod   |
| 2     | 2.1569.114.0/10 | 12  | gasket 14x18.5x8                                  |
| 3     | 0.065.1332.0    | 6   | sleeve  |
| 4     | 2.4019.300.1/10 | 6   | spring 18.5x52x2                                  |
| 5     | 2.1599.437.0    | 6   | shoulder ring                                     |
| 6     | 0.065.1330.0    | 6   | tappets   |
| 7     | 0.013.5017.0    | 1   | gear z=58   |
| 8     | 2.0132.207.2    | 4   | screw m 10 p.1 x 25                               |
| 9     | 0.012.8270.4    | 1   | camshaft  |
| 9.1.2 | 2.1559.398.0    | 1   | bushing 10.5x13x12                                |
| 9.2   | 0.065.1324.0/10 | 1   | gear Z = 32                                       |
| 10    | 0.065.1350.0    | 1   | small disc  |
| 11    | 2.1410.016.1    | 1   | circlip 40  |
| 12    | 0.065.1352.0    | 1   | shim  |
| 13    | 0.018.2233.0    | 2   | shoulder ring                                     |
| 16    | 2.0312.205.2    | 2   | screw   |
| 17    | 2.1480.014.1    | 2   | washer 8  |
| 18    | 0.065.1353.0    | 1   | small plate                                       |
| 19    | 0.007.1177.3/20 | 0.1 | gear z = 57<br>- WITH RED IDENTIFICATION STAMP    |
| 19.2  | 2.1559.185.0/10 | 1   | bushing   |
| 20    | 0.007.1178.3/20 | 0.1 | gear z = 57<br>- WITH YELLOW IDENTIFICATION STAMP |
| 20.2  | 2.1559.185.0/10 | 1   | bushing   |
| 21    | 0.007.1179.3/20 | 0.8 | gear z = 57<br>- WITH GREEN IDENTIFICATION STAMP  |
| 21.2  | 2.1559.185.0/10 | 1   | bushing   |

**TIMING CASE**

| Fig. | P/n | QTY | Name |
|------|-----|-----|------|
|------|-----|-----|------|

**Notes:**

[SAME 55 2WD] [SAME 55 4WD]



|    |                 |    |                                 |
|----|-----------------|----|---------------------------------|
| 5  | 2.0432.003.7    | 11 | stud bolt m 8 p.1.25 / p.1 x 20 |
| 16 | 2.0312.214.2    | 7  | screw m 8 p.1.25 x 40           |
| 17 | 2.1480.014.1    | 15 | washer 8                        |
| 18 | 0.013.4981.0    | 1  | guard                           |
| 19 | 0.065.1150.0/30 | 1  | gasket                          |
| 20 | 2.1470.004.2    | 2  | lock washer 8                   |
| 21 | 2.1011.405.2    | 2  | nut m 8 p.1                     |
| 22 | 2.0312.208.2    | 8  | screw m 8 p.1.25 x 25           |
| 23 | 2.1529.167.0    | 1  | oil seal                        |

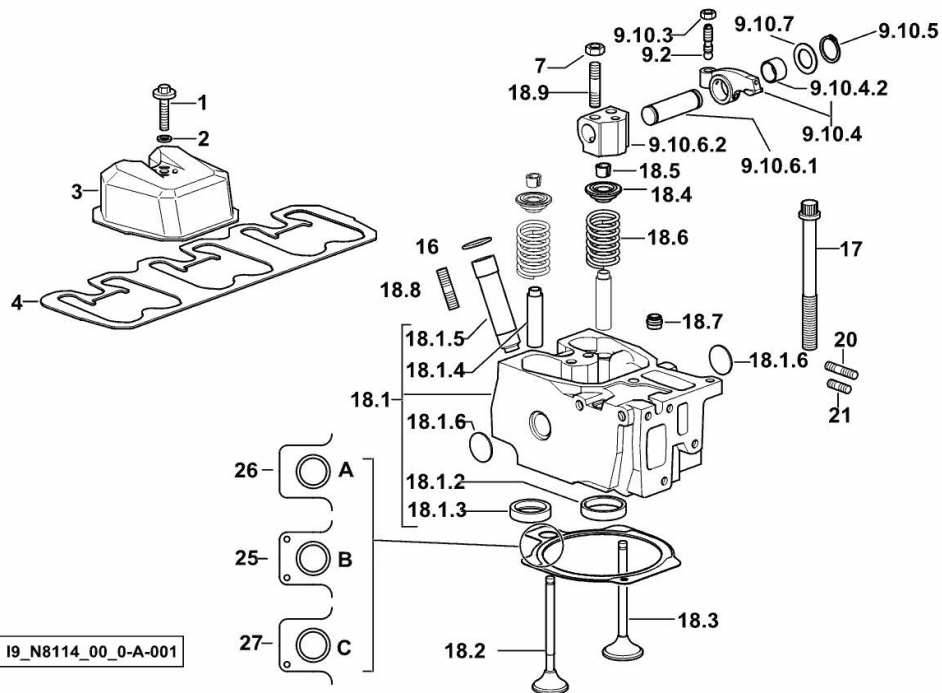
Section: B0 - ENGINE  
**CYLINDER HEAD**

| Fig. | P/n | QTY | Name |
|------|-----|-----|------|
|------|-----|-----|------|

**Notes:**

[SAME 55 2WD] [SAME 55 4WD]

|          |                 |     |                                    |
|----------|-----------------|-----|------------------------------------|
| 1        | 2.0399.130.2/10 | 3   | screw m 8x36x44                    |
| 2        | 2.1569.170.0/10 | 3   | gasket 8.2 x 14                    |
| 3        | 0.016.0291.0    | 3   | small cap                          |
| 4        | 0.069.1450.0/30 | 1   | tappet gasket                      |
| 7        | 2.1011.421.2    | 6   | nut m 10 p.1.25                    |
| 9.2      | 0.021.1434.0    | 2   | screw                              |
| 9.10.3   | 2.1011.405.2    | 2   | nut m 8 p.1                        |
| 9.10.4   | 0.066.1432.3    | 2   | rocker arm                         |
| 9.10.4.2 | 2.1559.021.0/40 | 1   | bushing 15x19x22                   |
| 9.10.5   | 2.1410.055.7    | 2   | circlip 19                         |
| 9.10.6.1 | 0.066.1431.0    | 1   | pin                                |
| 9.10.6.2 | 0.066.1430.0/10 | 1   | support                            |
| 9.10.7   | 2.1599.432.0    | 2   | shoulder ring                      |
| 16       | 2.1530.051.0    | 3   | oil seal 20.22x3.53                |
| 17       | 0.012.2673.0    | 12  | screw m 14 p.2x141                 |
| 18.1     | 0.014.8945.3/10 | 1   | head                               |
| 18.1.2   | 0.014.8942.0    | 1   | valve seat mm 45.118               |
| 18.1.3   | 0.014.8941.0    | 1   | valve seat mm 40.653               |
| 18.1.4   | 0.007.1779.0/20 | 2   | valve guide                        |
| 18.1.5   | 0.010.6041.0/10 | 1   | bush                               |
| 18.1.6   | 2.3170.012.2    | 2   | expansion plug Ø 30                |
| 18.2     | 0.066.1421.0    | 1   | exhaust valve                      |
| 18.3     | 0.010.6016.0    | 1   | inlet valve mm 43.63 / Ø mm 9      |
| 18.4     | 0.066.1425.0    | 2   | cup                                |
| 18.5     | 0.074.1423.0    | 4   | conical valve cotter               |
| 18.6     | 2.4019.287.0    | 2   | spring                             |
| 18.7     | 2.1519.117.0    | 2   | special oil seal                   |
| 18.8     | 2.0432.161.7    | 1   | stud bolt m 10 p.1.5 / p.1.25 x 40 |
| 18.9     | 2.0432.163.7    | 2   | stud bolt m 10 p.1.5 / p.1.25 x 45 |
| 20       | 2.0432.011.7    | 3   | stud bolt m 8 p.1.25 / p.1 x 40    |
| 21       | 2.0432.005.7    | 3   | stud bolt m 8 p.1.5 / p.1 x 25     |
| 25       | 0.014.5260.0/10 | 0.5 | gasket - A - mm 1.4                |
| 26       | 0.014.5259.0/10 | 2   | gasket - B - mm 1.2                |
| 27       | 0.014.5261.0/10 | 0.5 | gasket - C - mm 1.6                |



19\_N8114\_00\_0-A-001

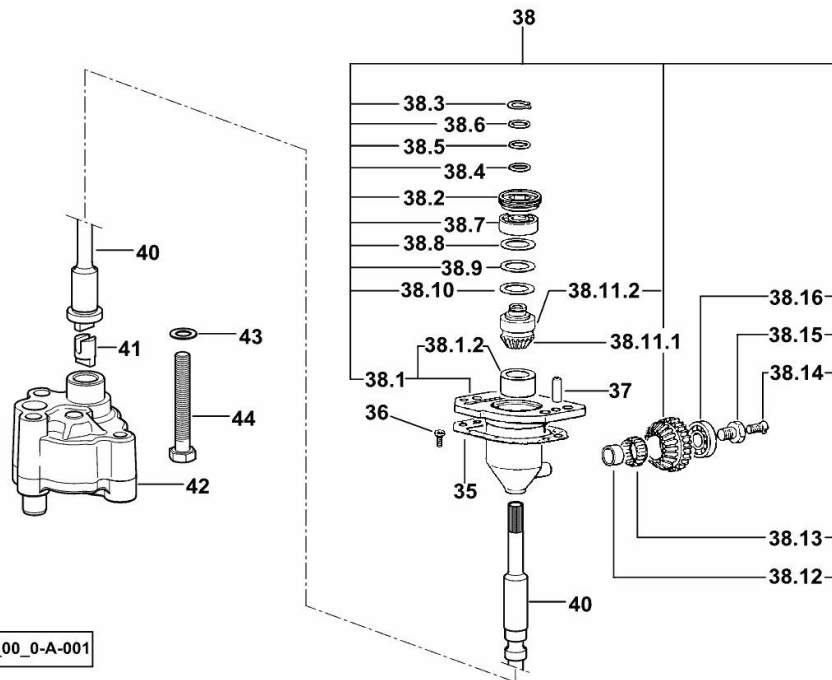
Section: B0 - ENGINE  
**ENGINE OIL PUMP**

| Fig. | P/n | QTY | Name |
|------|-----|-----|------|
|------|-----|-----|------|

**Notes:**

[SAME 55 2WD] [SAME 55 4WD]

|         |                 |   |                                  |
|---------|-----------------|---|----------------------------------|
| 35      | 0.065.1560.0/30 | 2 | gasket                           |
| 36      | 2.0169.005.2    | 2 | screw m 6 p.1 x 12               |
| 37      | 2.1652.711.0    | 2 | cylindrical plug 8x25            |
| 38      | 0.075.1551.4/30 | 1 | support                          |
| 38.1    | 0.075.1551.3/40 | 1 | support                          |
| 38.1.2  | 2.1559.186.0    | 1 | special bushing 26 x 31.5 x 35   |
| 38.2    | 2.1219.025.2/10 | 1 | ring nut m 36 p.1.5              |
| 38.3    | 2.1410.057.1    | 1 | circlip 15                       |
| 38.4    | 2.1589.153.0    | 1 | shoulder ring 15.2 x 19 x 1.00   |
| 38.5    | 2.1589.146.0    | 2 | shoulder ring 15.2 x 19 x 0.15   |
| 38.6    | 2.1589.147.0    | 2 | shoulder ring 15.2 x 19 x 0.10   |
| 38.7    | 2.2020.001.0    | 1 | ball bearing 15 x 32 x 8.00      |
| 38.8    | 2.1589.148.0    | 1 | shoulder ring 28.2 x 31.8 x 0.5  |
| 38.9    | 2.1589.150.0    | 2 | shoulder ring 28.2 x 31.8 x 0.1  |
| 38.10   | 2.1589.151.0    | 2 | shoulder ring 28.2 x 31.8 x 0.15 |
| 38.11.1 | 0.065.1558.6/10 | 1 | bevel drive                      |
| 38.11.2 | 0.065.1559.0    | 1 | bush                             |
| 38.12   | 2.2680.020.0    | 1 | ring 12 x 15 x 12                |
| 38.13   | 2.2725.016.0    | 1 | roller cage 15 x 21 x 12         |
| 38.14   | 2.0342.007.2    | 1 | screw m 4 p.0.7x25               |
| 38.15   | 2.0399.128.2/10 | 1 | screw m 8 p.1 x 8                |
| 38.16   | 2.2030.002.0    | 1 | ball bearing 12 x 28 x 8         |
| 40      | 0.065.1569.0/40 | 1 | shaft                            |
| 41      | 0.065.1562.0/10 | 1 | joint                            |
| 42      | 0.014.7994.4    | 1 | oil pump                         |
| 43      | 2.1470.006.2    | 2 | lock washer 10                   |
| 44      | 2.0112.323.2    | 2 | screw m 10 p.1.5x70              |



19\_38515\_00\_0-A-001

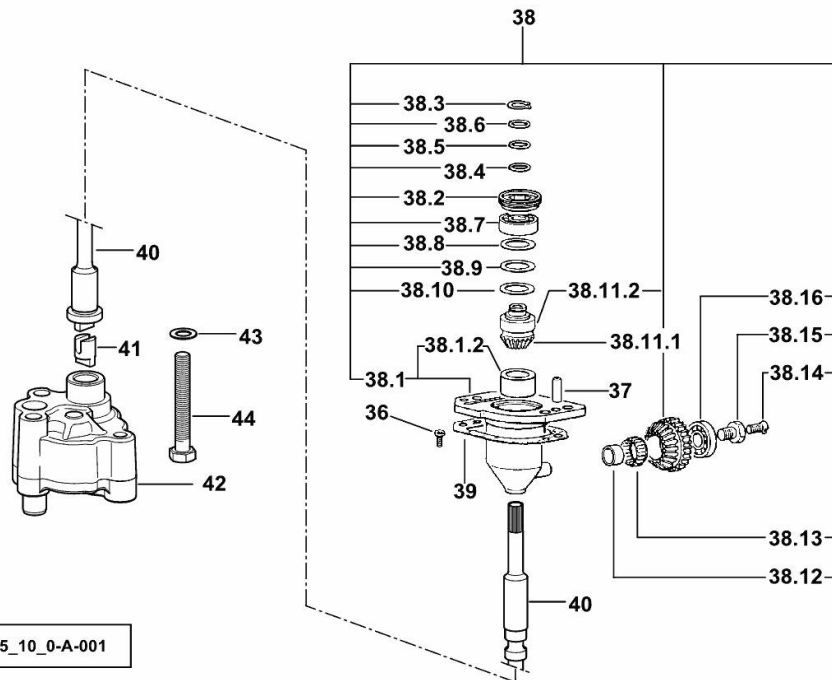
Section: B0 - ENGINE  
**ENGINE OIL PUMP**

| Fig. | P/n | QTY | Name |
|------|-----|-----|------|
|------|-----|-----|------|

**Notes:**

[SAME 55 2WD]

|         |                 |   |                                  |
|---------|-----------------|---|----------------------------------|
| 36      | 2.0169.005.2    | 2 | screw m 6 p.1 x 12               |
| 37      | 2.1652.711.0    | 2 | cylindrical plug 8x25            |
| 38      | 0.075.1551.4/30 | 1 | support                          |
| 38.1    | 0.075.1551.3/40 | 1 | support                          |
| 38.1.2  | 2.1559.186.0    | 1 | special bushing 26 x 31.5 x 35   |
| 38.2    | 2.1219.025.2/10 | 1 | ring nut m 36 p.1.5              |
| 38.3    | 2.1410.057.1    | 1 | circlip 15                       |
| 38.4    | 2.1589.153.0    | 1 | shoulder ring 15.2 x 19 x 1.00   |
| 38.5    | 2.1589.146.0    | 2 | shoulder ring 15.2 x 19 x 0.15   |
| 38.6    | 2.1589.147.0    | 2 | shoulder ring 15.2 x 19 x 0.10   |
| 38.7    | 2.2020.001.0    | 1 | ball bearing 15 x 32 x 8.00      |
| 38.8    | 2.1589.148.0    | 1 | shoulder ring 28.2 x 31.8 x 0.5  |
| 38.9    | 2.1589.150.0    | 2 | shoulder ring 28.2 x 31.8 x 0.1  |
| 38.10   | 2.1589.151.0    | 2 | shoulder ring 28.2 x 31.8 x 0.15 |
| 38.11.1 | 0.065.1558.6/10 | 1 | bevel drive                      |
| 38.11.2 | 0.065.1559.0    | 1 | bush                             |
| 38.12   | 2.2680.020.0    | 1 | ring 12 x 15 x 12                |
| 38.13   | 2.2725.016.0    | 1 | roller cage 15 x 21 x 12         |
| 38.14   | 2.0342.007.2    | 1 | screw m 4 p.0.7x25               |
| 38.15   | 2.0399.128.2/10 | 1 | screw m 8 p.1 x 8                |
| 38.16   | 2.2030.002.0    | 1 | ball bearing 12 x 28 x 8         |
| 39      | 0.065.1560.0/30 | 2 | gasket                           |
| 40      | 0.065.1569.0/40 | 1 | shaft                            |
| 41      | 0.065.1562.0/10 | 1 | joint                            |
| 42      | 0.014.7994.4    | 1 | oil pump                         |
| 43      | 2.1470.006.2    | 2 | lock washer 10                   |
| 44      | 2.0112.323.2    | 2 | screw m 10 p.1.5x70              |



19\_38515\_10\_0-A-001

**LUBRICATION**

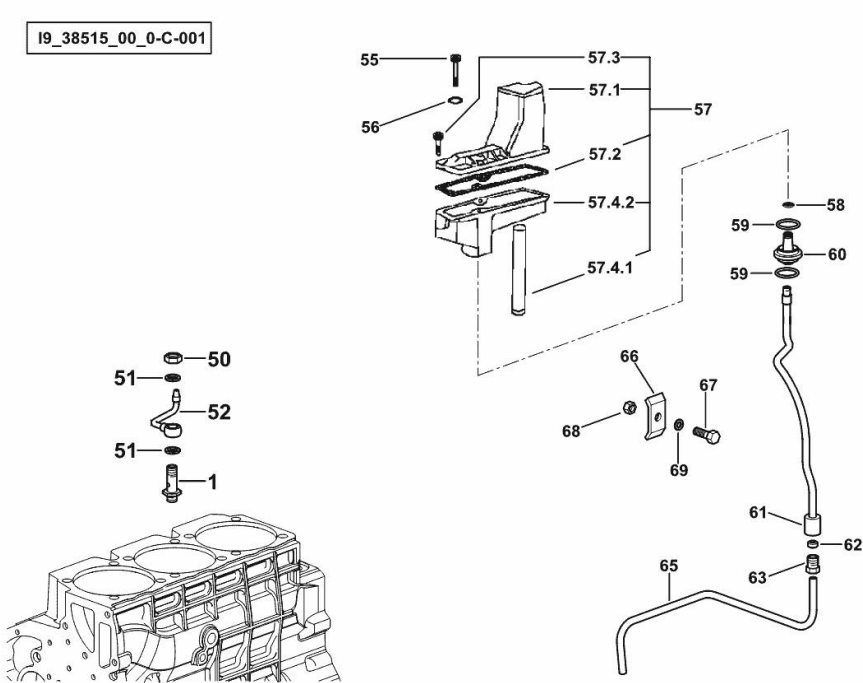
| Fig. | P/n | QTY | Name |
|------|-----|-----|------|
|------|-----|-----|------|

**Notes:**

[SAME 55 2WD] [SAME 55 4WD]

|        |                 |    |                               |
|--------|-----------------|----|-------------------------------|
| 1      | 0.065.1160.3/20 | 3  | valve                         |
| 50     | 2.1099.108.2    | 3  | special nut m 10 p.1          |
| 51     | 2.1560.006.0    | 12 | gasket 10.2 x 16              |
| 52     | 0.086.1550.2    | 3  | sprayer nozzle                |
| 55     | 2.0312.221.2    | 2  | screw m 8 p.1.25x75           |
| 56     | 2.1480.014.1    | 2  | washer 8                      |
| 57     | 0.012.0688.4    | 1  | sediment bowl                 |
| 57.1   | 0.066.1553.0    | 1  | cover                         |
| 57.2   | 0.066.1554.0/20 | 1  | gasket                        |
| 57.3   | 2.0399.304.2    | 4  | screw m 4 x 10                |
| 57.4.1 | 0.066.1555.0    | 1  | tube                          |
| 57.4.2 | 0.012.0688.0    | 1  | small tank                    |
| 58     | 2.1532.012.0    | 1  | oil seal 6.75 x 1.78          |
| 59     | 2.1539.072.0    | 2  | special oil seal 23.52 x 1.78 |
| 60     | 0.066.1558.0    | 1  | bush                          |
| 61     | 0.066.1557.2    | 1  | tube                          |
| 62     | 2.3350.003.1    | 1  | nosepiece 8                   |
| 63     | 2.3339.418.1    | 1  | pipe fitting m 12 p.1         |
| 65     | 0.007.1427.0    | 1  | tube                          |
| 66     | 0.002.8816.0    | 1  | small plate                   |
| 67     | 2.0112.007.2    | 1  | screw m 6 p.1 x 20            |
| 68     | 2.1011.103.2    | 1  | nut m 6 p.1                   |
| 69     | 2.1470.002.2    | 1  | lock washer 6                 |

I9\_38515\_00\_0-C-001



Section: B0 - ENGINE

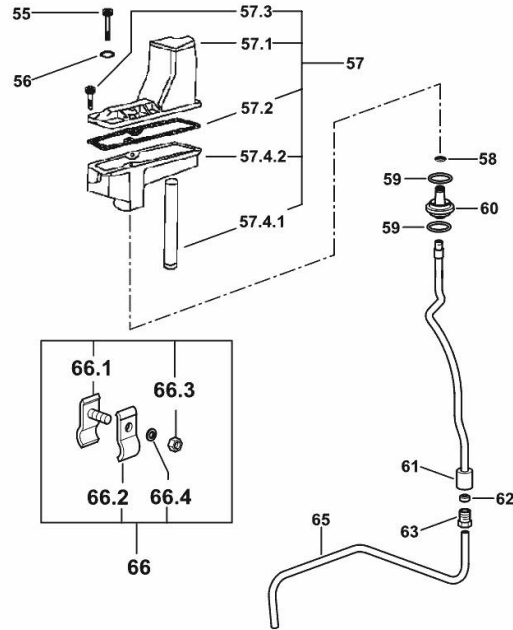
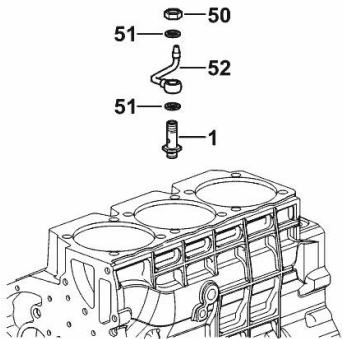
**LUBRICATION**

| Fig. | P/n | QTY | Name |
|------|-----|-----|------|
|------|-----|-----|------|

Notes:  
[SAME 55 2WD]

|        |                 |    |                               |
|--------|-----------------|----|-------------------------------|
| 1      | 0.065.1160.3/20 | 3  | valve                         |
| 50     | 2.1099.108.2    | 3  | special nut m 10 p.1          |
| 51     | 2.1560.006.0    | 12 | gasket 10.2 x 16              |
| 52     | 0.086.1550.2    | 3  | sprayer nozzle                |
| 55     | 2.0312.221.2    | 2  | screw m 8 p.1.25x75           |
| 56     | 2.1480.014.1    | 2  | washer 8                      |
| 57     | 0.012.0688.4    | 1  | sediment bowl                 |
| 57.1   | 0.066.1553.0    | 1  | cover                         |
| 57.2   | 0.066.1554.0/20 | 1  | gasket                        |
| 57.3   | 2.0399.304.2    | 4  | screw m 4 x 10                |
| 57.4.1 | 0.066.1555.0    | 1  | tube                          |
| 57.4.2 | 0.012.0688.0    | 1  | small tank                    |
| 58     | 2.1532.012.0    | 1  | oil seal 6.75 x 1.78          |
| 59     | 2.1539.072.0    | 2  | special oil seal 23.52 x 1.78 |
| 60     | 0.066.1558.0    | 1  | bush                          |
| 61     | 0.066.1557.2    | 1  | tube                          |
| 62     | 2.3350.003.1    | 1  | nosepiece 8                   |
| 63     | 2.3339.418.1    | 1  | pipe fitting m 12 p.1         |
| 65     | 0.069.1550.0    | 1  | tube                          |
| 66     | 0.075.1552.4    | 1  | bracket                       |
| 66.1   | 0.075.1552.0    | 1  | bracket                       |
| 66.2   | 0.075.1552.2    | 1  | bracket                       |
| 66.3   | 2.1011.103.2    | 1  | nut m 6 p.1                   |
| 66.4   | 2.1470.002.2    | 1  | lock washer 6                 |

I9\_38515\_10\_0-C-001



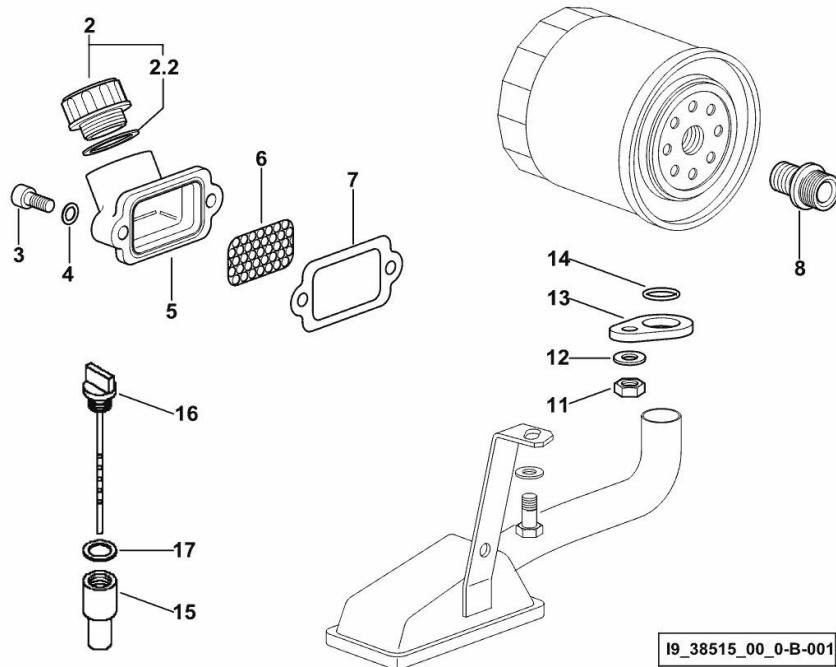


**LUBRICATION**

| Fig. | P/n | QTY | Name |
|------|-----|-----|------|
|------|-----|-----|------|

**Notes:**

[SAME 55 2WD] [SAME 55 4WD]



|     |                 |   |                               |
|-----|-----------------|---|-------------------------------|
| 2   | 0.041.1135.4    | 1 | plug 1" gas                   |
| 2.2 | 2.1569.072.0    | 1 | gasket 32 x 39.5 x 2          |
| 3   | 2.0312.205.2    | 2 | screw                         |
| 4   | 2.1480.014.1    | 2 | washer 8                      |
| 5   | 0.012.0613.0    | 1 | pipe union                    |
| 6   | 0.065.1567.0/10 | 1 | filter                        |
| 7   | 0.065.1566.0    | 1 | gasket                        |
| 8   | 2.3339.307.0    | 1 | pipe fitting m 22 p.1.5-3/4"  |
| 11  | 2.1011.105.2    | 1 | nut m 8 p.1.25                |
| 12  | 2.1470.004.2    | 1 | lock washer 8                 |
| 13  | 0.065.1538.0    | 1 | flange                        |
| 14  | 2.1539.040.0    | 1 | special oil seal 21.82 x 3.53 |
| 15  | 0.012.0684.0    | 1 | none                          |
| 16  | 0.012.0682.2    | 1 | dipstick                      |
| 17  | 2.1539.065.0    | 1 | special oil seal 8.73 x 1.78  |

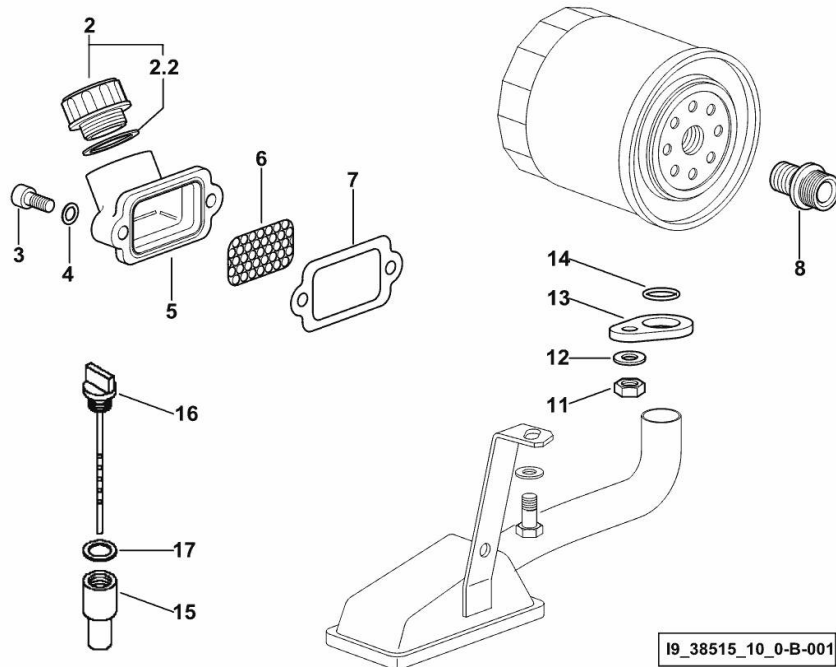
I9\_38515\_00\_0-B-001

**LUBRICATION**

| Fig. | P/n | QTY | Name |
|------|-----|-----|------|
|------|-----|-----|------|

**Notes:**

[SAME 55 2WD]



I9\_38515\_10\_0-B-001

|     |                 |   |                               |
|-----|-----------------|---|-------------------------------|
| 2   | 0.041.1135.4    | 1 | plug 1" gas                   |
| 2.2 | 2.1569.072.0    | 1 | gasket 32 x 39.5 x 2          |
| 3   | 2.0312.205.2    | 2 | screw                         |
| 4   | 2.1480.014.1    | 2 | washer 8                      |
| 5   | 0.012.0613.0    | 1 | pipe union                    |
| 6   | 0.065.1567.0/10 | 1 | filter                        |
| 7   | 0.065.1566.0    | 1 | gasket                        |
| 8   | 2.3339.307.0    | 1 | pipe fitting m 22 p.1.5-3/4"  |
| 11  | 2.1011.105.2    | 1 | nut m 8 p.1.25                |
| 12  | 2.1470.004.2    | 1 | lock washer 8                 |
| 13  | 0.065.1538.0    | 1 | flange                        |
| 14  | 2.1539.040.0    | 1 | special oil seal 21.82 x 3.53 |
| 15  | 0.012.0684.0    | 1 | none                          |
| 16  | 0.012.0682.2    | 1 | dipstick                      |
| 17  | 2.1539.065.0    | 1 | special oil seal 8.73 x 1.78  |

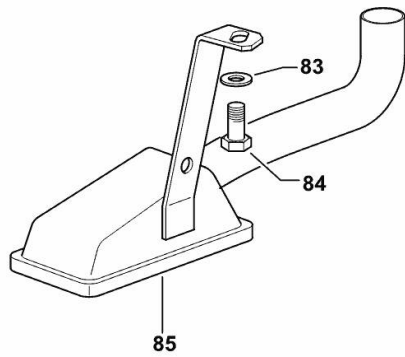
**LUBRICANT OIL SUCTION PIPE**

| Fig. | P/n | QTY | Name |
|------|-----|-----|------|
|------|-----|-----|------|

**Notes:**

[SAME 55 2WD] [SAME 55 4WD]

|    |                 |   |                       |
|----|-----------------|---|-----------------------|
| 83 | 2.1470.004.2    | 1 | lock washer 8         |
| 84 | 2.0112.205.2    | 1 | screw m 8 p.1.25 x 16 |
| 85 | 0.007.1425.3/10 | 1 | tube                  |



19\_38515\_06\_0-A-001

**LUBRICANT OIL SUCTION PIPE**

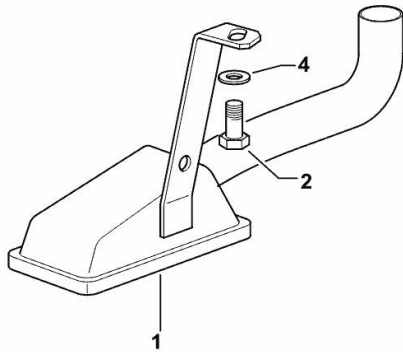
| Fig. | P/n | QTY | Name |
|------|-----|-----|------|
|------|-----|-----|------|

**Notes:**

[SAME 55 2WD]

|   |                 |   |                       |
|---|-----------------|---|-----------------------|
| 1 | 0.070.1531.3/10 | 1 | tube                  |
| 2 | 2.0112.205.2    | 1 | screw m 8 p.1.25 x 16 |
| 4 | 2.1470.004.2    | 1 | lock washer 8         |

I9\_38515\_08\_0-A-001



Thank you so much for reading.  
Please click the “Buy Now!”  
button below to download the  
complete manual.



After you pay.

You can download the most  
perfect and complete manual in  
the world immediately.

Our support email:

[ebooklibonline@outlook.com](mailto:ebooklibonline@outlook.com)