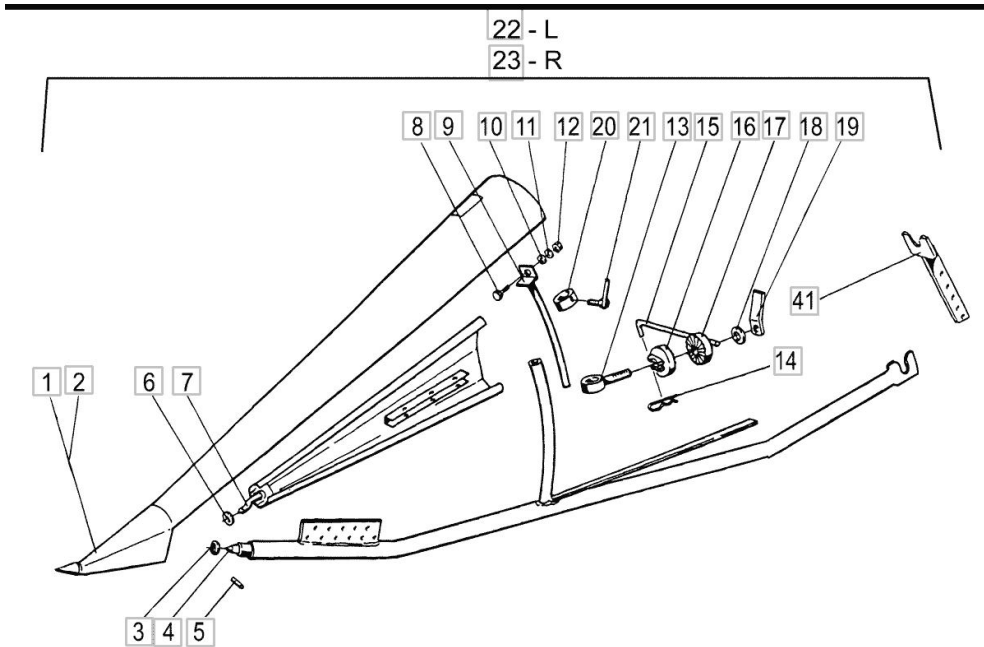


ADJ. DIVIDER

Fig.	P/n	QTY	Name
------	-----	-----	------

Notes:
[5585HT]

1	R625236	1	cover
2	R625237	1	cover
3	R618931	2	shock absorber
4	R698832	2	tube
5	7814198	2	pin
6	R619014	4	shock absorber
7	R618954	2	rod
8	6226167	2	screw
9	R618960	2	rod
10	7400033	2	washer
11	7414471	2	washer
12	6506434	4	nut
13	R615795	2	screw
14	7812410	2	pin
15	R082536	2	adjustable tensioner
16	R616697	2	adjustable tensioner
17	R082544	2	adjustable tensioner
18	7414062	2	washer
19	R595936	4	nut
20	R596036	2	ring
21	R596034	2	screw
22	R698830	1	separator
23	R698831	1	separator
41	R588385	2	plate



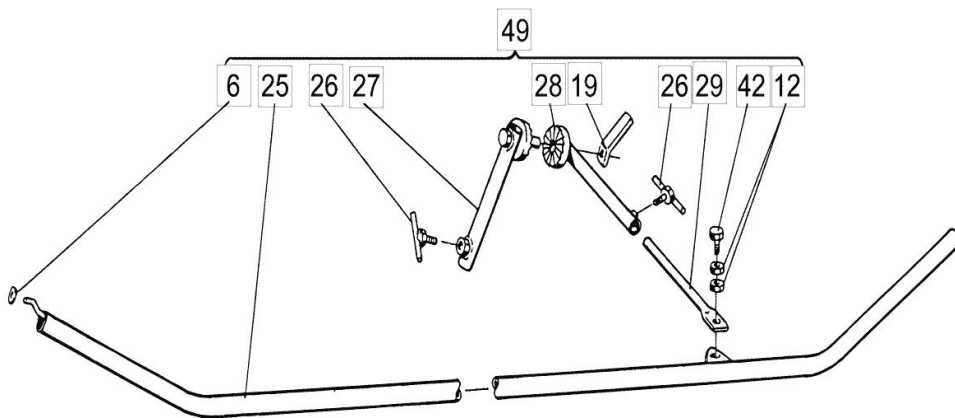
SIDETUBE

Fig.	P/n	QTY	Name
------	-----	-----	------

Notes:

[5585HT]

6	R619014	2	shock absorber
12	6506434	4	nut
19	R595936	4	nut
25	R618963	1	tube
26	R596035	4	screw
27	R595864	2	support
28	R595865	2	tube
29	R082550	2	adjustable tensioner
42	6226977	2	screw
49	R643603	1	adjustable tensioner

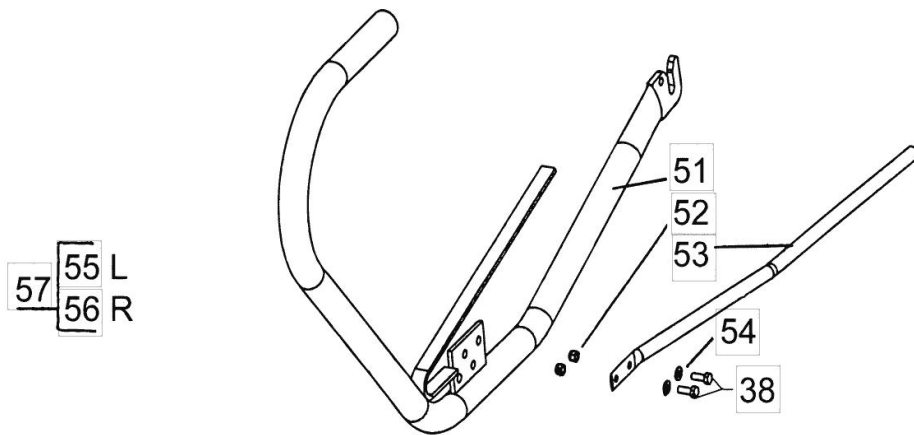


BOW DIVIDER

Fig.	P/n	QTY	Name
------	-----	-----	------

Notes:
[5585HT]

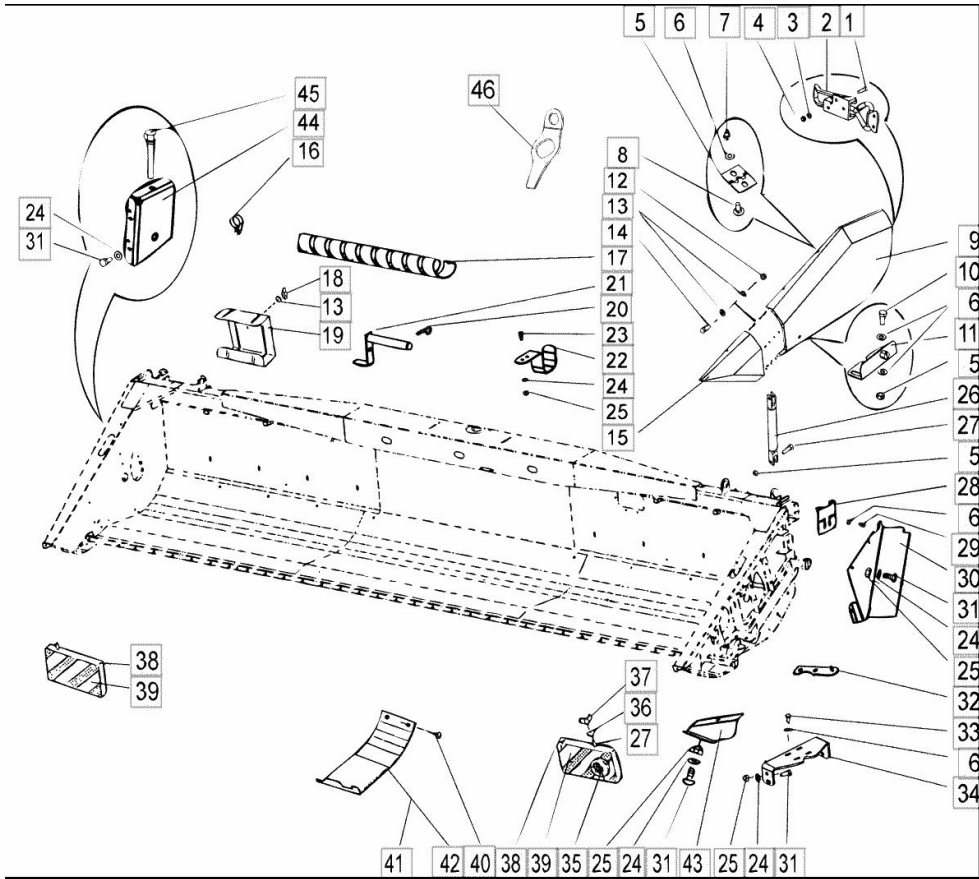
38	6221267	2	screw
51	R698840	1	tube
52	6594048	2	nut
53	R683151	1	tube
54	7400032	2	washer
55	R698841	1	tube
56	R698842	1	tube
57	R698850	1	tube - KIT



CUTTING TABLE'S COMMON PARTS

Fig.	P/n	QTY	Name
------	-----	-----	------

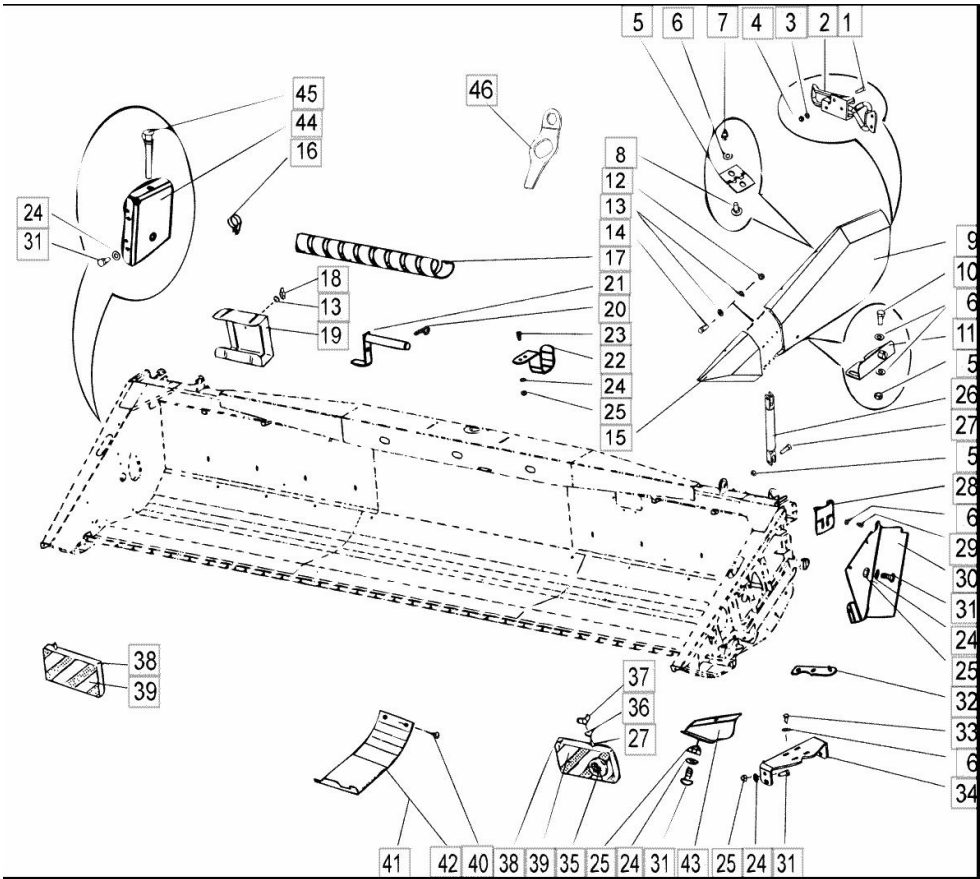
Notes:
[5585HT]



1	6066814	3	screw
2	0871049	1	handle
3	7400029	3	washer
4	6593738	3	nut
5	0451350	1	hinge
6	7400032	14	washer
7	6594038	4	nut
8	6758344	4	screw
9	R699358	1	guard
10	6221267	2	screw
11	0450459	1	lock
12	6593838	3	nut
13	7400030	8	washer
14	6211067	3	screw
15	R699357	1	guard
16	0629098		clamp
17	R700500		guard
18	6598504	2	wing nut
19	R687106	1	support
20	7812420	4	pin
21	R697439	4	pin
22	R699532	1	support
23	6226977	2	screw
24	7400033	10	washer
25	6594148	6	nut
26	0400526	1	shock absorber
27	6221467	2	screw
28	R698760	2	cover
29	6221260	4	screw
30	R697711	1	guard
31	6226367	4	screw
32	R698699	1	pieces
33	6220486	4	screw
34	R699604	1	support
35	8020236	2	reflector
36	6506234	2	nut
37	6598704	2	nut
38	R691390	2	guard
39	0812714	2	plate
40	7268607	4	block
41	R689393	1	plate

CUTTING TABLE'S COMMON PARTS

Fig.	P/n	QTY	Name
42	R689394	1	plate
43	R697710	1	guard
44	R697443	1	plate dx/rh/re
45	R697446	1	screw
46	R699482	1	workshop tool



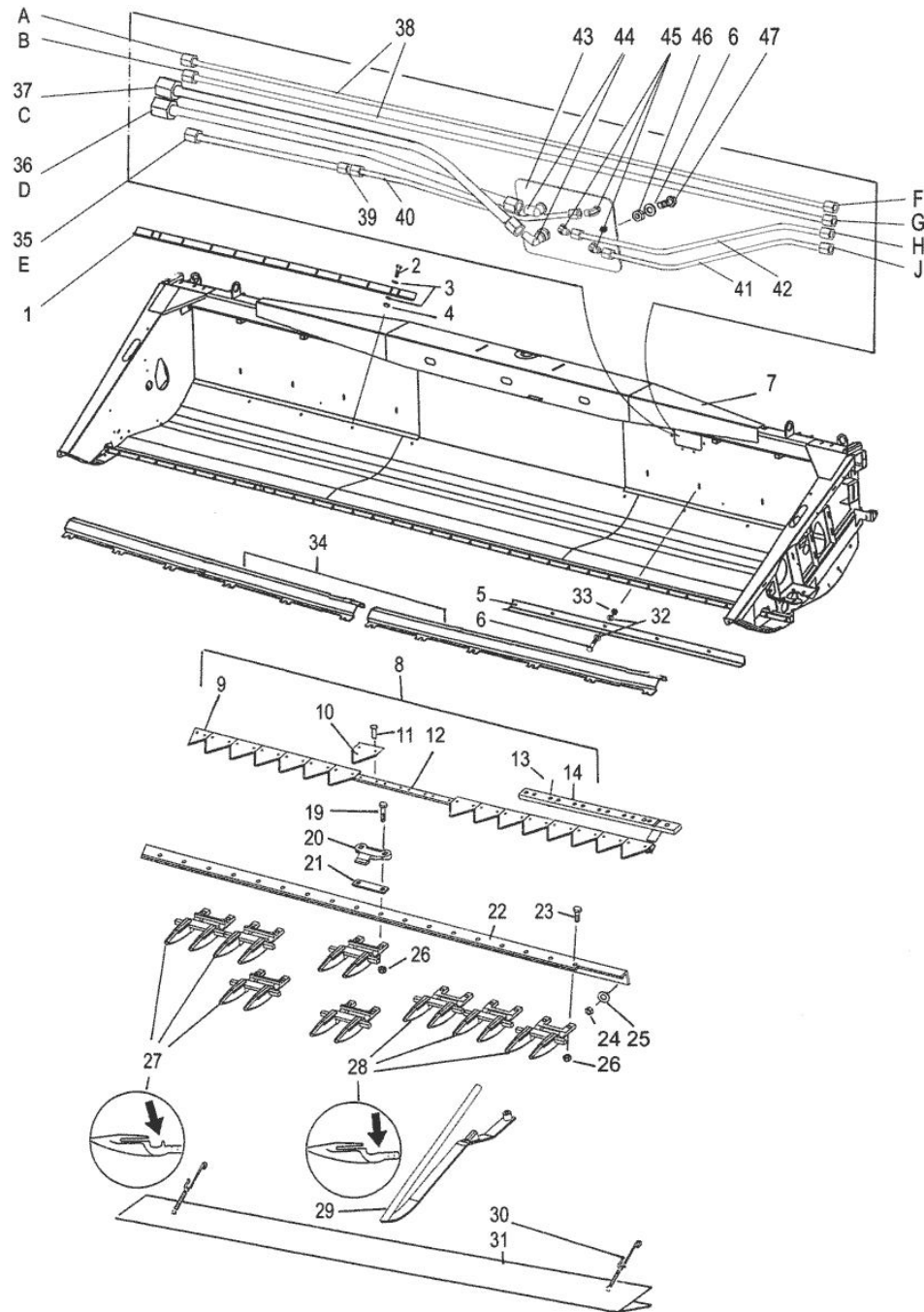
TROUGH 4,2 M

Fig.	P/n	QTY	Name
Notes:			
[5585HT]			
1	R698802	2	rail
2	6225767	8	screw
3	7400033	32	washer
4	6594148	8	nut
5	R698801	2	rail
6	6221267	8	screw
7	R698795	1	small tank
8	R698225	1	blade
9	0498828	1	knife blade
10	0498821	1	knife blade
11	7614218		rivet
12	R678291	1	blade holder
13	7615040	11	rivet
14	R696848	1	support
19	6227197		screw
20	0498840		interlock
21	R632966		small plate
22	R673236	1	finger bar
23	6226587		screw
24	6506434		nut
25	7414471		washer
26	6594148		nut
27	0498838		double finger
28	R638710	3	double finger
29	R620041		earlifter
30	R671443	2	spring
31	R685484	1	guard
32	7400032	22	washer
33	6506234	8	nut
34	R695360	1	guard
35	R699678	1	tube
36	R699660	1	tube
37	R699659	1	tube
38	R699680	2	tube
39	0629395	1	pipe fitting
40	R699661	1	tube
41	R699681	1	tube
42	R699679	1	tube
43	R699099	1	plate
44	0493761	2	pipe fitting
45	0493760	3	pipe fitting

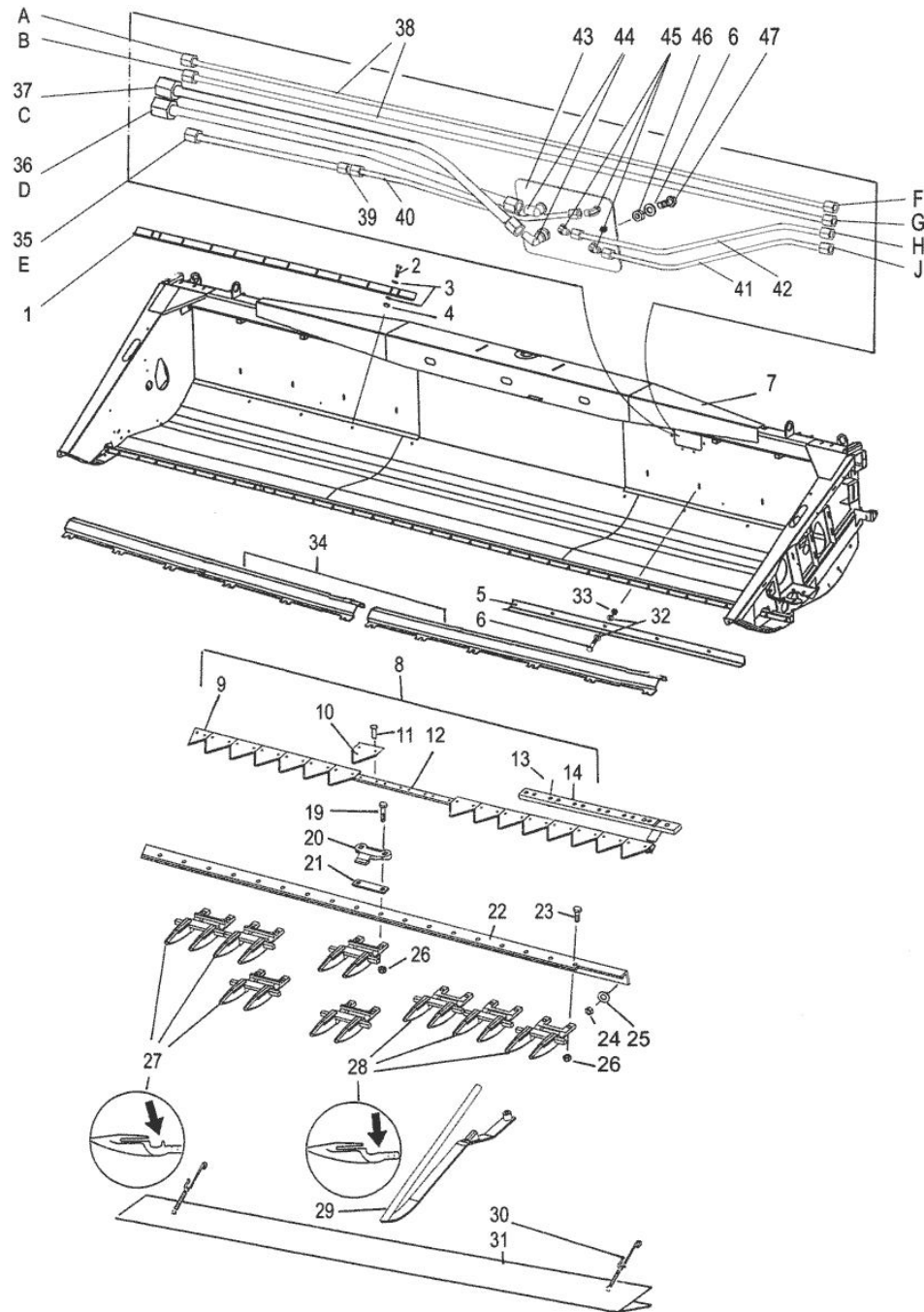
TROUGH 4,2 M

Fig.	P/n	QTY	Name
46	6594038	6	nut
47	6221260	6	screw

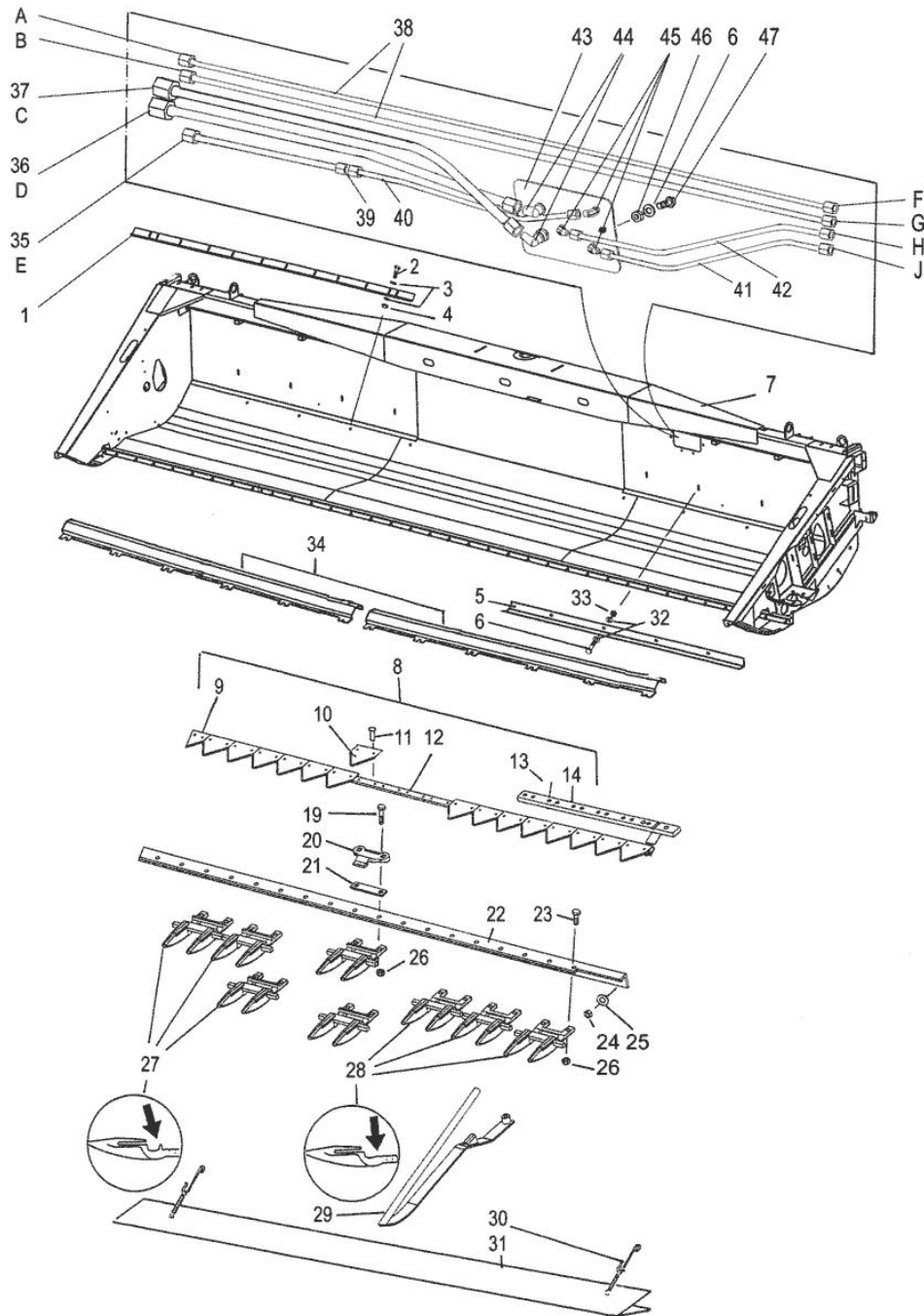
TROUGH 4,5 M

Fig.	P/n	QTY	Name
Notes:			
[5585HT]			
1	R698789	2	rail
2	6225767	8	screw
3	7400033	32	washer
4	6594148	8	nut
5	R698788	2	rail
6	6221267	8	screw
7	R698782	1	small tank
8	R698226	1	blade
9	0498828	1	knife blade
10	0498821	1	knife blade
11	7614218		rivet
12	R692479	1	blade holder
13	7615040	11	rivet
14	R696848	1	support
19	6227197		screw
20	0498840		interlock
21	R632966		small plate
22	R692461	1	finger bar
23	6226587		screw
24	6506434		nut
25	7414471		washer
26	6594148		nut
27	0498838		double finger
28	R638710	3	double finger
29	R620041		earlifter
30	R671443	2	spring
31	R692550	1	guard
32	7400032	16	washer
33	6506234	8	nut
34	R695357	1	guard
35	R699674	1	tube
36	R699658	1	tube
37	R699657	1	tube
38	R699676	2	tube
39	0629395	1	pipe fitting
40	R699661	1	tube
41	R699677	1	tube
42	R699675	1	tube
43	R699099	1	plate
44	0493761	2	pipe fitting
45	0493760	3	pipe fitting

TROUGH 4,5 M

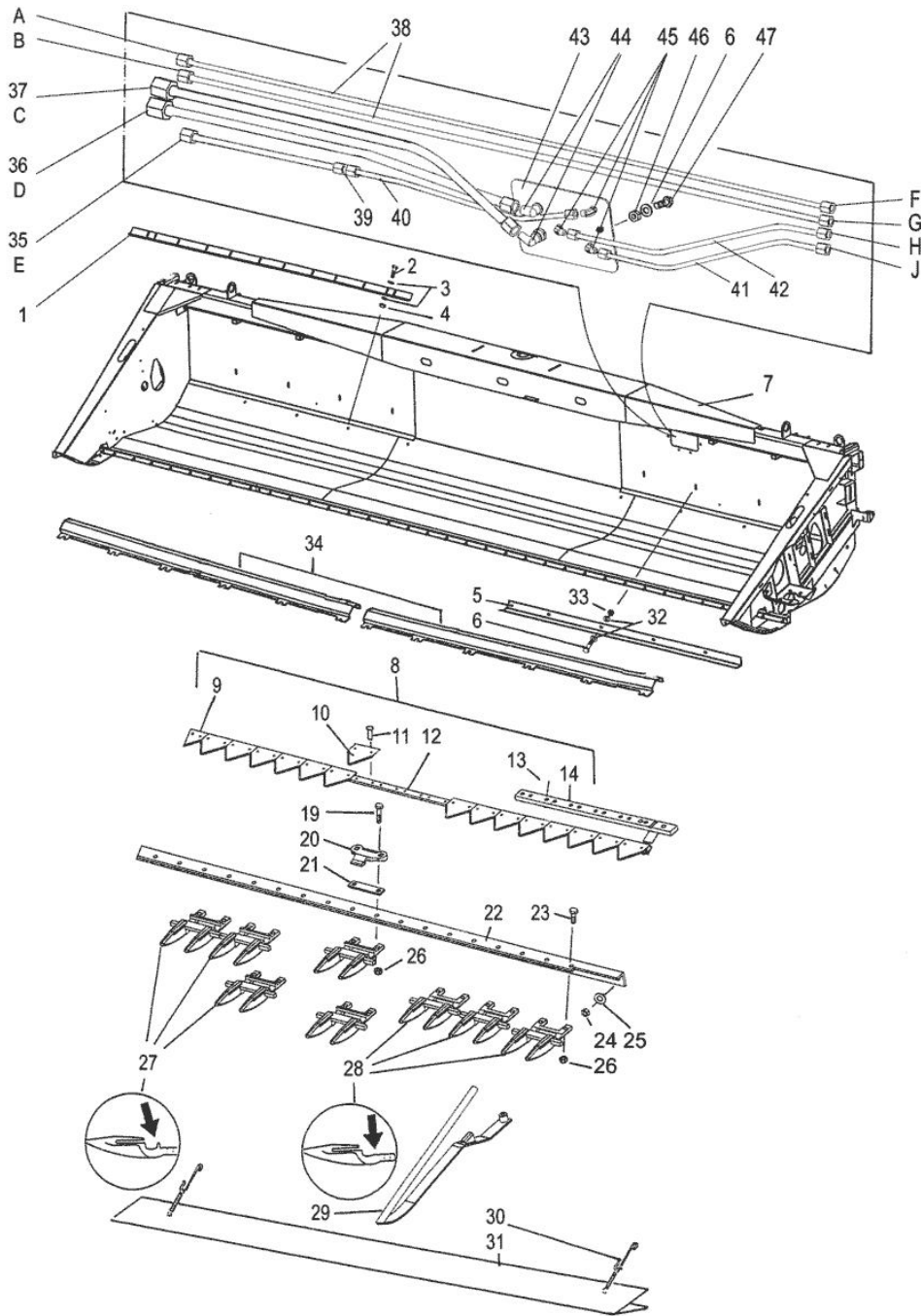


Fig.	P/n	QTY	Name
46	6594038	6	nut
47	6221260	6	screw

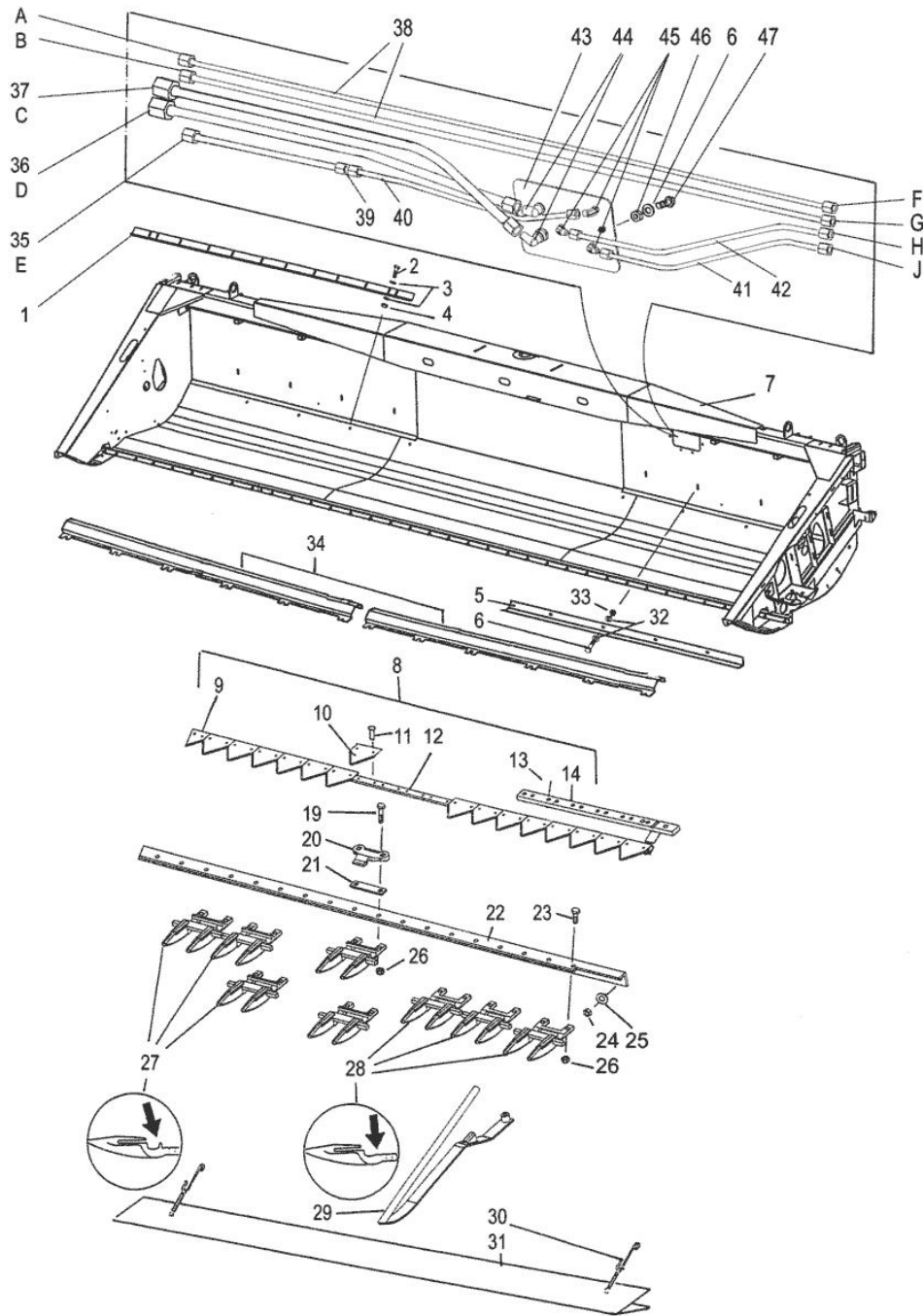
TROUGH 4,8 M

Fig.	P/n	QTY	Name
Notes:			
[5585HT]			
1	R697673	2	rail
2	6225767	8	screw
3	7400033	32	washer
4	6594148	8	nut
5	R697672	2	rail
6	6221267	8	screw
7	R697402	1	guide rail
8	R696847	1	blade
9	0498828	1	knife blade
10	0498821	1	knife blade
11	7614218		rivet
12	R694463	1	blade holder
13	7615040	11	rivet
14	R696848	1	support
19	6227197		screw
20	0498840		interlock
21	R632966		small plate
22	R694461	1	finger bar
23	6226587		screw
24	6506434		nut
25	7414471		washer
26	6594148		nut
27	0498838		double finger
28	R638710	3	double finger
29	R620041		earlifter
30	R671443	2	spring
31	R694466	1	guard
32	7400032	16	washer
33	6506234	8	nut
34	R695354	1	guard
35	R699670	1	tube
36	R699656	1	tube
37	R699655	1	tube
38	R699672	2	tube
39	0629395	1	pipe fitting
40	R699661	1	tube
41	R699673	1	tube
42	R699671	1	tube
43	R699099	1	plate
44	0493761	2	pipe fitting
45	0493760	3	pipe fitting

TROUGH 4,8 M

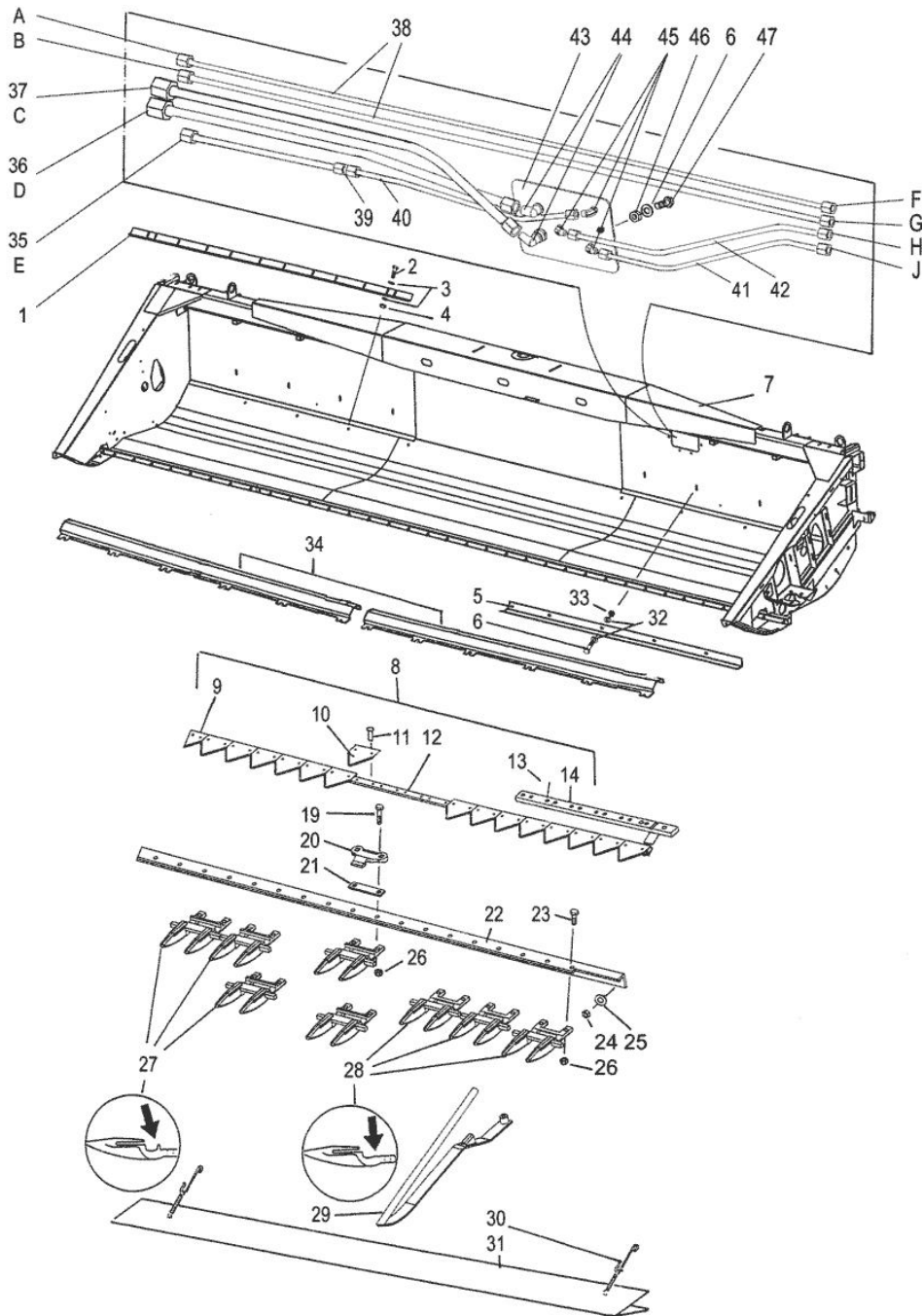


Fig.	P/n	QTY	Name
46	6594038	6	nut
47	6221260	6	screw

Thank you so much for reading.
Please click the “Buy Now!”
button below to download the
complete manual.



After you pay.

You can download the most
perfect and complete manual in
the world immediately.

Our support email:

ebooklibonline@outlook.com