

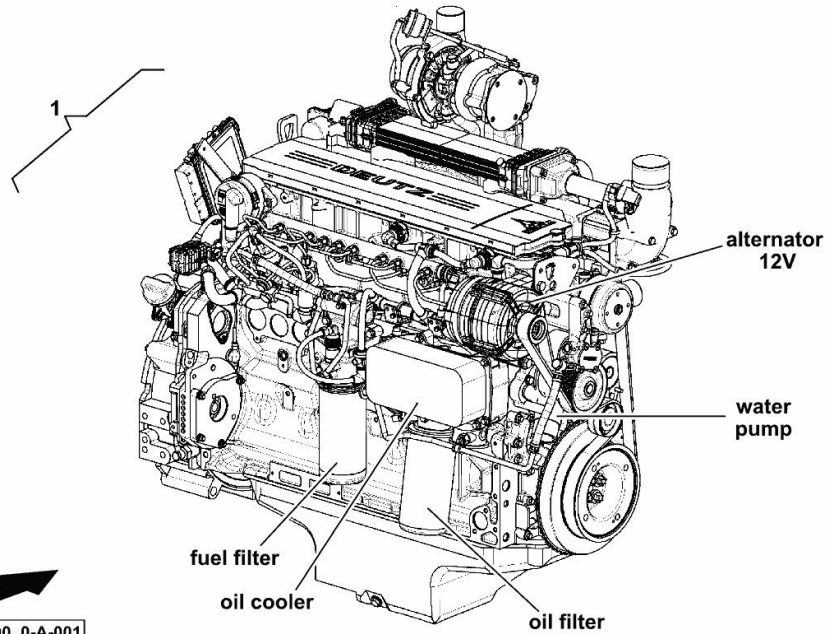
**DEUTZ ENGINE 163 kW / 222 CV**

Fig.	P/n	QTY	Name
------	-----	-----	------

**Notes:**

TCD 2012 L06-4V [5650 H COM 3 ->13500]

1	25008180	1	engine TCD 2012 L06-4V ON ORDERING PLEASE ENGINE NO. REQUIRED
---	----------	---	---



H9\_Z43A0\_00\_0-A-001

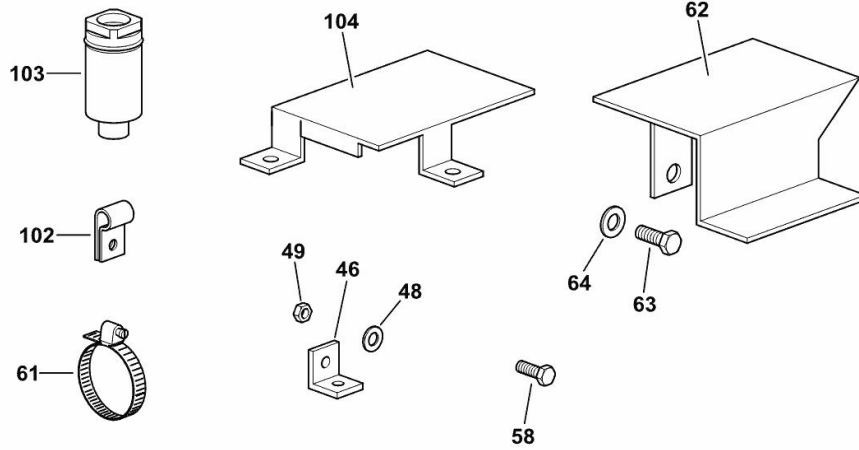
**ACCESSORIES**

Fig.	P/n	QTY	Name
------	-----	-----	------

**Notes:**

TCD 2012 L06-4V [5650 H COM 3 ->13500]

46	16006188	1	angular
48	01102797	2	washer 6, d128
49	01112813	2	nut m 6
58	01112264	1	screw m 6 x 20, d933
61	01100163	1	clamp Ø 110/135
62	16062706	1	guard
63	01112299	1	screw m 8 x 12, d933
64	01102799	1	washer 8, d128
102	04325384	2	clamp 19 x 23
103	16064285	1	connection
104	16064187	1	small guard



H9\_Z43A0\_00\_0-C-001

**FASTENINGS**

Fig.	P/n	QTY	Name
------	-----	-----	------

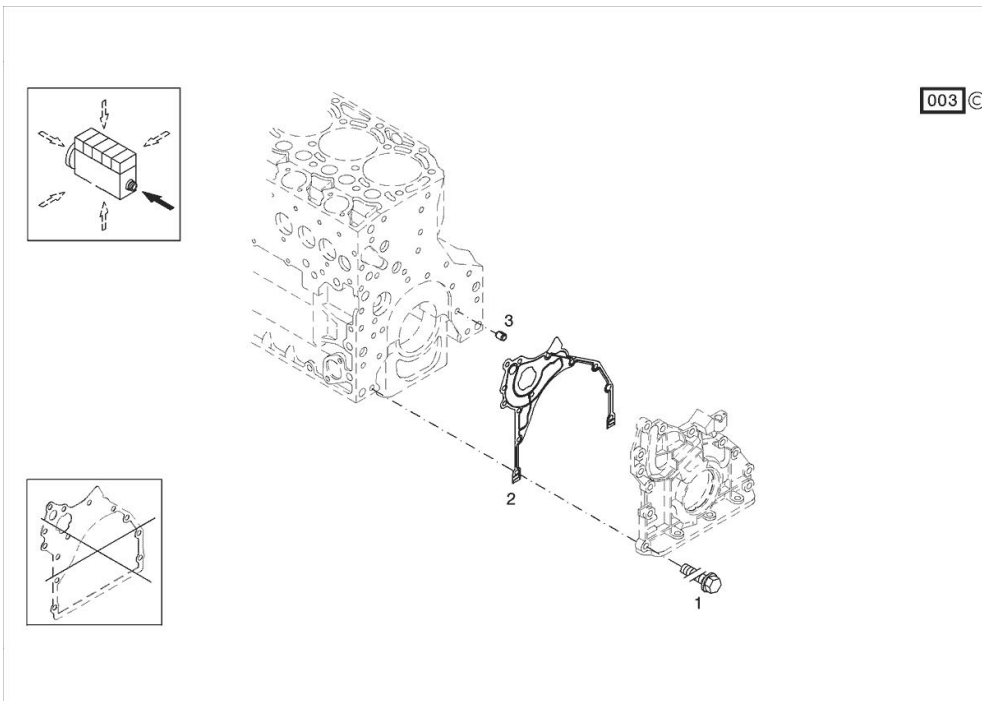
**Notes:**

[5650 H COM 3 ->13500]

**Engine serial number:**

10512163 10549272 10549273 10549274 10549276 10549277 10582106 10582111 10582114 10582115 10609430  
10609431 10609433

1	01183645	12	screw EN 1662 -F-M8X35-10.9-ZNAL-A
2	04504325	1	gasket
3	01181406	1	bushing H 2341 -B11X8-FE/ZN12C*



**FASTENINGS**

Fig.	P/n	QTY	Name
------	-----	-----	------

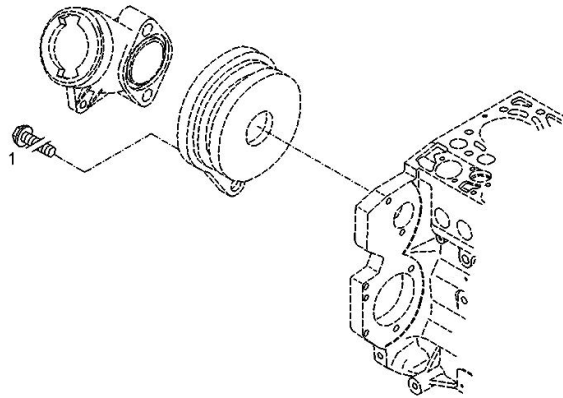
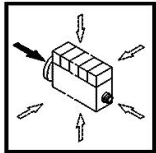
**Notes:**

[5650 H COM 3 ->13500]

**Engine serial number:**

10512163 10549272 10549273 10549274 10549276 10549277 10582106 10582111 10582114 10582115 10609430  
10609431 10609433

1	01181438	1	screw 30 Nm EN 1662 -F-M8X55-10.9-ZNAL-A
2	01181437	3	screw 20 Nm EN 1662 -F-M8X45-10.9-ZNAL-A



000

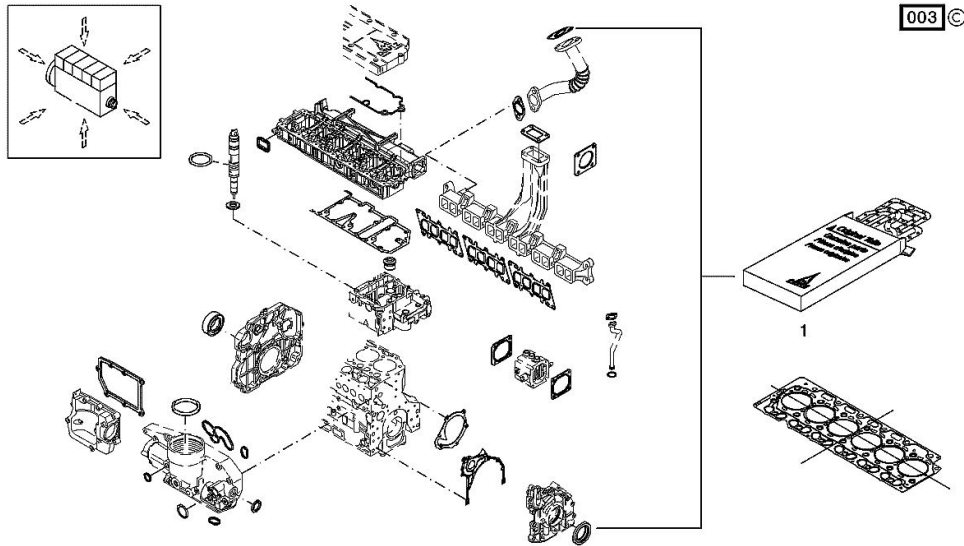
Section: B0 - ENGINE  
**SERIE GUARNIZIONI**

Fig.	P/n	QTY	Name
------	-----	-----	------

**Notes:**  
 [5650 H COM 3 ->13500]

**Engine serial number:**  
 10512163 10549272 10549273 10549274 10549276 10549277 10582106 10582111 10582114 10582115 10609430  
 10609431 10609433

1	02937590	1	gasket set THE KIT DOES NOT CONTAIN ALL THE GASKETS: SEE SM 0199-99-9449
---	----------	---	--



Section: B0 - ENGINE  
**CRANKCASE BREATHER**

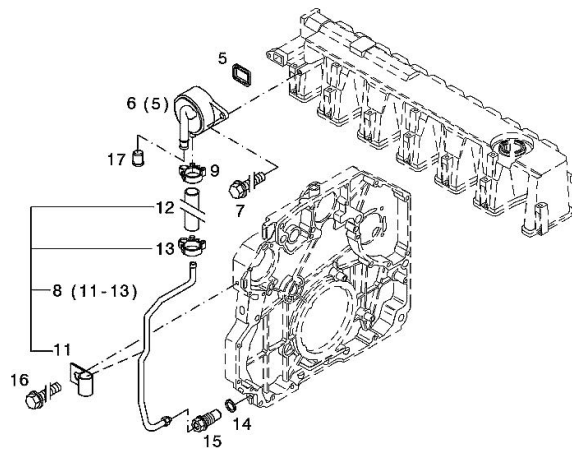
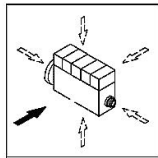
Fig.	P/n	QTY	Name
------	-----	-----	------

**Notes:**

[5650 H COM 3 -&gt;13500]

**Engine serial number:**

10512163 10549272 10549273 10549274 10549276 10549277 10582106 10582111 10582114 10582115 10609430  
 10609431 10609433



002 ©

5	04298547	1	rubber plug
6	04905110	1	breather WITH POS.... (5)
7	01181432	2	screw m8x30 EN 1662 -F-M8X30-10.9-ZNAL-A
8	04504875	1	tube WITH POS.... 11-13
9	01182878	1	fascia H 3461 -F-13,0/8
11	02144961	1	fascia
12	04288505	1	rubber tube H 3407 -F8X14X97-EAM/ARAMID/EAM
13	01182878	1	fascia H 3461 -F-13,0/8
14	01118737	1	oil seal 22 x 27 DIN 7603 -A22X27-CU
15	04505853	1	pipe union
16	01181442	1	screw m6x12 EN 1662 -F-M6X12-10.9-ZNAL-A
17	01161302	1	bottom H 2873 -A25,5X22,8X17-PEWEICH

**CRANKCASE**

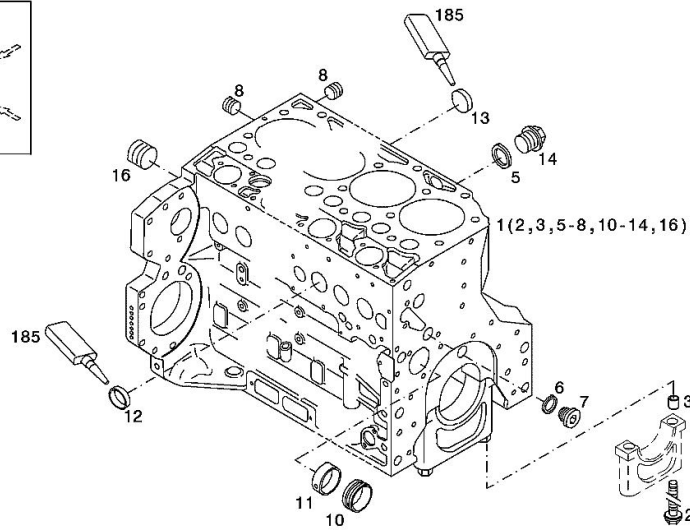
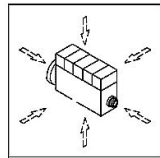
Fig.	P/n	QTY	Name
------	-----	-----	------

**Notes:**

[5650 H COM 3 ->13500]

**Engine serial number:**

10512163 10549272 10549273 10549274 10549276 10549277 10582106 10582111 10582114 10582115 10609430  
10609431 10609433



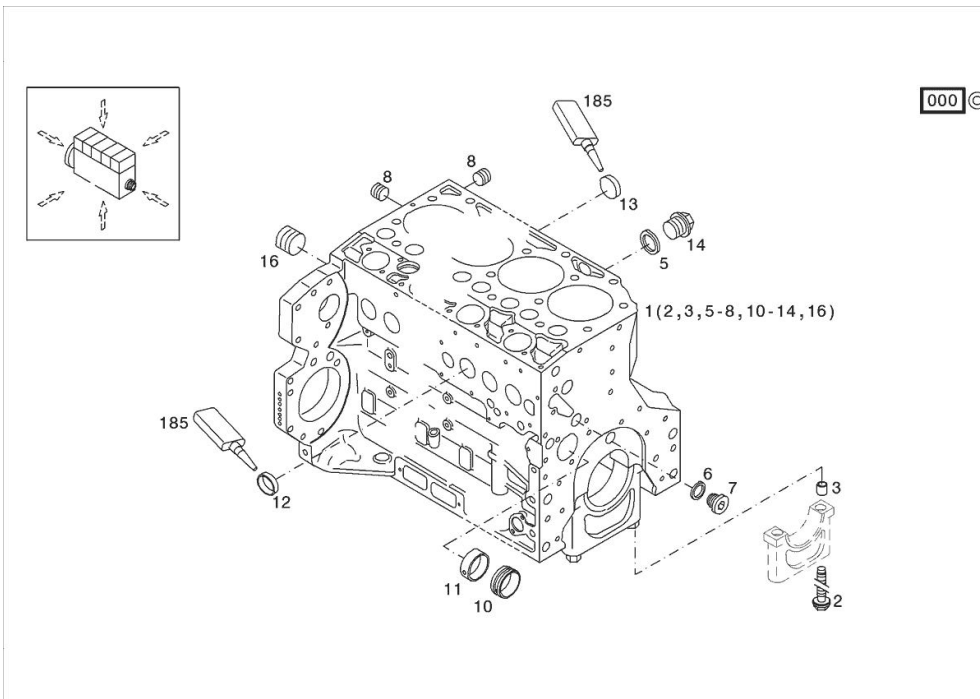
1	04296594	1	crankcase WITH POS.... (2,3,5-8,10-14,16)
2	04254240	14	screw
3	04160764	14	bushing
5	01118693	2	gasket 14x20 DIN 7603 -A14X20-CU
6	01101342	1	oil seal DIN 7603 -D22X27-CU
7	04292706	1	plug
8	01182031	2	screw H 2812 -906-M14X1,5-ST-A3C-LOCTITE506
10	04251884	6	plug
11	04250086	1	ring
12	01148032	9	cover DIN 443 -A45-ZNPHR
13	01148031	5	plug DIN 443 -A36-ZNPHR
14	01100940	2	screw DIN 7604 -AM14X1,5-ST-A4C
16	04226536	1	bottom
185	01016125	1	guard H 0699 -DEUTZDW72-250ML

Section: B0 - ENGINE  
**KURBELGEHAEUSE**

Fig.	P/n	QTY	Name
------	-----	-----	------

**Notes:**

[5650 H COM 3 -&gt;13500]



185	01319910	1	guard
1	04506860	1	crankcase MIT POS.... (2,3,5-8,10-14,16)
2	04254240	14	screw 50 Nm , 90° , 90°
3	04160764	14	bushing
5	01118693	2	gasket 14x20 DIN 7603 -A14X20-CU
6	01101342	1	oil seal DIN 7603 -D22X27-CU
7	04292706	1	plug 80 Nm
8	01182031	2	screw 35 Nm H 2812 -906-M14X1,5-ST-A3C-LOCTITE506
10	04251884	6	plug
11	04250086	1	ring
12	01148032	9	cover DIN 443 -A45-ZNPHR
13	01148031	5	plug DIN 443 -A36-ZNPHR
14	01100940	2	screw 35 Nm DIN 7604 -AM14X1,5-ST-A4C
16	04226536	1	bottom 30 Nm



**DIPSTICK**

Fig.	P/n	QTY	Name
------	-----	-----	------

**Notes:**

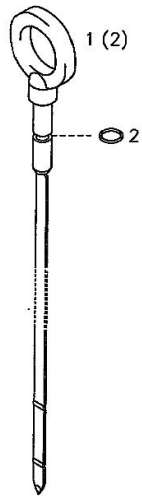
[5650 H COM 3 ->13500]

**Engine serial number:**

10512163 10549272 10549273 10549274 10549276 10549277 10582106 10582111 10582114 10582115 10609430  
10609431 10609433

1	01180110	1	dipstick WITH POS.... (2) H 3535 -BG-683-650X13-OE
2	01165973	1	ring 5x1,5 H 2927 -5X1,5-NBR-1-60
10	01017932		ring Nr. material: only for calculating the quantity CALCULATION

000



**ACCESSORIES**

Fig.	P/n	QTY	Name
------	-----	-----	------

**Notes:**

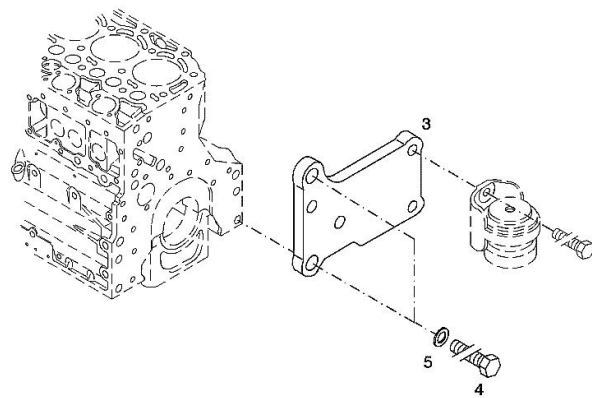
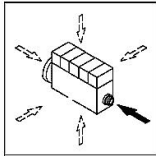
[5650 H COM 3 ->13500]

**Engine serial number:**

10512163 10549272 10549273 10549274 10549276 10549277 10582106 10582111 10582114 10582115 10609430  
10609431 10609433

3	04288659	1	support
4	01148261	2	screw ISO 4017 -M16X40-10.9-ZNAL-A
5	01181400	2	washer H 2308 -18X25X1,5-A4C

006 ©



Section: B0 - ENGINE

**OIL MEASURING DEVICE**

Fig.	P/n	QTY	Name
------	-----	-----	------

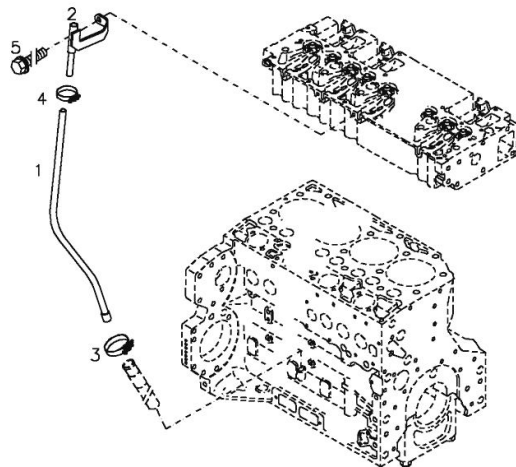
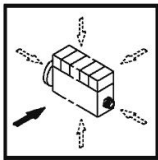
**Notes:**

[5650 H COM 3 -&gt;13500]

**Engine serial number:**

10512163

950	01180461	1	clamp H 3461 -F-15,0/8
1	04291689	1	tube
2	04291687	1	support
3	01166353	1	fascia BIS BAUMONAT (A) AB BAUMONAT SIEHE POS. (B) A = 10.2015 B = Pos.950 2 Nm DIN 3017 -B1-15X9-W1-2
4	01166350	1	fascia 2 Nm DIN 3017 -B1-12X9-W1-2
5	01181436	1	screw 20 Nm EN 1662 -F-M8X16-LG2,5-10.9-ZNAL-A



Thank you so much for reading.  
Please click the “Buy Now!”  
button below to download the  
complete manual.



After you pay.

You can download the most  
perfect and complete manual in  
the world immediately.

Our support email:

[ebooklibonline@outlook.com](mailto:ebooklibonline@outlook.com)