

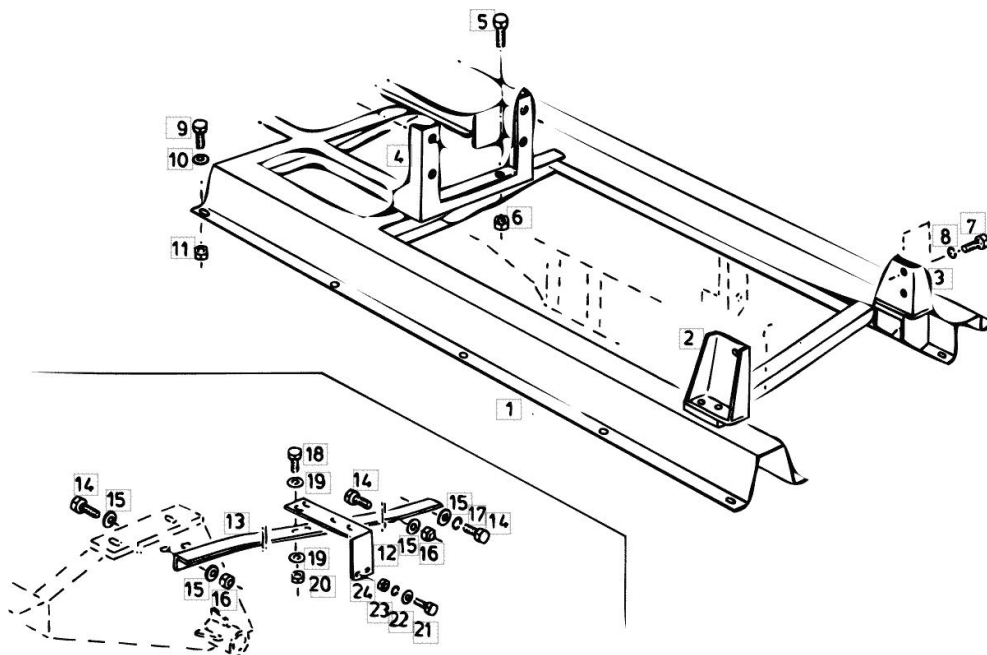
Section: ENGINE

**ENGINE ASSEMBLY PARTS BF 6M 1013**

| Fig. | P/n | QTY | Name |
|------|-----|-----|------|
|------|-----|-----|------|

**Notes:**

|                     |                 |        |                     |                 |
|---------------------|-----------------|--------|---------------------|-----------------|
| MOTOR BF 6M 1013 FC | 170 KW / 231 PS | M 5650 | MOTOR BF 6M 1013 FC | 190 KW / 258 PS |
| ----- [5650H]       |                 |        |                     |                 |



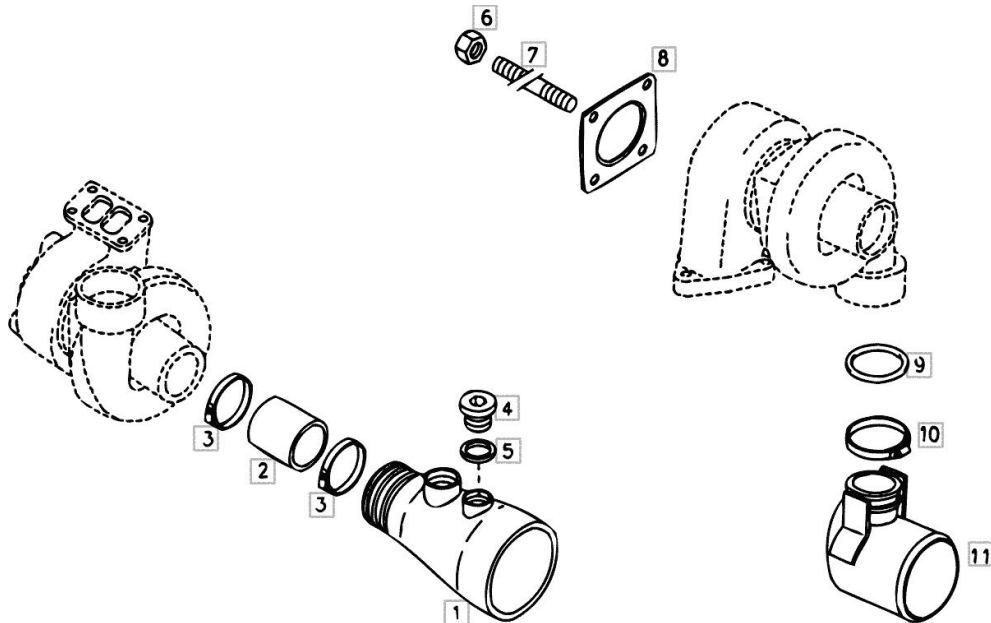
|    |          |   |                       |
|----|----------|---|-----------------------|
| 1  | 16062214 | 1 | chassis frame         |
| 2  | 16049855 | 1 | support               |
| 3  | 16049856 | 1 | support               |
| 4  | 16049858 | 1 | support               |
| 5  | 01112663 | 2 | screw m 16 x 25       |
| 6  | 01127856 | 2 | nut m 16, d985        |
| 7  | 01112547 | 8 | screw m 12 x 40, d933 |
| 8  | 01102801 | 8 | washer 12             |
| 9  | 01112538 | 4 | screw m 12 x 35, d933 |
| 10 | 06214206 | 4 | washer 13.2           |
| 11 | 06209769 | 4 | nut m 12, d985        |
| 12 | 16005472 | 1 | square                |
| 13 | 16005469 | 1 | support               |
| 14 | 01112439 | 1 | screw m 10 x 35, d933 |
| 15 | 01107165 | 4 | washer 10.5           |
| 16 | 06209768 | 3 | nut m 10, d985        |
| 17 | 01102800 | 1 | washer 10.2           |
| 18 | 01112538 | 2 | screw m 12 x 35, d933 |
| 19 | 01107163 | 4 | washer 9, d126        |
| 20 | 01104944 | 2 | nut m 8, d985         |
| 21 | 01112264 | 4 | screw m 6 x 20, d933  |
| 22 | 06214189 | 4 | washer 6.4            |
| 23 | 01102797 | 4 | washer 6, d128        |
| 24 | 01112813 | 4 | nut m 6               |

**ENGINE TURBOCHARGER BF 6M 1013**

| Fig. | P/n | QTY | Name |
|------|-----|-----|------|
|------|-----|-----|------|

Notes:  
[5650H]

|    |          |   |               |
|----|----------|---|---------------|
| 1  | 04180232 | 1 | manifold      |
| 2  | 16062481 | 1 | adapter       |
| 3  | 01173940 | 2 | clamp Ø 70/90 |
| 4  | 01124760 | 1 | screw         |
| 5  | 01118760 | 1 | gasket 26x31  |
| 6  | 01144673 | 4 | nut           |
| 7  | 01143285 | 4 | stud bolt     |
| 8  | 04209203 | 1 | gasket        |
| 9  | 01180295 | 1 | gasket        |
| 10 | 01174133 | 1 | fascia        |
| 11 | 04209073 | 1 | sleeve        |



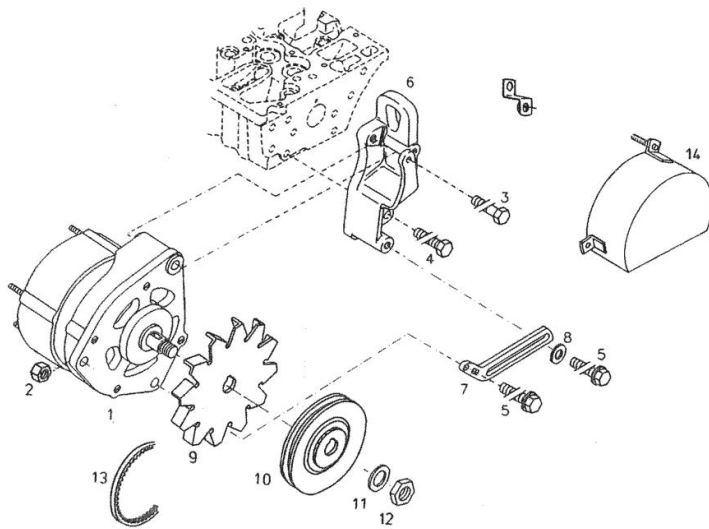
Section: ENGINE

**ENGINE GENERATOR BF 6M 1013**

| Fig. | P/n | QTY | Name |
|------|-----|-----|------|
|------|-----|-----|------|

Notes:  
[5650H]

|    |          |   |                  |
|----|----------|---|------------------|
| 1  | 01181250 | 1 | dynamo           |
| 2  | 01122477 | 1 | nut m 8 p.1.25   |
| 3  | 01111183 | 1 | screw            |
| 4  | 06209433 | 4 | screw m 10 x 40  |
| 5  | 01181416 | 2 | screw            |
| 6  | 04209685 | 1 | console          |
| 7  | 04204573 | 1 | link             |
| 8  | 02404201 | 1 | washer           |
| 9  | 01162876 | 1 | fan              |
| 10 | 01177344 | 1 | pulley           |
| 11 | 01103952 | 1 | spring disc      |
| 12 | 01151190 | 1 | nut m16x1,5 d439 |
| 13 | 01180709 | 1 | belt             |
| 14 | 16056954 | 1 | guard            |
| 15 | 16062441 | 1 | square           |



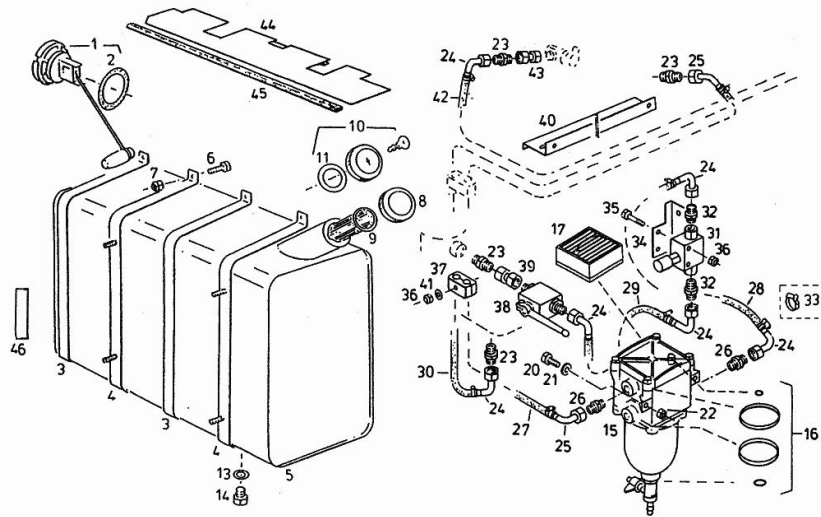
Section: ENGINE

**FUEL TANK BF 6M 1013 FC**

| Fig. | P/n | QTY | Name |
|------|-----|-----|------|
|------|-----|-----|------|

**Notes:**

----- [5650H]

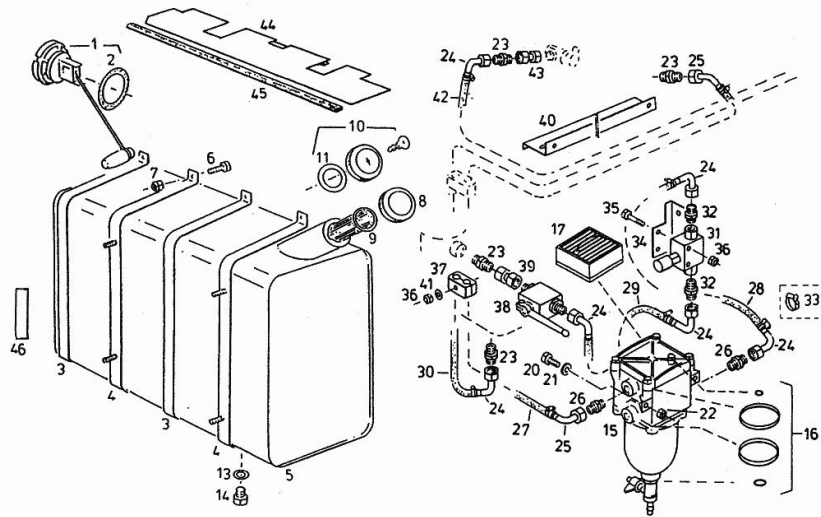


|    |          |   |                                      |
|----|----------|---|--------------------------------------|
| 1  | 16028967 | 1 | temperature gauge                    |
| 2  | 06260431 | 1 | gasket                               |
| 3  | 16006397 | 1 | metal strip                          |
| 4  | 16006406 | 1 | metal strip                          |
| 5  | 16055292 | 1 | fuel tank 555 lt.<br>☞ 16055292      |
| 6  | 01112547 | 6 | screw m 12 x 40, d933                |
| 7  | 06209769 | 6 | nut m 12, d985                       |
| 8  | 01244823 | 1 | plug                                 |
| 9  | 06255970 | 1 | small mesh                           |
| 10 | 01216272 | 1 | cover<br>W                           |
| 11 | 01211299 | 1 | oil seal<br>X 8,10                   |
| 13 | 01118700 | 1 | oil seal Ø 16 x 20                   |
| 14 | 01118964 | 2 | plug m 16 p.1.5                      |
| 15 | 04254437 | 1 | fuel filter element                  |
| 16 | 01319823 | 1 | gasket set                           |
| 17 | 01319822 | 1 | insert                               |
| 20 | 01112322 | 2 | screw m 8 p.1.25 x 20                |
| 21 | 01107101 | 2 | washer 8.4                           |
| 22 | 01104944 | 2 | nut m 8, d985                        |
| 23 | 16048122 | 4 | pipe fitting GE 15 PL                |
| 24 | 16056913 | 8 | vent Ø 10 / m 22 p.1.5               |
| 25 | 16056910 | 2 | pipe fitting                         |
| 26 | 16048123 | 2 | threaded joint ge 15/m22x1,5         |
| 27 | 16056924 | 1 | flexible hose L = mm 3630<br>G 25,27 |
| 28 | 16056925 | 1 | flexible hose L = mm 300<br>G 24,28  |
| 29 | 16056975 | 1 | flexible hose L = mm 440<br>G 24,29  |
| 30 | 16056985 | 1 | flexible hose L = mm 5300<br>G 24,30 |
| 31 | 02111961 | 1 | pump                                 |
| 32 | 01177226 | 2 | pipe fitting m 18 p.1.5 x 15         |
| 33 | 01137412 | 1 | clamp                                |
| 34 | 16058142 | 1 | support                              |
| 35 | 01102664 | 2 | screw m 6 x 45                       |
| 36 | 01114357 | 6 | nut m 6, d985                        |
| 37 | 06272953 | 2 | terminal Ø 18                        |

Section: ENGINE

**FUEL TANK BF 6M 1013 FC**

| Fig. | P/n      | QTY | Name                      |
|------|----------|-----|---------------------------|
| 38   | 16056917 | 1   | ball valve                |
| 39   | 16040257 | 1   | tube                      |
| 40   | 16058140 | 1   | support                   |
| 41   | 06214189 | 4   | washer 6.4                |
| 42   | 16056981 | 1   | flexible hose L = mm 4700 |
| 43   | 16056918 | 1   | reduction                 |
| 44   | 16062317 | 1   | hood                      |
| 45   | 01390702 | 1   | gasket PVC<br>850 MM      |
| 46   | 16062368 | 4   | rubber                    |



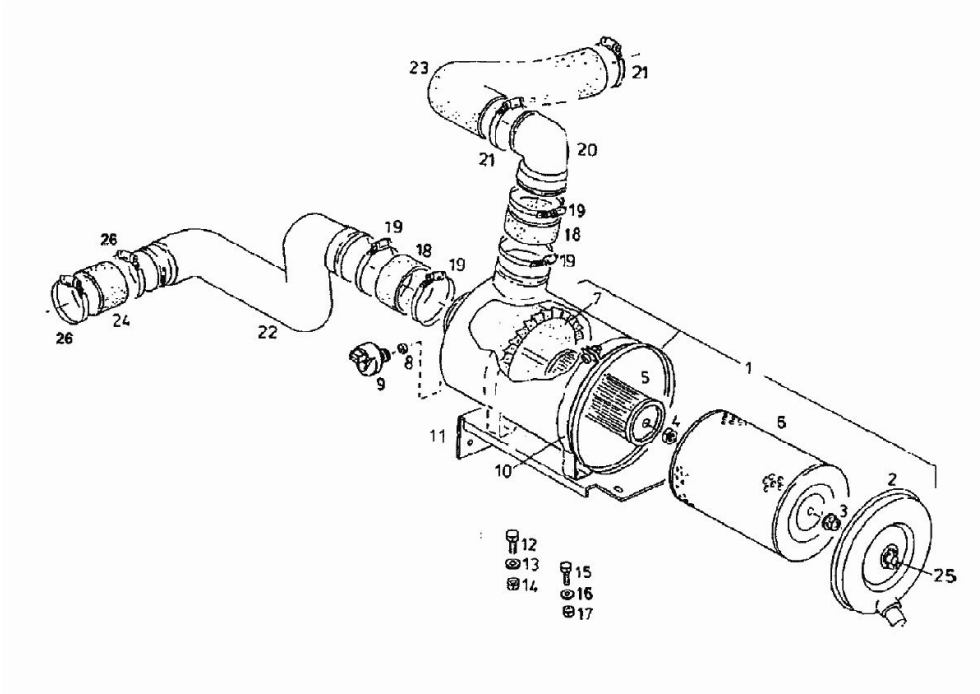
Section: ENGINE

**AIR CLEANER BF 6M 1013**

| Fig. | P/n | QTY | Name |
|------|-----|-----|------|
|------|-----|-----|------|

Notes:  
[5650H]

|    |          |   |                                   |
|----|----------|---|-----------------------------------|
| 1  | 16049833 | 1 | air filter<br>☞ 16049833          |
| 2  | 16053197 | 1 | cap                               |
| 3  | 02241268 | 1 | nut                               |
| 4  | 01151190 | 1 | nut m16x1,5 d439                  |
| 5  | 16053198 | 1 | filter                            |
| 6  | 16053199 | 1 | filter                            |
| 7  | 16053196 | 1 | ring                              |
| 8  | 03363577 | 1 | ring                              |
| 9  | 16052332 | 1 | sensor                            |
| 10 | 16054474 | 1 | interlock                         |
| 11 | 16062439 | 1 | angular                           |
| 12 | 01112515 | 4 | screw m 12 x 25                   |
| 13 | 06214280 | 4 | washer 13 x 24 x 2.5              |
| 14 | 06209769 | 4 | nut m 12, d985                    |
| 15 | 01112307 | 2 | screw m 8 p.1.25 x 15, d933       |
| 16 | 06214192 | 2 | washer 8.4                        |
| 17 | 01104944 | 2 | nut m 8, d985                     |
| 18 | 16054477 | 2 | sleeve                            |
| 19 | 16061829 | 4 | clamp Ø 150/170                   |
| 20 | 16054476 | 1 | tube                              |
| 21 | 01128276 | 1 | clamp Ø 110/130                   |
| 22 | 16061149 | 1 | primer                            |
| 23 | 16061137 | 1 | flexible hose Ø 130 / L = mm 1945 |
| 24 | 01145266 | 1 | rubber sleeve 130x150             |
| 25 | 02169190 | 1 | nut                               |



Section: ENGINE

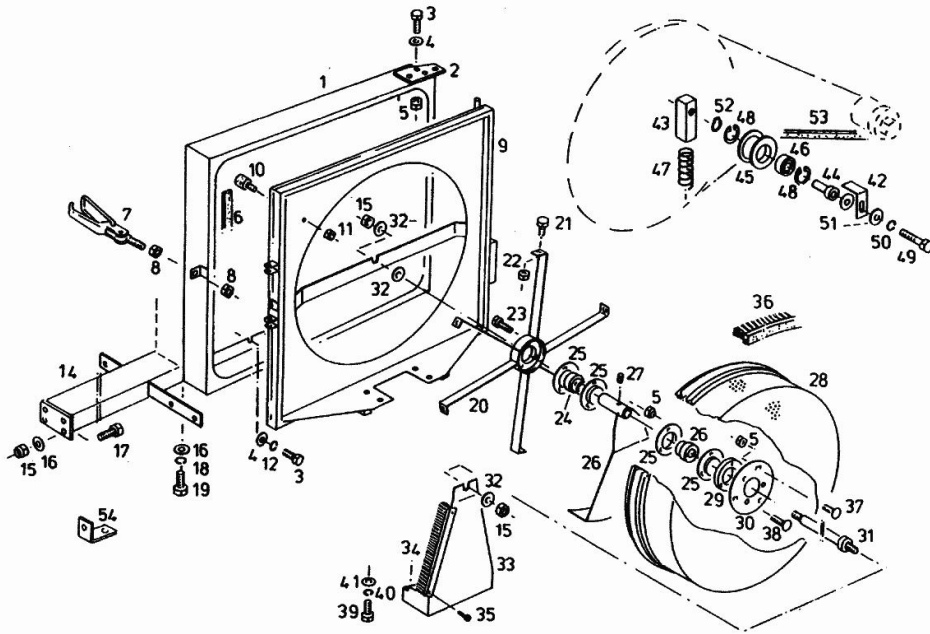
**ENGINE COOLING SYSTEM STRAINER**

| Fig. | P/n | QTY | Name |
|------|-----|-----|------|
|------|-----|-----|------|

**Notes:**

[5650H]

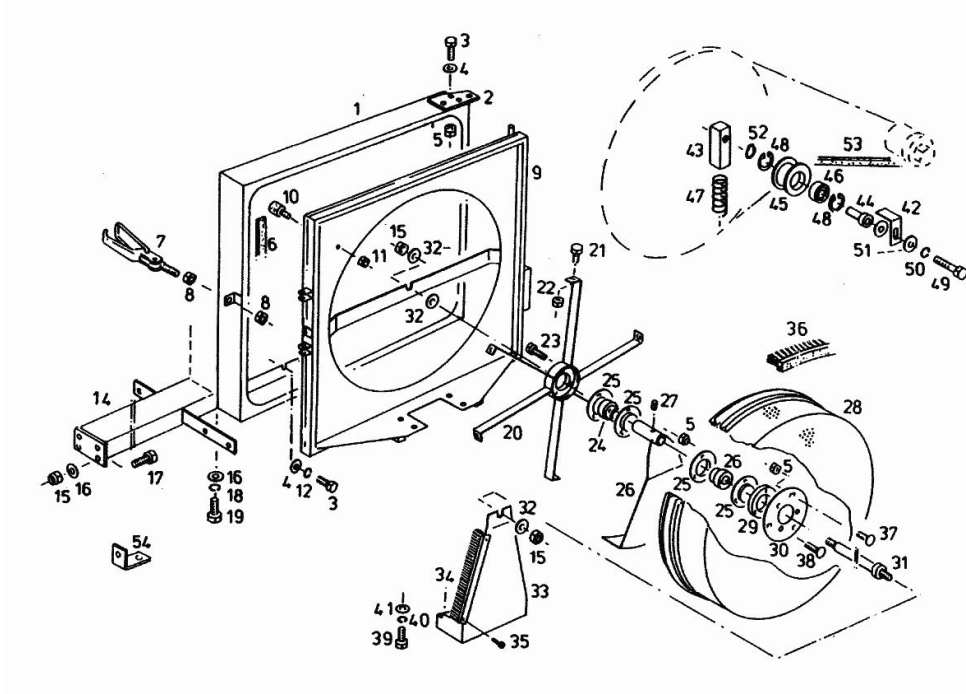
|      |          |   |                       |
|------|----------|---|-----------------------|
| 1    | 16061145 | 1 | chassis frame         |
| 2    | 16049941 | 1 | plate                 |
| 3    | 01112330 | 4 | screw m 8 x 25        |
| 4    | 01107163 | 4 | washer 9, d126        |
| 5    | 01104944 | 4 | nut m 8, d985         |
| 6    | 01396986 | 1 | copper gasket 4300 mm |
| 7    | 06259239 | 1 | interlock             |
| 8    | 01112858 | 2 | nut m 12, d934        |
| 9    | 16061102 | 1 | chassis frame         |
| 10   | 06253864 | 1 | silent-block          |
| 11   | 01114357 | 1 | nut m 6, d985         |
| 12   | 01102799 | 1 | washer 8, d128        |
| 14   | 16062309 | 1 | carrier               |
| 15   | 06209769 | 8 | nut m 12, d985        |
| 16   | 06205230 | 1 | washer 13 x 24 x 2.5  |
| 17   | 01112538 | 6 | screw m 12 x 35, d933 |
| 18   | 01102801 | 2 | washer 12             |
| 19   | 01112515 | 2 | screw m 12 x 25       |
| 20   | 16053693 | 1 | wheel                 |
| 21   | 01103316 | 6 | screw m 6 p.1.0 x 16  |
| 22   | 01114357 | 1 | nut m 6, d985         |
| 23   | 01112350 | 3 | screw m 8 x 35        |
| 24   | 06215739 | 2 | bearing yb 20         |
| 25   | 06215781 | 4 | bearing housing rb 20 |
| 26   | 16055226 | 1 | plate                 |
| 27   | 01139633 | 1 | grub screw m 6 x 6    |
| 28   | 16055288 | 1 | filtering basket      |
| 29   | 16035507 | 1 | ring 7x12x1800        |
| 30   | 16035511 | 1 | disc                  |
| 31   | 16035478 | 1 | shaft m 12            |
| 32   | 01133726 | 1 | washer 13             |
| 33   | 16049857 | 1 | plate                 |
| 34   | 16054422 | 1 | brush                 |
| 35   | 01143163 | 2 | screw 4,2x9,5 d7981   |
| 36.1 | 16055287 | 1 | brush L = mm 470      |
| 37   | 01138993 | 3 | screw m 8 x 16        |
| 38   | 01138837 | 3 | screw m 8 x 35        |
| 39   | 01112407 | 4 | screw m 10 x 20, d933 |
| 40   | 01102800 | 4 | washer 10.2           |
| 41   | 01107165 | 4 | washer 10.5           |
| 42   | 16050785 | 1 | angular               |



Section: ENGINE

**ENGINE COOLING SYSTEM STRAINER**

| Fig. | P/n      | QTY | Name               |
|------|----------|-----|--------------------|
| 43   | 16050786 | 1   | small block        |
| 44   | 16055271 | 1   | bush               |
| 45   | 16050788 | 1   | tensioner          |
| 46   | 01128197 | 1   | bearing 2 RS       |
| 47   | 06215299 | 1   | spring             |
| 48   | 01107827 | 2   | circlip 40 x 1.75  |
| 49   | 01136993 | 1   | screw m 12 x 70    |
| 50   | 01102801 | 1   | washer 12          |
| 51   | 06214364 | 2   | disc 13.2          |
| 52   | 01107726 | 1   | circlip 17         |
| 53   | 01145970 | 1   | belt 1/10 x 4060Li |
| 54   | 16056417 | 1   | square             |





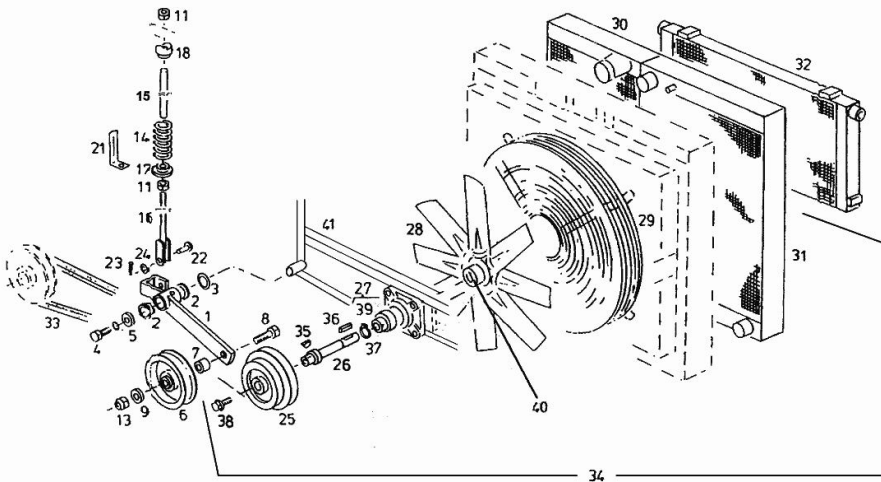
Section: ENGINE

**ENGINE COOLING SYSTEM COMBIN. COOLER**

| Fig. | P/n | QTY | Name |
|------|-----|-----|------|
|------|-----|-----|------|

Notes:  
[5650H]

|    |          |   |                        |
|----|----------|---|------------------------|
| 1  | 16054425 | 1 | lever                  |
| 2  | 06260680 | 2 | bush 30 x 45 x 20      |
| 3  | 06214234 | 2 | disc 31 x 45 x 2       |
| 4  | 01112515 | 1 | screw m 12 x 25        |
| 5  | 16012311 | 1 | washer 13              |
| 6  | 06253492 | 1 | tensioner 25,4 / 159   |
| 7  | 16054427 | 1 | bush                   |
| 8  | 01122463 | 1 | screw m 16 x 65, d933  |
| 9  | 01107117 | 1 | washer 17              |
| 11 | 01112858 | 2 | nut m 12, d934         |
| 13 | 01136464 | 1 | nut m 16               |
| 14 | 06215418 | 1 | spring                 |
| 15 | 06250686 | 1 | tube                   |
| 16 | 06501950 | 1 | stay m 12              |
| 17 | 06515117 | 1 | disc                   |
| 18 | 06519261 | 1 | disc                   |
| 21 | 16046800 | 1 | plate                  |
| 22 | 06210009 | 1 | small pin 10 x 28 x 24 |
| 23 | 01132625 | 1 | split pin 3.2 x 20     |
| 24 | 01107165 | 1 | washer 10.5            |
| 25 | 16061736 | 1 | pulley                 |
| 26 | 16055802 | 1 | shaft                  |
| 27 | 16048782 | 2 | bearing 25             |
| 28 | 16055801 | 1 | rotor                  |
| 29 | 16055803 | 1 | guard                  |
| 30 | 16061741 | 1 | intercooler            |
| 31 | 16061742 | 1 | water cooler           |
| 32 | 16055806 | 1 | radiator               |
| 33 | 01146013 | 1 | belt 1/17 x 2435Li     |
| 34 | 16061018 | 1 | radiator               |
| 35 | 16055807 | 1 | heelpiece              |
| 36 | 06212426 | 1 | stop 8x7x45 d6885      |
| 37 | 01107737 | 1 | ring 25 x 1,2 d471     |
| 38 | 01143382 | 1 | screw                  |
| 39 | 01146031 | 2 | special bearing        |
| 40 | 16058823 | 1 | hub                    |
| 41 | 16062107 | 1 | chassis frame          |



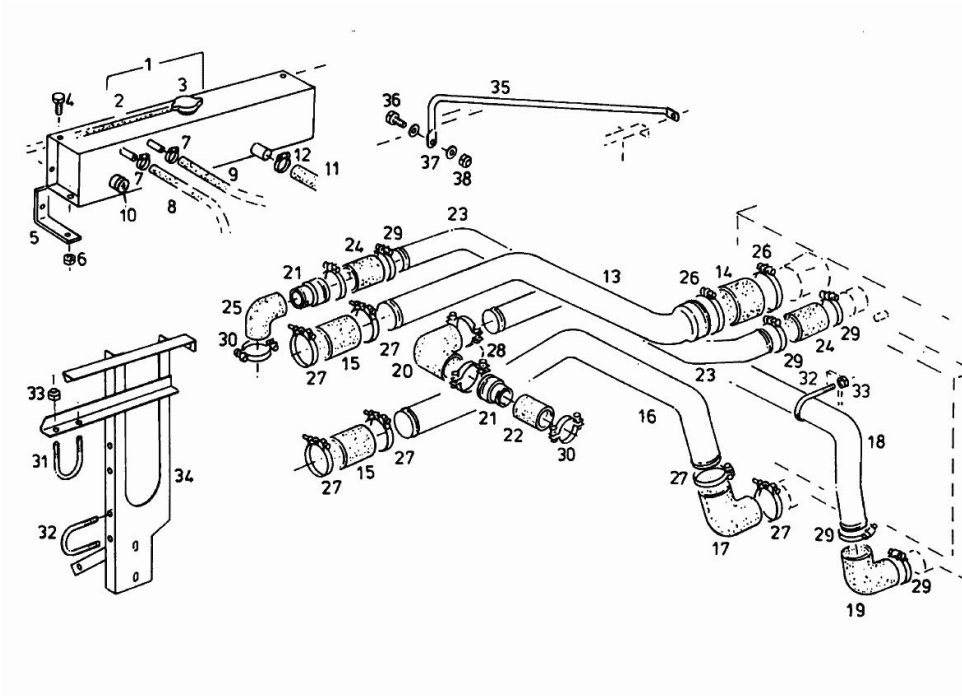
Section: ENGINE

**ENGINE COOLING SYSTEM PIPES**

| Fig. | P/n | QTY | Name |
|------|-----|-----|------|
|------|-----|-----|------|

**Notes:**

[5650H]



|    |          |    |                                  |
|----|----------|----|----------------------------------|
| 1  | 16062087 | 1  | small tank                       |
| 2  | 16048774 | 1  | flexible hose L-4800 mm          |
| 3  | 16048773 | 1  | cover                            |
| 4  | 01112333 | 6  | screw m 8 x 25, d933             |
| 5  | 06513009 | 1  | square                           |
| 6  | 01104944 | 6  | nut m 8, d985                    |
| 7  | 01173965 | 5  | clamp 10-16/9 h3461              |
| 8  | 16055277 | 1  | flexible hose                    |
| 9  | 16055278 | 1  | flexible hose                    |
| 10 | 16061798 | 1  | temperature gauge                |
| 11 | 16055276 | 1  | flexible hose Ø 22 / L = mm 1400 |
| 12 | 01133514 | 2  | clamp Ø 20/32                    |
| 13 | 16061153 | 1  | piping                           |
| 14 | 06258188 | 1  | rubber tube Ø 100                |
| 15 | 16061761 | 1  | rubber tube Ø 80                 |
| 16 | 16062428 | 1  | piping                           |
| 17 | 16049954 | 1  | rubber tube Ø 80                 |
| 18 | 16061152 | 1  | piping                           |
| 19 | 16054481 | 1  | flexible hose Ø 70               |
| 20 | 16043511 | 1  | rubber tube Ø 70                 |
| 21 | 16038123 | 2  | reduction unit                   |
| 22 | 16038977 | 1  | flexible hose 60x70              |
| 23 | 16061142 | 1  | piping                           |
| 24 | 01173148 | 2  | rubber tube Ø 70                 |
| 25 | 16054482 | 1  | rubber tube Ø 50                 |
| 26 | 16055273 | 2  | fascia 116                       |
| 27 | 04432121 | 6  | fascia Ø 86/20                   |
| 28 | 01145709 | 2  | fascia Ø 20/78                   |
| 29 | 01145712 | 6  | fascia Ø 82/20                   |
| 30 | 01145710 | 4  | fascia Ø 60/20                   |
| 31 | 16049912 | 2  | u bolt m 6                       |
| 32 | 16049946 | 3  | u bolt m 8                       |
| 33 | 01104944 | 10 | nut m 8, d985                    |
| 34 | 16061150 | 1  | support                          |
| 35 | 16054693 | 1  | tube                             |
| 36 | 01112264 | 2  | screw m 6 x 20, d933             |
| 37 | 01119810 | 3  | washer 6.4                       |
| 38 | 01114357 | 2  | nut m 6, d985                    |

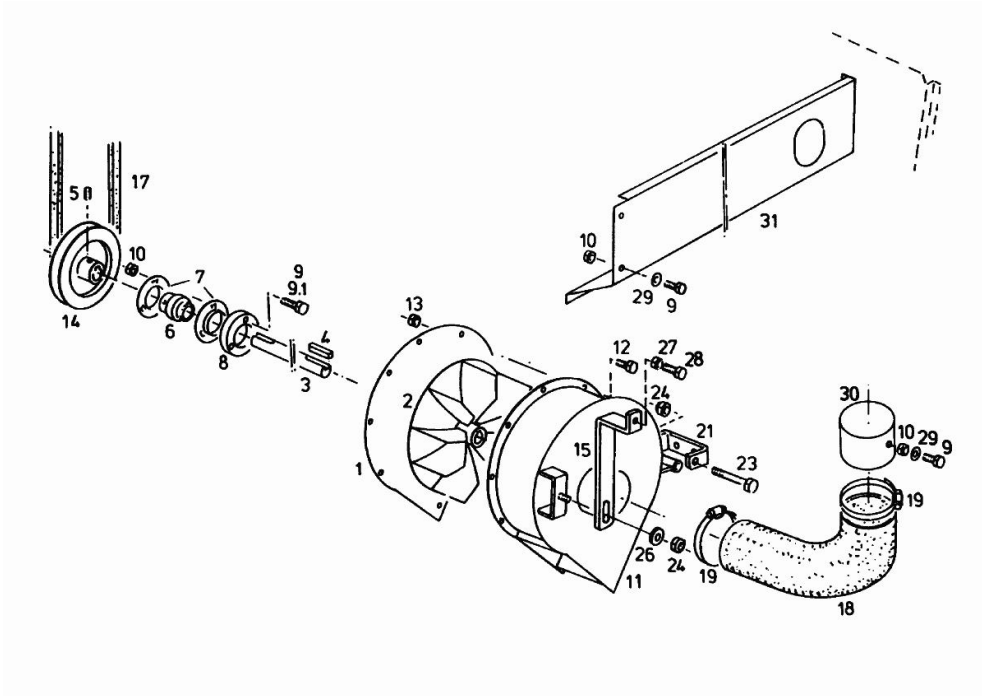
Section: ENGINE

**ENGINE INTAKE FAN**

| Fig. | P/n | QTY | Name |
|------|-----|-----|------|
|------|-----|-----|------|

Notes:  
[5650H]

|    |          |   |                            |
|----|----------|---|----------------------------|
| 1  | 16054639 | 1 | cap                        |
| 2  | 16054620 | 1 | fan                        |
| 3  | 16054645 | 1 | shaft 15.95x19 m10         |
| 4  | 01117995 | 2 | spring washer 6x6x36 d6885 |
| 5  | 06208993 | 2 | grub screw m 8 x 10        |
| 6  | 06215739 | 2 | bearing yb 20              |
| 7  | 06215781 | 4 | bearing housing rb 20      |
| 8  | 16035507 | 1 | ring 7x12x1800             |
| 9  | 01112341 | 6 | screw m 8 x 30, d933       |
| 10 | 01104944 | 9 | nut m 8, d985              |
| 11 | 16054615 | 1 | plate                      |
| 12 | 01112240 | 9 | screw m 6 x 12             |
| 13 | 01114357 | 9 | nut m 6, d985              |
| 14 | 16054440 | 1 | pulley 1/17x170            |
| 15 | 16054245 | 1 | link                       |
| 17 | 01116096 | 1 | belt 1/17 x 2360           |
| 18 | 16055244 | 1 | flexible hose              |
| 19 | 01174127 | 2 | clamp Ø 130/150            |
| 21 | 16054642 | 1 | support                    |
| 23 | 06209198 | 1 | screw m 12 x 150, d931     |
| 24 | 06209769 | 1 | nut m 12, d985             |
| 26 | 01133726 | 1 | washer 13                  |
| 27 | 01136453 | 1 | nut m 10                   |
| 28 | 01112439 | 1 | screw m 10 x 35, d933      |
| 29 | 01107163 | 3 | washer 9, d126             |
| 30 | 16055246 | 1 | tube                       |
| 31 | 16055267 | 1 | cover                      |



Thank you so much for reading.  
Please click the “Buy Now!”  
button below to download the  
complete manual.



After you pay.

You can download the most  
perfect and complete manual in  
the world immediately.

Our support email:

[ebooklibonline@outlook.com](mailto:ebooklibonline@outlook.com)