

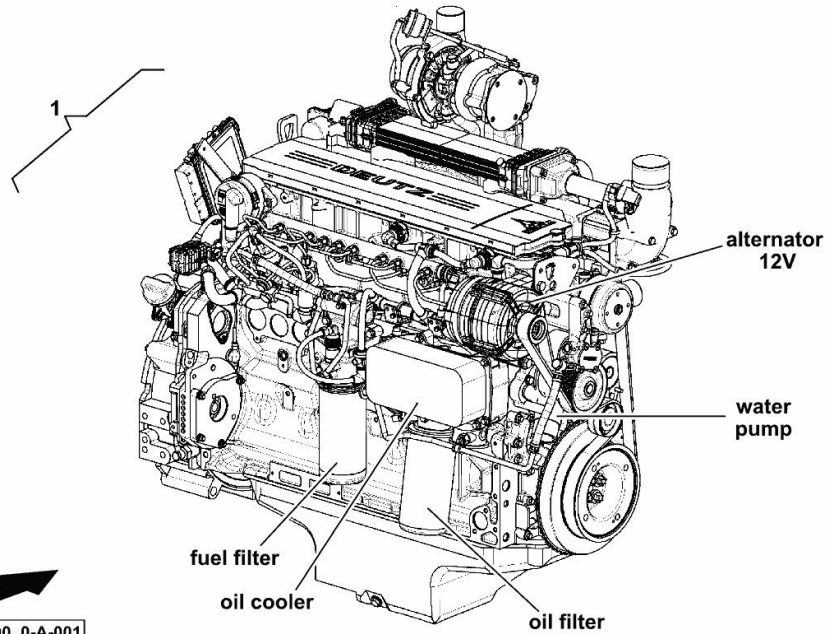
DEUTZ ENGINE 183 kW / 250 CV

| Fig. | P/n | QTY | Name |
|------|-----|-----|------|
|------|-----|-----|------|

Notes:

TCD 2012 L06-4V [5660 H COM 3 ->13500]

| | | | |
|---|----------|---|---|
| 1 | 25007810 | 1 | engine TCD 2012 L06-4V ON ORDERING PLEASE ENGINE NO. REQUIRED |
|---|----------|---|---|



H9_Z40A0_00_0-A-001

Section: B0 - ENGINE

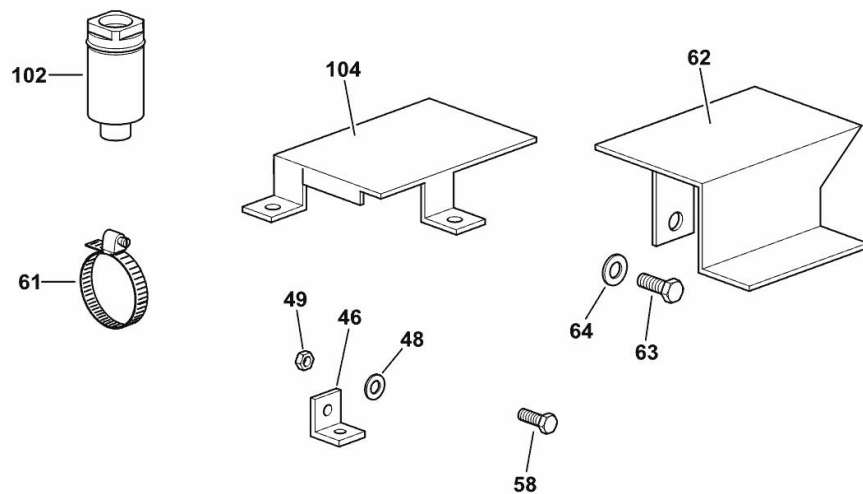
ACCESSORIES

| Fig. | P/n | QTY | Name |
|------|-----|-----|------|
|------|-----|-----|------|

Notes:

TCD 2012 L06-4V [5660 H COM 3 ->13500]

| | | | |
|-----|-------------|---|----------------------|
| 46 | 16006188/10 | 1 | support |
| 48 | 01102797 | 2 | washer 6, d128 |
| 49 | 01112813 | 2 | nut m 6 |
| 58 | 01112264 | 1 | screw m 6 x 20, d933 |
| 61 | 01100163 | 1 | clamp Ø 110/135 |
| 62 | 16062706 | 1 | guard |
| 63 | 01112299 | 1 | screw m 8 x 12, d933 |
| 64 | 01102799 | 1 | washer 8, d128 |
| 102 | 16064285 | 1 | connection |
| 104 | 16064187 | 1 | small guard |



H9_Z40A0_00_0-C-001

FASTENINGS

| Fig. | P/n | QTY | Name |
|------|-----|-----|------|
|------|-----|-----|------|

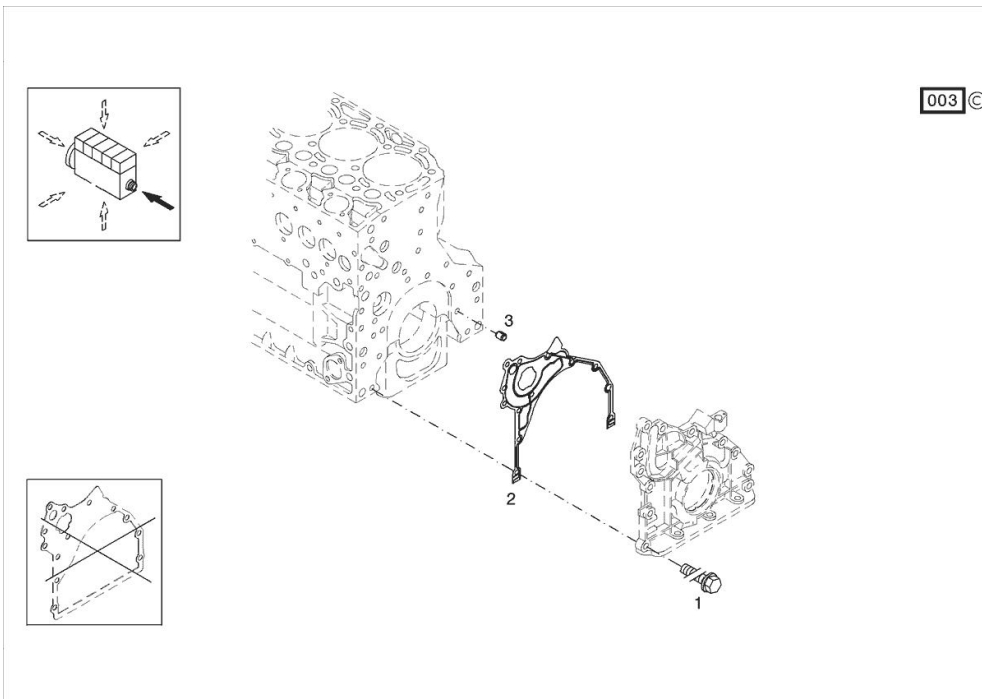
Notes:

[5660 H COM 3 ->13500]

Engine serial number:

10549260 10549261 10549268 10560438 10582122 10582124 10590190 10590193 10600156 10600159 10600160
10600162 10609438 10609440 10609442 10627112 10627128

| | | | |
|---|----------|----|---------------------------------------|
| 1 | 01183645 | 12 | screw EN 1662 -F-M8X35-10.9-ZNAL-A |
| 2 | 04504325 | 1 | gasket |
| 3 | 01181406 | 1 | bushing H 2341 -B11X8-FE/ZN12C* |



FASTENINGS

| Fig. | P/n | QTY | Name |
|------|-----|-----|------|
|------|-----|-----|------|

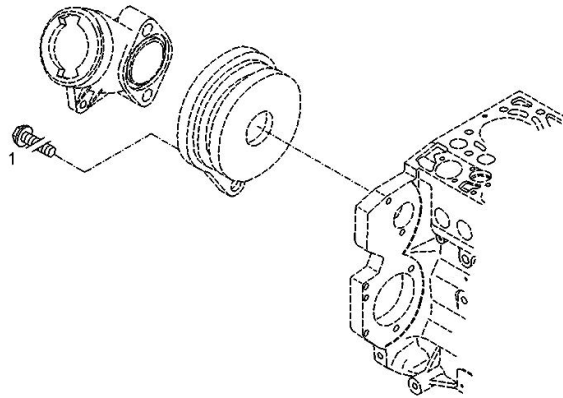
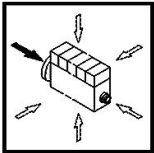
Notes:

[5660 H COM 3 ->13500]

Engine serial number:

10549260 10549261 10549268 10560438 10582122 10582124 10590190 10590193 10600156 10600159 10600160
10600162 10609438 10609440 10609442 10627112 10627128

| | | | |
|---|----------|---|--|
| 1 | 01181438 | 1 | screw 30 Nm EN 1662 -F-M8X55-10.9-ZNAL-A |
| 2 | 01181437 | 3 | screw 20 Nm EN 1662 -F-M8X45-10.9-ZNAL-A |



000

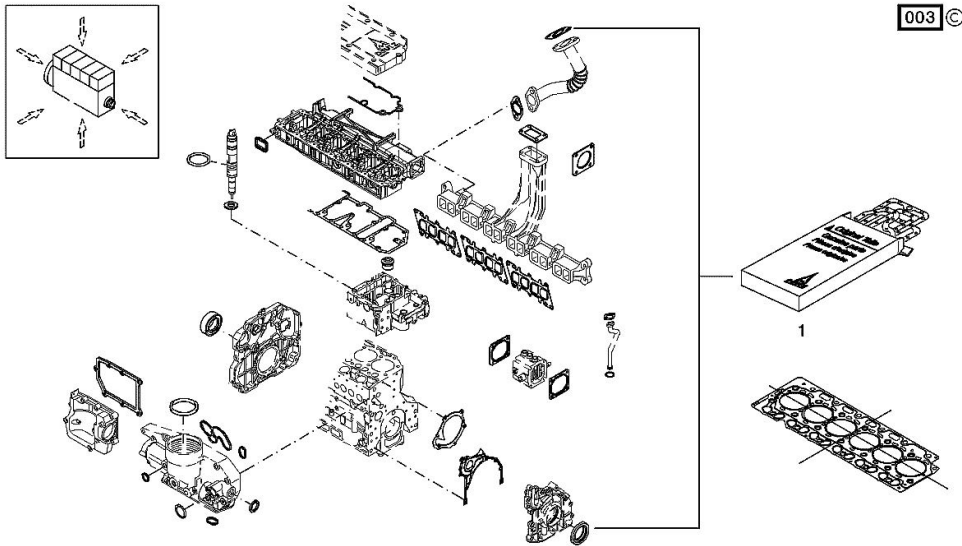
Section: B0 - ENGINE
SERIE GUARNIZIONI

| Fig. | P/n | QTY | Name |
|------|-----|-----|------|
|------|-----|-----|------|

Notes:
 [5660 H COM 3 ->13500]

Engine serial number:
 10549260 10549261 10549268 10560438 10582122 10582124 10590190 10590193 10600156 10600159 10600160
 10600162 10609438 10609440 10609442 10627112 10627128

| | | | |
|---|----------|---|--|
| 1 | 02937590 | 1 | gasket set THE KIT DOES NOT CONTAIN ALL THE GASKETS: SEE SM 0199-99-9449 |
|---|----------|---|--|



Section: B0 - ENGINE
CRANKCASE BREATHER

| Fig. | P/n | QTY | Name |
|------|-----|-----|------|
|------|-----|-----|------|

Notes:

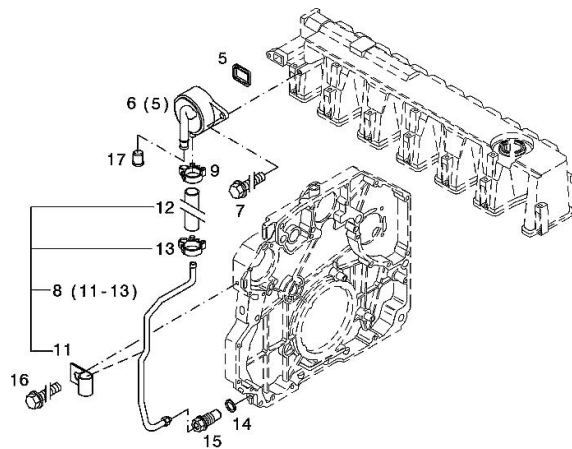
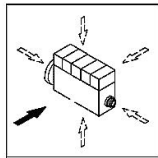
[5660 H COM 3 ->13500]

Engine serial number:

10549260 10549261 10549268 10560438 10582122 10582124 10590190 10590193 10600156 10600159 10600160
 10600162 10609438 10609440 10609442 10627112 10627128

| | | | |
|----|----------|---|--|
| 5 | 04298547 | 1 | rubber plug |
| 6 | 04905110 | 1 | breather WITH POS.... (5) |
| 7 | 01181432 | 2 | screw m8x30 EN 1662 -F-M8X30-10.9-ZNAL-A |
| 8 | 04504875 | 1 | tube WITH POS.... 11-13 |
| 9 | 01182878 | 1 | fascia H 3461 -F-13,0/8 |
| 11 | 02144961 | 1 | fascia |
| 12 | 04288505 | 1 | rubber tube H 3407 -F8X14X97-EAM/ARAMID/EAM |
| 13 | 01182878 | 1 | fascia H 3461 -F-13,0/8 |
| 14 | 01118737 | 1 | oil seal 22 x 27 DIN 7603 -A22X27-CU |
| 15 | 04505853 | 1 | pipe union |
| 16 | 01181442 | 1 | screw m6x12 EN 1662 -F-M6X12-10.9-ZNAL-A |
| 17 | 01161302 | 1 | bottom H 2873 -A25,5X22,8X17-PEWEICH |

002 ©



CRANKCASE

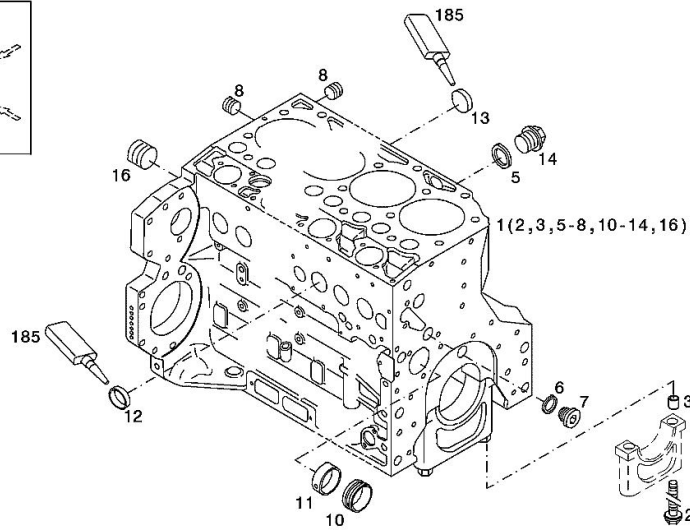
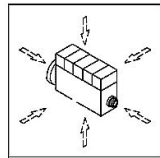
| Fig. | P/n | QTY | Name |
|------|-----|-----|------|
|------|-----|-----|------|

Notes:

[5660 H COM 3 ->13500]

Engine serial number:

10549260 10549261 10549268 10560438 10582122 10582124 10590190 10590193 10600156 10600159 10600160
10600162 10609438 10609440 10609442 10627112 10627128



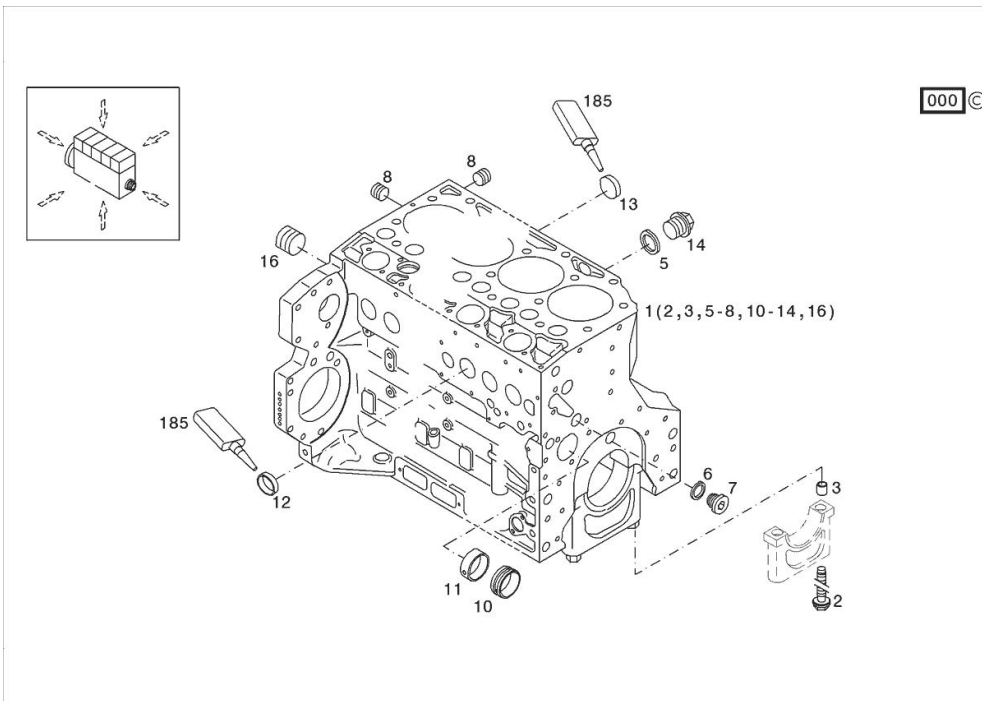
| | | | |
|-----|----------|----|--|
| 1 | 04296594 | 1 | crankcase WITH POS.... (2,3,5-8,10-14,16) |
| 2 | 04254240 | 14 | screw |
| 3 | 04160764 | 14 | bushing |
| 5 | 01118693 | 2 | gasket 14x20 DIN 7603 -A14X20-CU |
| 6 | 01101342 | 1 | oil seal DIN 7603 -D22X27-CU |
| 7 | 04292706 | 1 | plug |
| 8 | 01182031 | 2 | screw H 2812 -906-M14X1,5-ST-A3C-LOCTITE506 |
| 10 | 04251884 | 6 | plug |
| 11 | 04250086 | 1 | ring |
| 12 | 01148032 | 9 | cover DIN 443 -A45-ZNPHR |
| 13 | 01148031 | 5 | plug DIN 443 -A36-ZNPHR |
| 14 | 01100940 | 2 | screw DIN 7604 -AM14X1,5-ST-A4C |
| 16 | 04226536 | 1 | bottom |
| 185 | 01016125 | 1 | guard H 0699 -DEUTZDW72-250ML |

Section: B0 - ENGINE
KURBELGEHAEUSE

| Fig. | P/n | QTY | Name |
|------|-----|-----|------|
|------|-----|-----|------|

Notes:
 [5660 H COM 3 ->13500]

| | | | |
|-----|----------|----|---|
| 185 | 01319910 | 1 | guard |
| 1 | 04506860 | 1 | crankcase MIT POS.... (2,3,5-8,10-14,16) |
| 2 | 04254240 | 14 | screw 50 Nm , 90° , 90° |
| 3 | 04160764 | 14 | bushing |
| 5 | 01118693 | 2 | gasket 14x20 DIN 7603 -A14X20-CU |
| 6 | 01101342 | 1 | oil seal DIN 7603 -D22X27-CU |
| 7 | 04292706 | 1 | plug 80 Nm |
| 8 | 01182031 | 2 | screw 35 Nm H 2812 -906-M14X1,5-ST-A3C-LOCTITE506 |
| 10 | 04251884 | 6 | plug |
| 11 | 04250086 | 1 | ring |
| 12 | 01148032 | 9 | cover DIN 443 -A45-ZNPHR |
| 13 | 01148031 | 5 | plug DIN 443 -A36-ZNPHR |
| 14 | 01100940 | 2 | screw 35 Nm DIN 7604 -AM14X1,5-ST-A4C |
| 16 | 04226536 | 1 | bottom 30 Nm |



DIPSTICK

| Fig. | P/n | QTY | Name |
|------|-----|-----|------|
|------|-----|-----|------|

Notes:

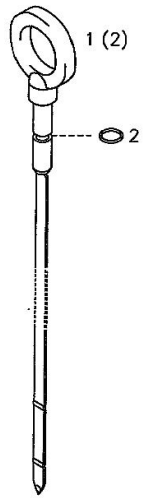
[5660 H COM 3 ->13500]

Engine serial number:

10549260 10549261 10549268 10560438 10582122 10582124 10590190 10590193 10600156 10600159 10600160
10600162 10609438 10609440 10609442 10627112 10627128

| | | | |
|----|----------|---|--|
| 1 | 01180110 | 1 | dipstick WITH POS.... (2) H 3535 -BG-683-650X13-OE |
| 2 | 01165973 | 1 | ring 5x1,5 H 2927 -5X1,5-NBR-1-60 |
| 10 | 01017932 | | ring Nr. material: only for calculating the quantity CALCULATION |

000



ACCESSORIES

| Fig. | P/n | QTY | Name |
|------|-----|-----|------|
|------|-----|-----|------|

Notes:

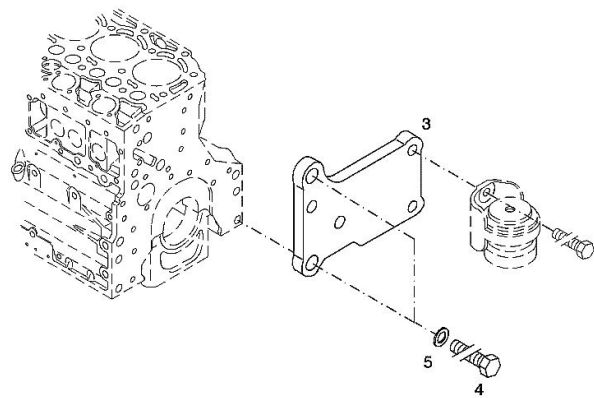
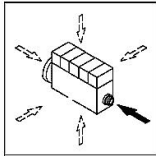
[5660 H COM 3 ->13500]

Engine serial number:

10549260 10549261 10549268 10560438 10582122 10582124 10590190 10590193 10600156 10600159 10600160
10600162 10609438 10609440 10609442 10627112 10627128

| | | | |
|---|----------|---|---------------------------------------|
| 3 | 04288659 | 1 | support |
| 4 | 01148261 | 2 | screw ISO 4017 -M16X40-10.9-ZNAL-A |
| 5 | 01181400 | 2 | washer H 2308 -18X25X1,5-A4C |

006 ©



Section: B0 - ENGINE

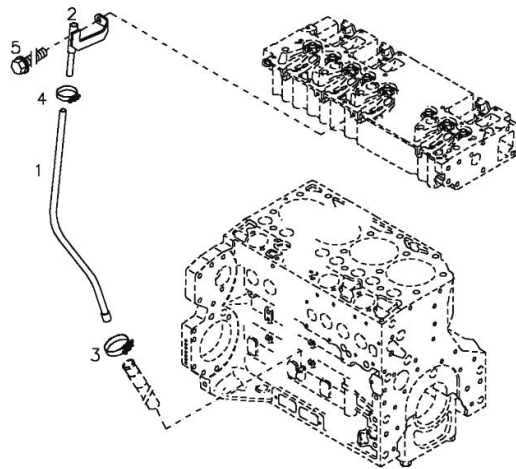
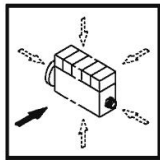
OIL MEASURING DEVICE

| Fig. | P/n | QTY | Name |
|------|-----|-----|------|
|------|-----|-----|------|

Notes:

[5660 H COM 3 ->13500]

| | | | |
|-----|----------|---|--|
| 950 | 01180461 | 1 | clamp H 3461 -F-15,0/8 |
| 1 | 04291689 | 1 | tube |
| 2 | 04291687 | 1 | support |
| 3 | 01166353 | 1 | fascia BIS BAUMONAT (A) AB BAUMONAT SIEHE POS. (B) A = 10.2015 B = Pos.950 2 Nm DIN 3017 -B1-15X9-W1-2 |
| 4 | 01166350 | 1 | fascia 2 Nm DIN 3017 -B1-12X9-W1-2 |
| 5 | 01181436 | 1 | screw 20 Nm EN 1662 -F-M8X16-LG2,5-10.9-ZNAL-A |



000 ©

Thank you so much for reading.
Please click the “Buy Now!”
button below to download the
complete manual.



After you pay.

You can download the most
perfect and complete manual in
the world immediately.

Our support email:

ebooklibonline@outlook.com