

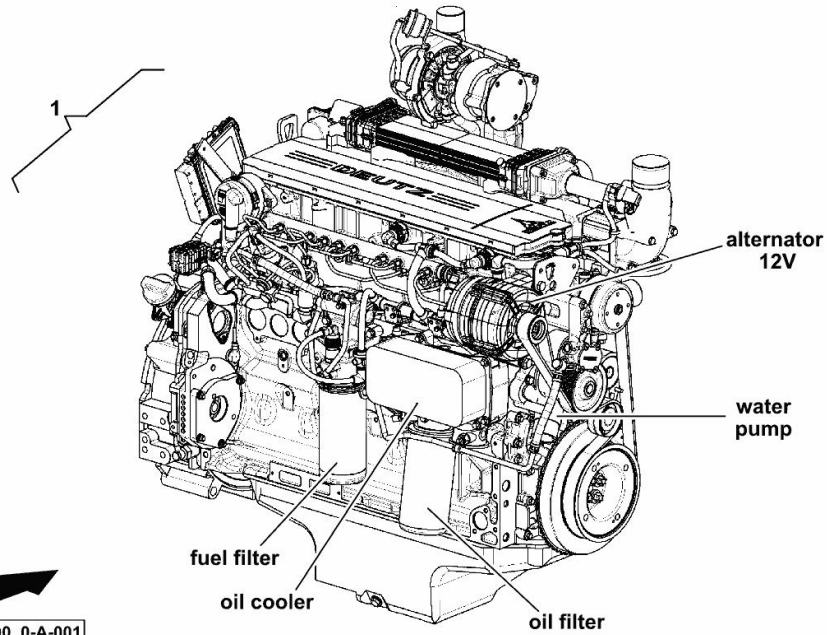
DEUTZ ENGINE 183 kW / 250 CV

Fig.	P/n	QTY	Name
------	-----	-----	------

Notes:

[5660 H COM 3 ->13900]

1	25007810	1	engine TCD 2012 L06-4V ON ORDERING PLEASE ENGINE NO. REQUIRED
---	----------	---	---



H9_Z40A0_00_0-A-001

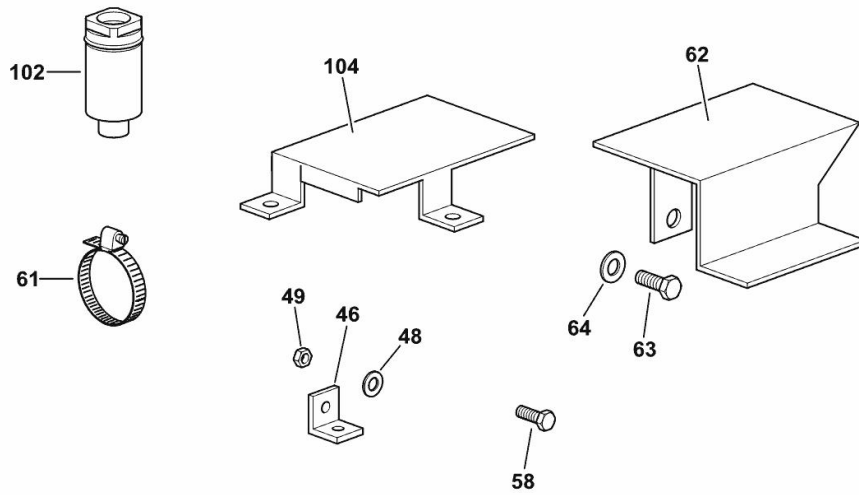
ACCESSORIES

Fig.	P/n	QTY	Name
------	-----	-----	------

Notes:

[5660 H COM 3 ->13900]

46	16006188/10	1	support
48	01102797	2	washer 6, d128
49	01112813	2	nut m 6
58	01112264	1	screw m 6 x 20, d933
61	01100163	1	clamp Ø 110/135
62	16062706	1	guard
63	01112299	1	screw m 8 x 12, d933
64	01102799	1	washer 8, d128
102	16064285	1	connection
104	16064187	1	small guard



H9_Z40A0_00_0-C-001

Section: B0 - ENGINE

FASTENINGS

Fig.	P/n	QTY	Name
------	-----	-----	------

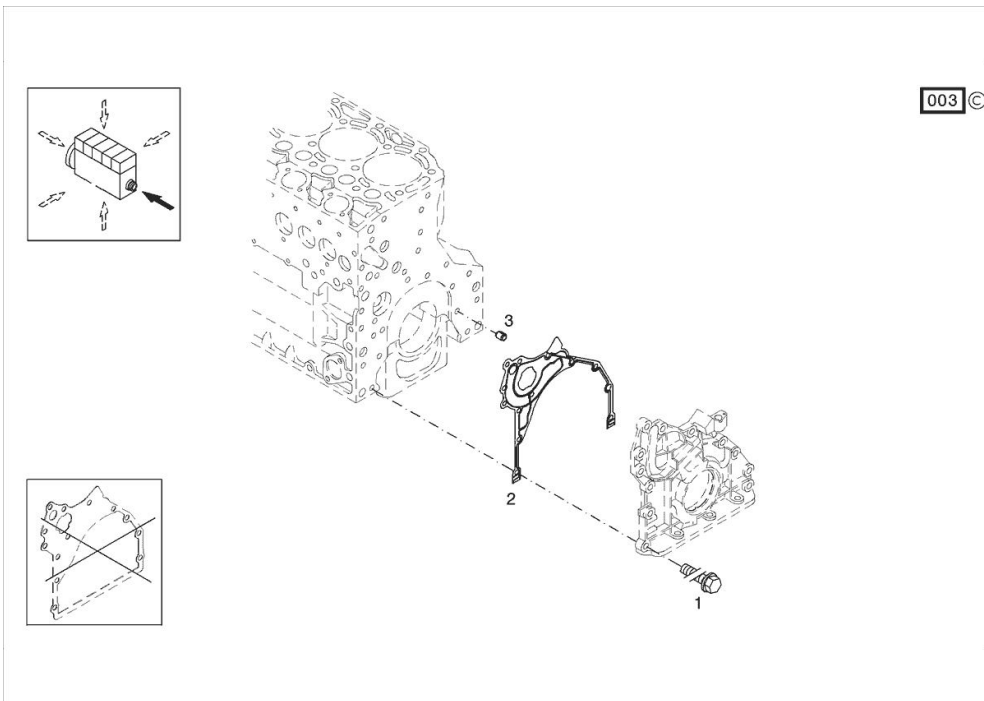
Notes:

[5660 H COM 3 ->13900]

Engine serial number:

10649319 10763848 10778229 10778233 10779649

1	01183645	12	screw EN 1662 -F-M8X35-10.9-ZNAL-A
2	04504325	1	gasket
3	01181406	1	bushing H 2341 -B11X8-FE/ZN12C*



Section: B0 - ENGINE

FASTENINGS

Fig.	P/n	QTY	Name
------	-----	-----	------

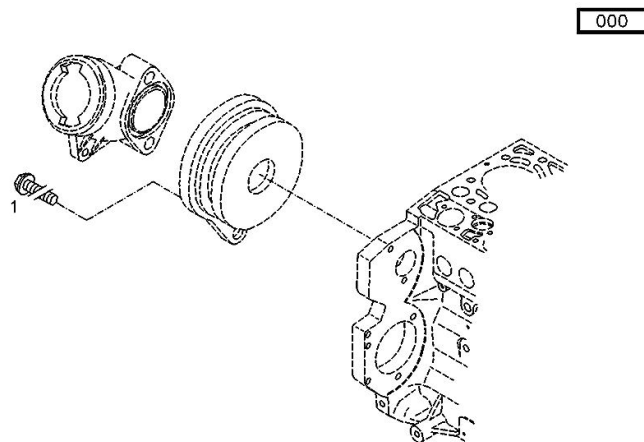
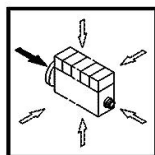
Notes:

[5660 H COM 3 ->13900]

Engine serial number:

10649319 10763848 10778229 10778233 10779649

1	01181438	1	screw 30 Nm EN 1662 -F-M8X55-10.9-ZNAL-A
2	01181437	3	screw 20 Nm EN 1662 -F-M8X45-10.9-ZNAL-A



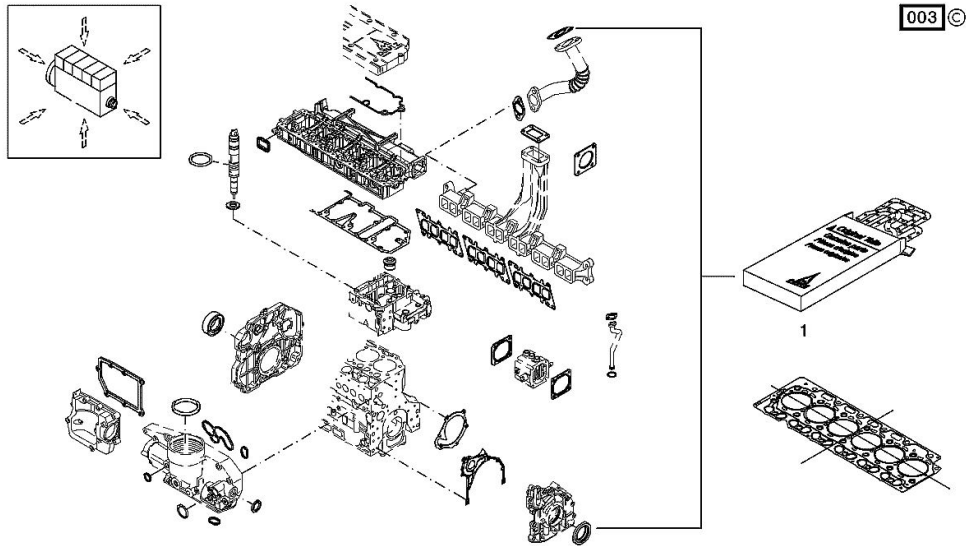
Section: B0 - ENGINE
SERIE GUARNIZIONI

Fig.	P/n	QTY	Name
------	-----	-----	------

Notes:
 [5660 H COM 3 ->13900]

Engine serial number:
 10649319 10763848 10778229 10778233 10779649

1	02937590	1	gasket set THE KIT DOES NOT CONTAIN ALL THE GASKETS: SEE SM 0199-99-9449
---	----------	---	--



Section: B0 - ENGINE
CRANKCASE BREATHER

Fig.	P/n	QTY	Name
------	-----	-----	------

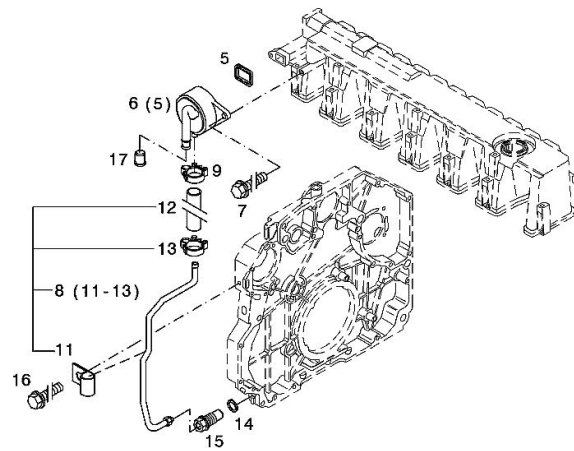
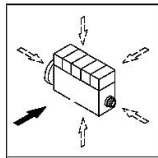
Notes:

[5660 H COM 3 ->13900]

Engine serial number:

10649319 10763848 10778229 10778233 10779649

002 ©



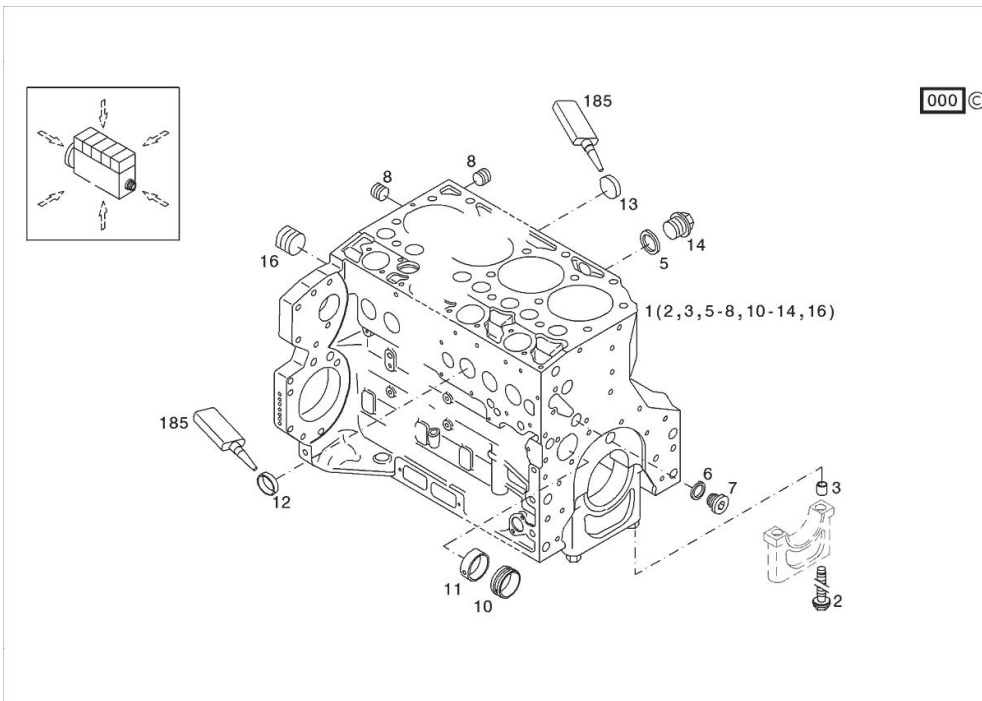
5	04298547	1	rubber plug
6	04905110	1	breather WITH POS.... (5)
7	01181432	2	screw m8x30 EN 1662 -F-M8X30-10.9-ZNAL-A
8	04504875	1	tube WITH POS.... 11-13
9	01182878	1	fascia H 3461 -F-13,0/8
11	02144961	1	fascia
12	04288505	1	rubber tube H 3407 -F8X14X97-EAM/ARAMID/EAM
13	01182878	1	fascia H 3461 -F-13,0/8
14	01118737	1	oil seal 22 x 27 DIN 7603 -A22X27-CU
15	04505853	1	pipe union
16	01181442	1	screw m6x12 EN 1662 -F-M6X12-10.9-ZNAL-A
17	01161302	1	bottom H 2873 -A25,5X22,8X17-PEWEICH

Section: B0 - ENGINE
KURBELGEHAEUSE

Fig.	P/n	QTY	Name
------	-----	-----	------

Notes:
 [5660 H COM 3 ->13900]

185	01319910	1	guard
1	04506860	1	crankcase MIT POS.... (2,3,5-8,10-14,16)
2	04254240	14	screw 50 Nm , 90° , 90°
3	04160764	14	bushing
5	01118693	2	gasket 14x20 DIN 7603 -A14X20-CU
6	01101342	1	oil seal DIN 7603 -D22X27-CU
7	04292706	1	plug 80 Nm
8	01182031	2	screw 35 Nm H 2812 -906-M14X1,5-ST-A3C-LOCTITE506
10	04251884	6	plug
11	04250086	1	ring
12	01148032	9	cover DIN 443 -A45-ZNPHR
13	01148031	5	plug DIN 443 -A36-ZNPHR
14	01100940	2	screw 35 Nm DIN 7604 -AM14X1,5-ST-A4C
16	04226536	1	bottom 30 Nm



Section: B0 - ENGINE

CRANKCASE

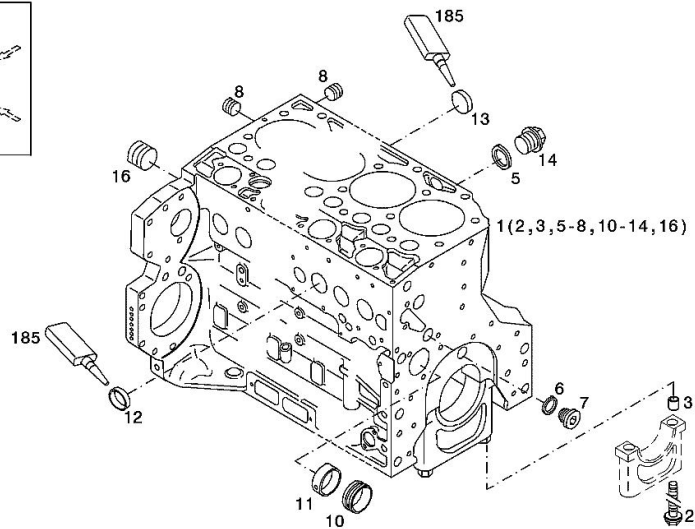
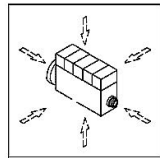
Fig.	P/n	QTY	Name
------	-----	-----	------

Notes:

[5660 H COM 3 ->13900]

Engine serial number:

10649319 10763848 10778229 10778233 10779649



1	04296594	1	crankcase WITH POS.... (2,3,5-8,10-14,16)
2	04254240	14	screw
3	04160764	14	bushing
5	01118693	2	gasket 14x20 DIN 7603 -A14X20-CU
6	01101342	1	oil seal DIN 7603 -D22X27-CU
7	04292706	1	plug
8	01182031	2	screw H 2812 -906-M14X1,5-ST-A3C-LOCTITE506
10	04251884	6	plug
11	04250086	1	ring
12	01148032	9	cover DIN 443 -A45-ZNPHR
13	01148031	5	plug DIN 443 -A36-ZNPHR
14	01100940	2	screw DIN 7604 -AM14X1,5-ST-A4C
16	04226536	1	bottom
185	01016125	1	guard H 0699 -DEUTZDW72-250ML

DIPSTICK

Fig.	P/n	QTY	Name
------	-----	-----	------

Notes:

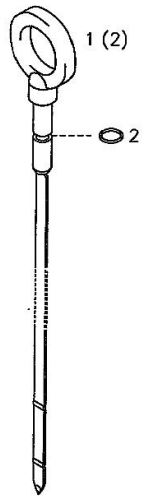
[5660 H COM 3 ->13900]

Engine serial number:

10649319 10763848 10778229 10778233 10779649

1	01180110	1	dipstick WITH POS.... (2) H 3535 -BG-683-650X13-OE
2	01165973	1	ring 5x1,5 H 2927 -5X1,5-NBR-1-60
10	01017932		ring Nr. material: only for calculating the quantity CALCULATION

000



Section: B0 - ENGINE

ACCESSORIES

Fig.	P/n	QTY	Name
------	-----	-----	------

Notes:

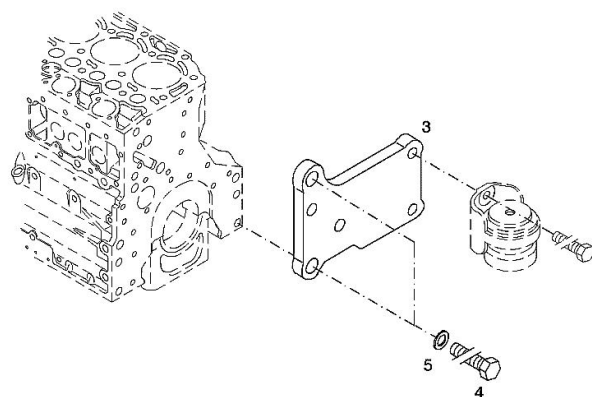
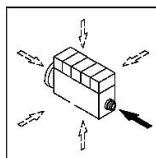
[5660 H COM 3 ->13900]

Engine serial number:

10649319 10763848 10778229 10778233 10779649

3	04288659	1	support
4	01148261	2	screw ISO 4017 -M16X40-10.9-ZNAL-A
5	01181400	2	washer H 2308 -18X25X1,5-A4C

006 ©



Section: B0 - ENGINE

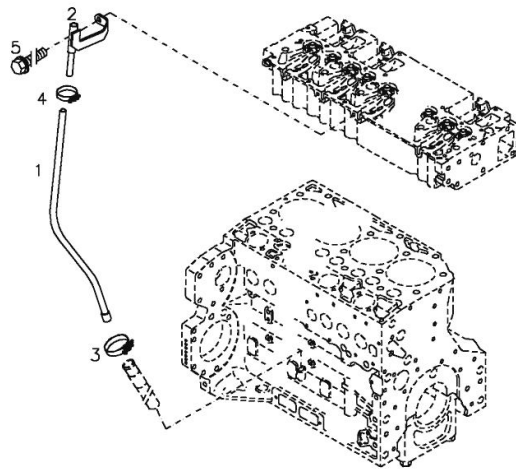
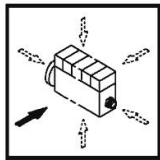
OIL MEASURING DEVICE

Fig.	P/n	QTY	Name
------	-----	-----	------

Notes:

[5660 H COM 3 ->13900]

950	01180461	1	clamp H 3461 -F-15,0/8
1	04291689	1	tube
2	04291687	1	support
3	01166353	1	fascia BIS BAUMONAT (A) AB BAUMONAT SIEHE POS. (B) A = 10.2015 B = Pos.950 2 Nm DIN 3017 -B1-15X9-W1-2
4	01166350	1	fascia 2 Nm DIN 3017 -B1-12X9-W1-2
5	01181436	1	screw 20 Nm EN 1662 -F-M8X16-LG2,5-10.9-ZNAL-A



000 ©

Thank you so much for reading.
Please click the “Buy Now!”
button below to download the
complete manual.



After you pay.

You can download the most
perfect and complete manual in
the world immediately.

Our support email:

ebooklibonline@outlook.com