

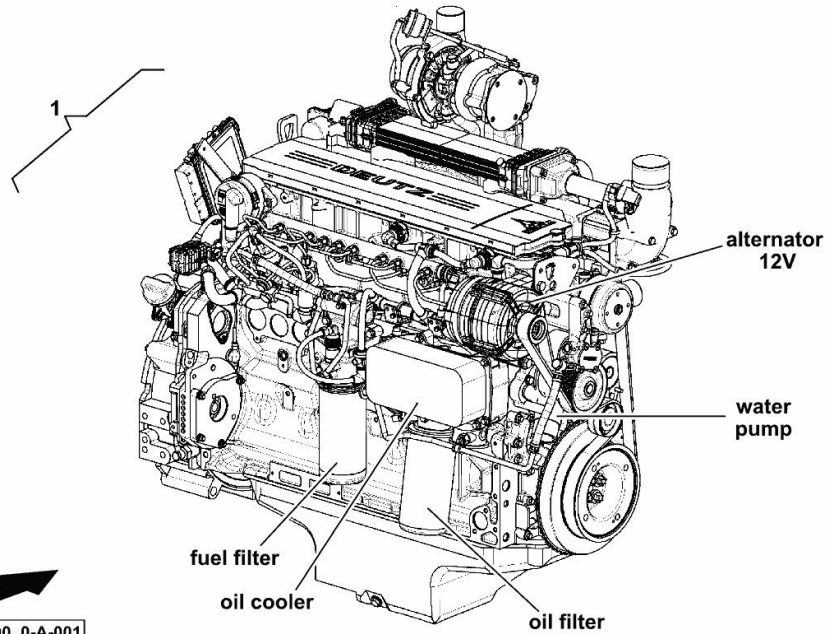
DEUTZ ENGINE 183 kW / 250 CV

Fig.	P/n	QTY	Name
------	-----	-----	------

Notes:

TCD 2012 L06-4V [5660 HTS COM 3 ->13500]

1	25007810	1	engine TCD 2012 L06-4V ON ORDERING PLEASE ENGINE NO. REQUIRED
---	----------	---	---



H9_Z40A0_00_0-A-001

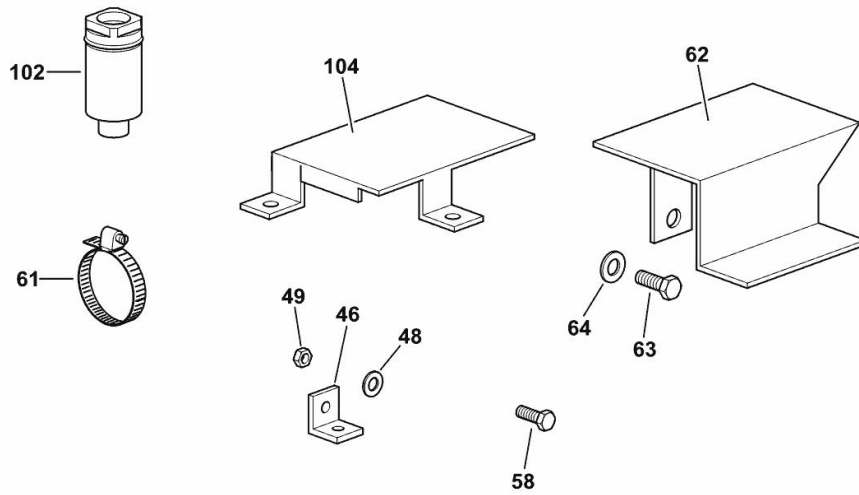
ACCESSORIES

Fig.	P/n	QTY	Name
------	-----	-----	------

Notes:

TCD 2012 L06-4V [5660 HTS COM 3 ->13500]

46	16006188/10	1	support
48	01102797	2	washer 6, d128
49	01112813	2	nut m 6
58	01112264	1	screw m 6 x 20, d933
61	01100163	1	clamp Ø 110/135
62	16062706	1	guard
63	01112299	1	screw m 8 x 12, d933
64	01102799	1	washer 8, d128
102	16064285	1	connection
104	16064187	1	small guard



H9_Z40A0_00_0-C-001

FASTENINGS

Fig.	P/n	QTY	Name
------	-----	-----	------

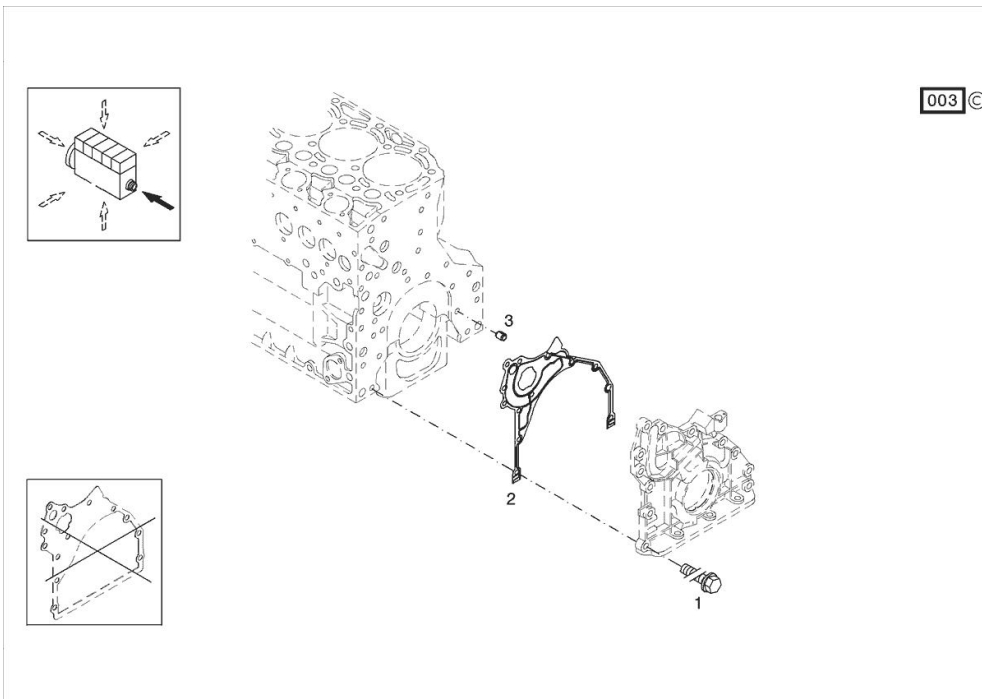
Notes:

[5660 HTS COM 3 ->13500]

Engine serial number:

10518745 10518746 10518747 10518748 10518749 10549259 10549262 10549263 10549264 10549265 10549266
 10549267 10560434 10560435 10560436 10560437 10560439 10560440 10560441 10560442 10560443 10582116
 10582117 10582118 10582119 10582120 10582121 10582123 10582125 10590188 10590189 10590191 10590192
 10590194 10590195 10590196 10600153 10600154 10600155 10600157 10600158 10600161 10609439 10609441
 10609443 10609444 10609445 10609446 10609447 10623972 10627113 10627114 10627115 10627117 10627118
 10627119 10627120 10627121 10627122 10627123 10627124 10627125 10627126 10627127 10627129 10627130
 10740224 10740225 10740226 10740227 10740228 10740229 10740230 10740231 10740232 10740233

1	01183645	12	screw EN 1662 -F-M8X35-10.9-ZNAL-A
2	04504325	1	gasket
3	01181406	1	bushing H 2341 -B11X8-FE/ZN12C*



FASTENINGS

Fig.	P/n	QTY	Name
------	-----	-----	------

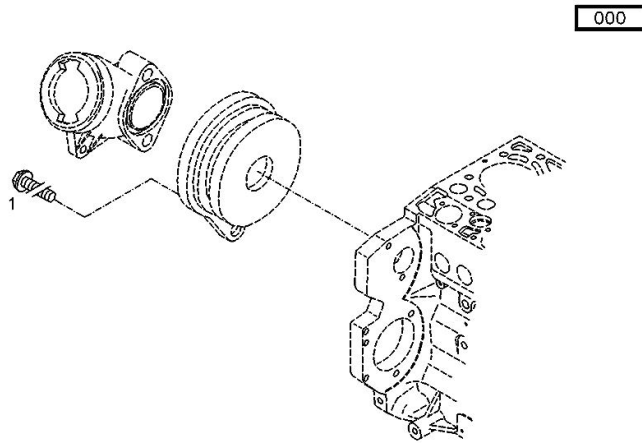
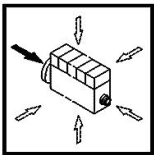
Notes:

[5660 HTS COM 3 ->13500]

Engine serial number:

10518745 10518746 10518747 10518748 10518749 10549259 10549262 10549263 10549264 10549265 10549266
 10549267 10560434 10560435 10560436 10560437 10560439 10560440 10560441 10560442 10560443 10582116
 10582117 10582118 10582119 10582120 10582121 10582123 10582125 10590188 10590189 10590191 10590192
 10590194 10590195 10590196 10600153 10600154 10600155 10600157 10600158 10600161 10609439 10609441
 10609443 10609444 10609445 10609446 10609447 10623972 10627113 10627114 10627115 10627117 10627118
 10627119 10627120 10627121 10627122 10627123 10627124 10627125 10627126 10627127 10627129 10627130
 10740224 10740225 10740226 10740227 10740228 10740229 10740230 10740231 10740232 10740233

1	01181438	1	screw 30 Nm EN 1662 -F-M8X55-10.9-ZNAL-A
2	01181437	3	screw 20 Nm EN 1662 -F-M8X45-10.9-ZNAL-A



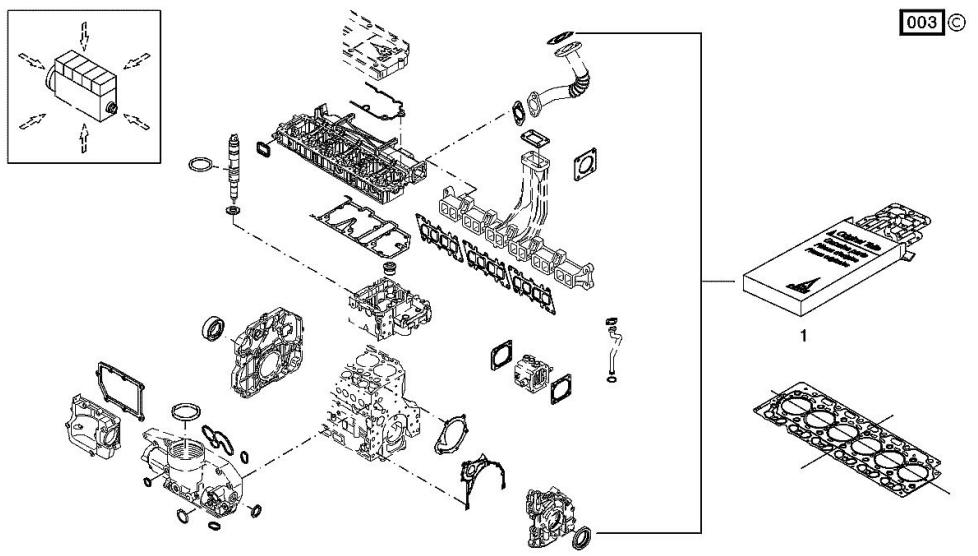
Section: B0 - ENGINE
SERIE GUARNIZIONI

Fig.	P/n	QTY	Name
------	-----	-----	------

Notes:
 [5660 HTS COM 3 ->13500]

Engine serial number:
 10518745 10518746 10518747 10518748 10518749 10549259 10549262 10549263 10549264 10549265 10549266
 10549267 10560434 10560435 10560436 10560437 10560439 10560440 10560441 10560442 10560443 10582116
 10582117 10582118 10582119 10582120 10582121 10582123 10582125 10590188 10590189 10590191 10590192
 10590194 10590195 10590196 10600153 10600154 10600155 10600157 10600158 10600161 10609439 10609441
 10609443 10609444 10609445 10609446 10609447 10623972 10627113 10627114 10627115 10627117 10627118
 10627119 10627120 10627121 10627122 10627123 10627124 10627125 10627126 10627127 10627129 10627130
 10740224 10740225 10740226 10740227 10740228 10740229 10740230 10740231 10740232 10740233

1	02937590	1	gasket set THE KIT DOES NOT CONTAIN ALL THE GASKETS: SEE SM 0199-99-9449
---	----------	---	--



Section: B0 - ENGINE
CRANKCASE BREATHER

Fig.	P/n	QTY	Name
------	-----	-----	------

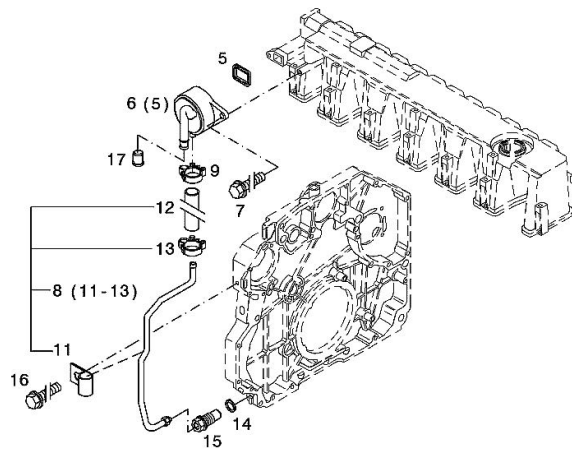
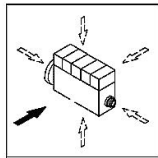
Notes:

[5660 HTS COM 3 ->13500]

Engine serial number:

10518745 10518746 10518747 10518748 10518749 10549259 10549262 10549263 10549264 10549265 10549266
 10549267 10560434 10560435 10560436 10560437 10560439 10560440 10560441 10560442 10560443 10582116
 10582117 10582118 10582119 10582120 10582121 10582123 10582125 10590188 10590189 10590191 10590192
 10590194 10590195 10590196 10600153 10600154 10600155 10600157 10600158 10600161 10609439 10609441
 10609443 10609444 10609445 10609446 10609447 10623972 10627113 10627114 10627115 10627117 10627118
 10627119 10627120 10627121 10627122 10627123 10627124 10627125 10627126 10627127 10627129 10627130
 10740224 10740225 10740226 10740227 10740228 10740229 10740230 10740231 10740232 10740233

002 ©



5	04298547	1	rubber plug
6	04905110	1	breather WITH POS.... (5)
7	01181432	2	screw m8x30 EN 1662 -F-M8X30-10.9-ZNAL-A
8	04504875	1	tube WITH POS.... 11-13
9	01182878	1	fascia H 3461 -F-13,0/8
11	02144961	1	fascia
12	04288505	1	rubber tube H 3407 -F8X14X97-EAM/ARAMID/EAM
13	01182878	1	fascia H 3461 -F-13,0/8
14	01118737	1	oil seal 22 x 27 DIN 7603 -A22X27-CU
15	04505853	1	pipe union
16	01181442	1	screw m6x12 EN 1662 -F-M6X12-10.9-ZNAL-A
17	01161302	1	bottom H 2873 -A25,5X22,8X17-PEWEICH

Section: B0 - ENGINE

CRANKCASE

Fig.	P/n	QTY	Name
------	-----	-----	------

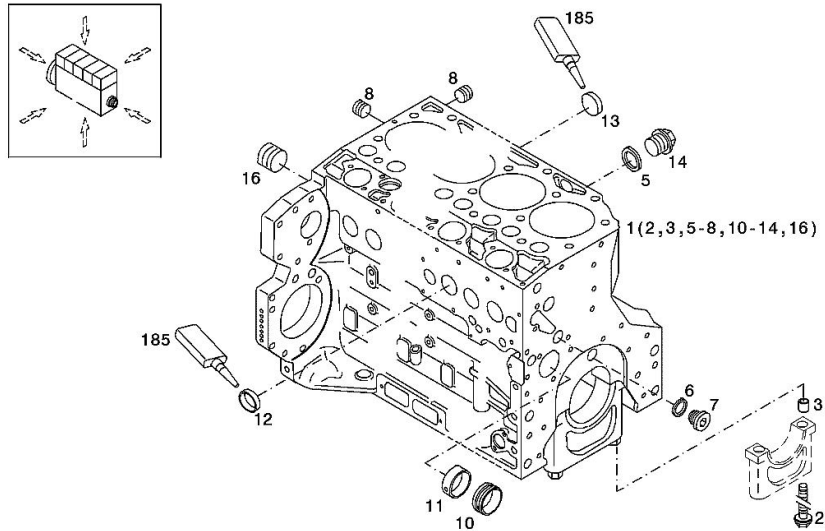
Notes:

[5660 HTS COM 3 ->13500]

Engine serial number:

10518745 10518746 10518747 10518748 10518749 10549259 10549262 10549263 10549264 10549265 10549266
 10549267 10560434 10560435 10560436 10560437 10560439 10560440 10560441 10560442 10560443 10582116
 10582117 10582118 10582119 10582120 10582121 10582123 10582125 10590188 10590189 10590191 10590192
 10590194 10590195 10590196 10600153 10600154 10600155 10600157 10600158 10600161 10609439 10609441
 10609443 10609444 10609445 10609446 10609447 10623972 10627113 10627114 10627115 10627117 10627118
 10627119 10627120 10627121 10627122 10627123 10627124 10627125 10627126 10627127 10627129 10627130
 10740224 10740225 10740226 10740227 10740228 10740229 10740230 10740231 10740232 10740233

000 ©



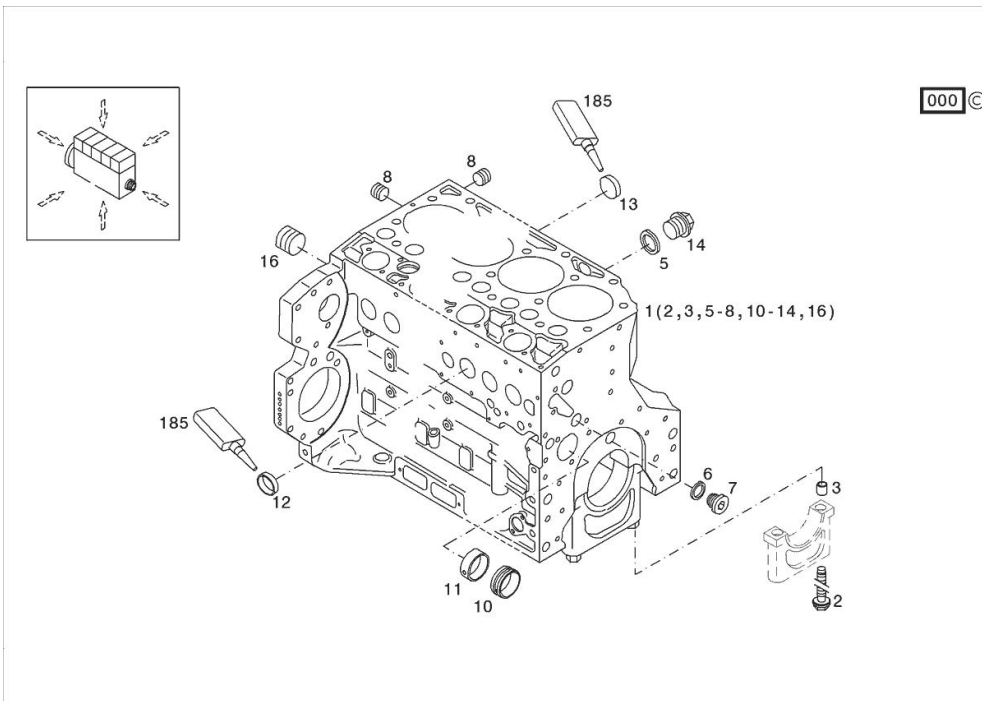
1	04296594	1	crankcase WITH POS.... (2,3,5-8,10-14,16)
2	04254240	14	screw
3	04160764	14	bushing
5	01118693	2	gasket 14x20 DIN 7603 -A14X20-CU
6	01101342	1	oil seal DIN 7603 -D22X27-CU
7	04292706	1	plug
8	01182031	2	screw H 2812 -906-M14X1,5-ST-A3C-LOCTITE506
10	04251884	6	plug
11	04250086	1	ring
12	01148032	9	cover DIN 443 -A45-ZNPHR
13	01148031	5	plug DIN 443 -A36-ZNPHR
14	01100940	2	screw DIN 7604 -AM14X1,5-ST-A4C
16	04226536	1	bottom
185	01016125	1	guard H 0699 -DEUTZDW72-250ML

Section: B0 - ENGINE
KURBELGEHAEUSE

Fig.	P/n	QTY	Name
------	-----	-----	------

Notes:
 [5660 HTS COM 3 ->13500]

185	01319910	1	guard
1	04506860	1	crankcase MIT POS.... (2,3,5-8,10-14,16)
2	04254240	14	screw 50 Nm , 90° , 90°
3	04160764	14	bushing
5	01118693	2	gasket 14x20 DIN 7603 -A14X20-CU
6	01101342	1	oil seal DIN 7603 -D22X27-CU
7	04292706	1	plug 80 Nm
8	01182031	2	screw 35 Nm H 2812 -906-M14X1,5-ST-A3C-LOCTITE506
10	04251884	6	plug
11	04250086	1	ring
12	01148032	9	cover DIN 443 -A45-ZNPHR
13	01148031	5	plug DIN 443 -A36-ZNPHR
14	01100940	2	screw 35 Nm DIN 7604 -AM14X1,5-ST-A4C
16	04226536	1	bottom 30 Nm



DIPSTICK

Fig.	P/n	QTY	Name
------	-----	-----	------

Notes:

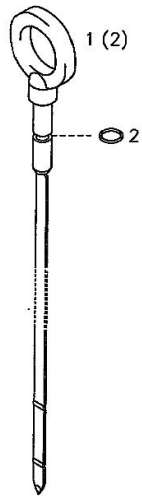
[5660 HTS COM 3 ->13500]

Engine serial number:

10518745 10518746 10518747 10518748 10518749 10549259 10549262 10549263 10549264 10549265 10549266
 10549267 10560434 10560435 10560436 10560437 10560439 10560440 10560441 10560442 10560443 10582116
 10582117 10582118 10582119 10582120 10582121 10582123 10582125 10590188 10590189 10590191 10590192
 10590194 10590195 10590196 10600153 10600154 10600155 10600157 10600158 10600161 10609439 10609441
 10609443 10609444 10609445 10609446 10609447 10623972 10627113 10627114 10627115 10627117 10627118
 10627119 10627120 10627121 10627122 10627123 10627124 10627125 10627126 10627127 10627129 10627130
 10740224 10740225 10740226 10740227 10740228 10740229 10740230 10740231 10740232 10740233

000

1	01180110	1	dipstick WITH POS.... (2) H 3535 -BG-683-650X13-OE
2	01165973	1	ring 5x1,5 H 2927 -5X1,5-NBR-1-60
10	01017932		ring Nr. material: only for calculating the quantity CALCULATION



ACCESSORIES

Fig.	P/n	QTY	Name
------	-----	-----	------

Notes:

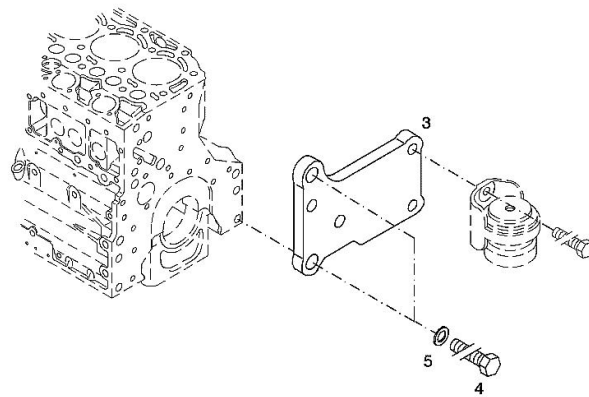
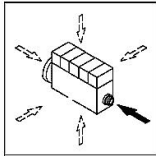
[5660 HTS COM 3 ->13500]

Engine serial number:

10518745 10518746 10518747 10518748 10518749 10549259 10549262 10549263 10549264 10549265 10549266
 10549267 10560434 10560435 10560436 10560437 10560439 10560440 10560441 10560442 10560443 10582116
 10582117 10582118 10582119 10582120 10582121 10582123 10582125 10590188 10590189 10590191 10590192
 10590194 10590195 10590196 10600153 10600154 10600155 10600157 10600158 10600161 10609439 10609441
 10609443 10609444 10609445 10609446 10609447 10623972 10627113 10627114 10627115 10627117 10627118
 10627119 10627120 10627121 10627122 10627123 10627124 10627125 10627126 10627127 10627129 10627130
 10740224 10740225 10740226 10740227 10740228 10740229 10740230 10740231 10740232 10740233

006 ©

3	04288659	1	support
4	01148261	2	screw ISO 4017 -M16X40-10.9-ZNAL-A
5	01181400	2	washer H 2308 -18X25X1,5-A4C



Section: B0 - ENGINE

OIL MEASURING DEVICE

Fig.	P/n	QTY	Name
------	-----	-----	------

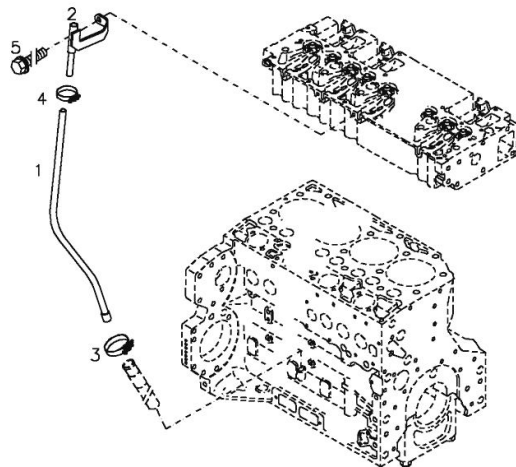
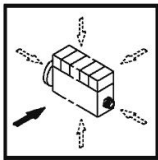
Notes:

[5660 HTS COM 3 ->13500]

Engine serial number:

10518745 10518746 10518747 10518748 10518749

950	01180461	1	clamp H 3461 -F-15,0/8
1	04291689	1	tube
2	04291687	1	support
3	01166353	1	fascia BIS BAUMONAT (A) AB BAUMONAT SIEHE POS. (B) A = 10.2015 B = Pos.950 2 Nm DIN 3017 -B1-15X9-W1-2
4	01166350	1	fascia 2 Nm DIN 3017 -B1-12X9-W1-2
5	01181436	1	screw 20 Nm EN 1662 -F-M8X16-LG2,5-10.9-ZNAL-A



Thank you so much for reading.
Please click the “Buy Now!”
button below to download the
complete manual.



After you pay.

You can download the most
perfect and complete manual in
the world immediately.

Our support email:

ebooklibonline@outlook.com