

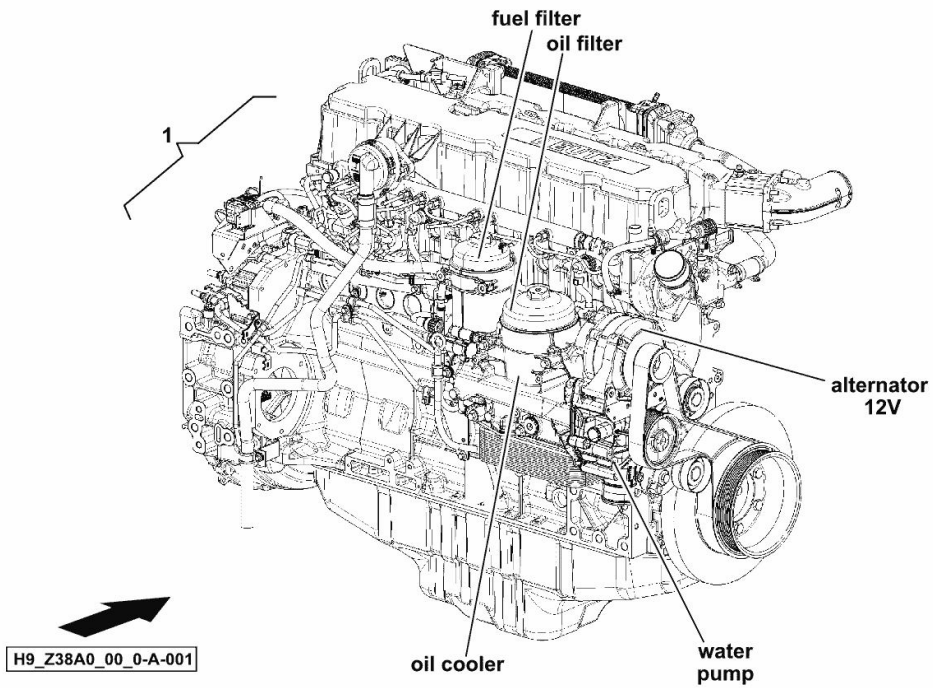
DEUTZ ENGINE 228 kW / 310 CV

Fig.	P/n	QTY	Name
------	-----	-----	------

Notes:

[5665 HTS COM 3 ->13900]

1	25007609	1	engine TCD 2013 L06-4V ON ORDERING PLEASE ENGINE NO. REQUIRED
---	----------	---	---



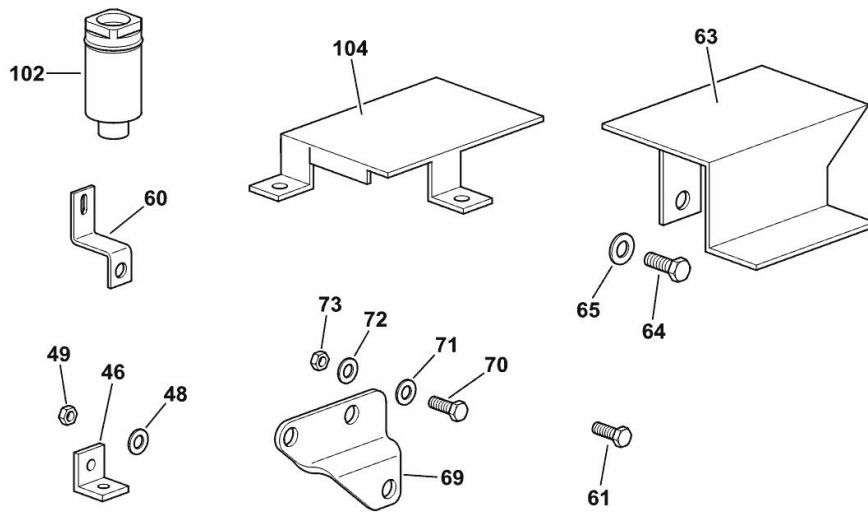
ACCESSORIES

Fig.	P/n	QTY	Name
------	-----	-----	------

Notes:

[5665 HTS COM 3 ->13900]

46	16006188	1	angular
48	01102797	2	washer 6, d128
49	01112813	2	nut m 6
60	16062441	1	square
61	01112264	1	screw m 6 x 20, d933
63	16062706	1	guard
64	01112299	1	screw m 8 x 12, d933
65	01102799	1	washer 8, d128
69	0.017.5544.0	1	bracket
70	2.0114.207.2	2	screw m 8 p.1.25 x 20
71	2.1474.009.2	1	spring washer 8
72	2.1310.004.2	2	flat washer 8.4x17
73	2.1120.005.2	1	nut m 8 p.1.25
102	16064238	1	vent
104	16064187	1	small guard



H9_Z38A0_00_0-C-001

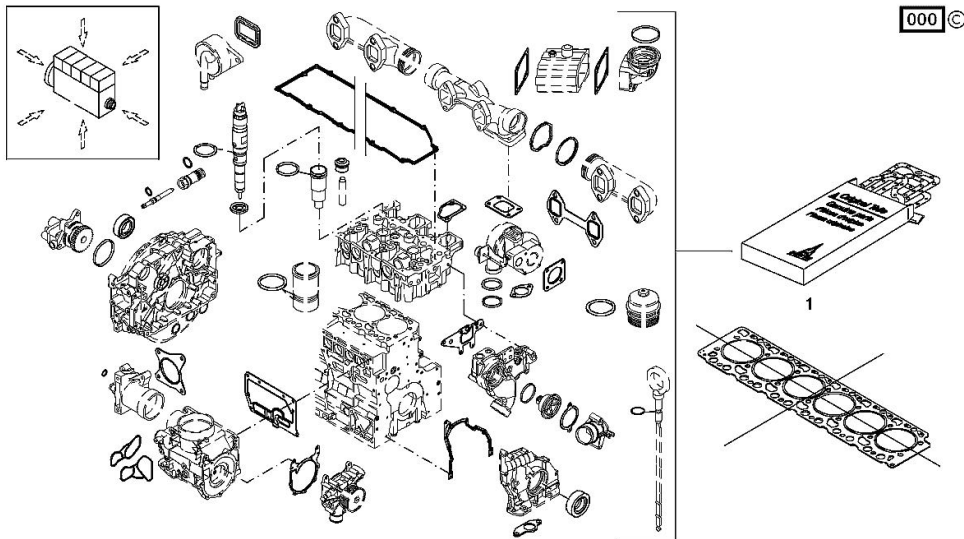
Section: B0 - ENGINE
SERIE GUARNIZIONI

Fig.	P/n	QTY	Name
------	-----	-----	------

Notes:

[5665 HTS COM 3 ->13900]

1	02937644	1	gasket set THE KIT DOES NOT CONTAIN ALL THE GASKETS: SEE SM 0199-99-9449
---	----------	---	--



FASTENINGS

Fig.	P/n	QTY	Name
------	-----	-----	------

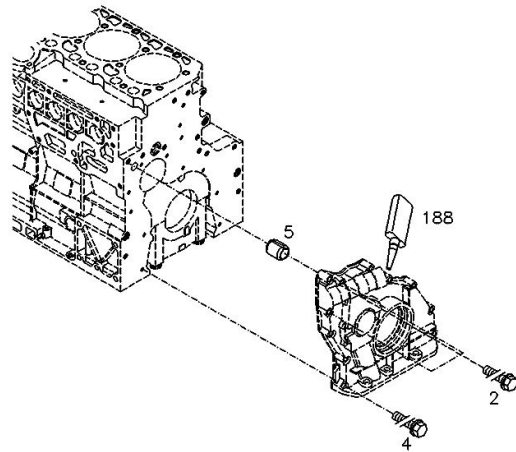
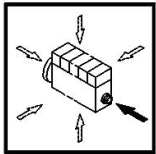
Notes:

[5665 HTS COM 3 ->13900]

Engine serial number:

10755402 10768182 10773068 10781721

2	01180114	3	screw EN 1662 -F-M8X70-10.9-GESCHW
4	01143362	8	screw EN 1662 -F-M8X35-10.9-A4C
5	01181406	1	bushing H 2341 -B11X8-FE/ZN12C*
6	04294952	1	gasket
188	01016122	1	gasket H 0699 -DEUTZDW67-250ML



000 ©

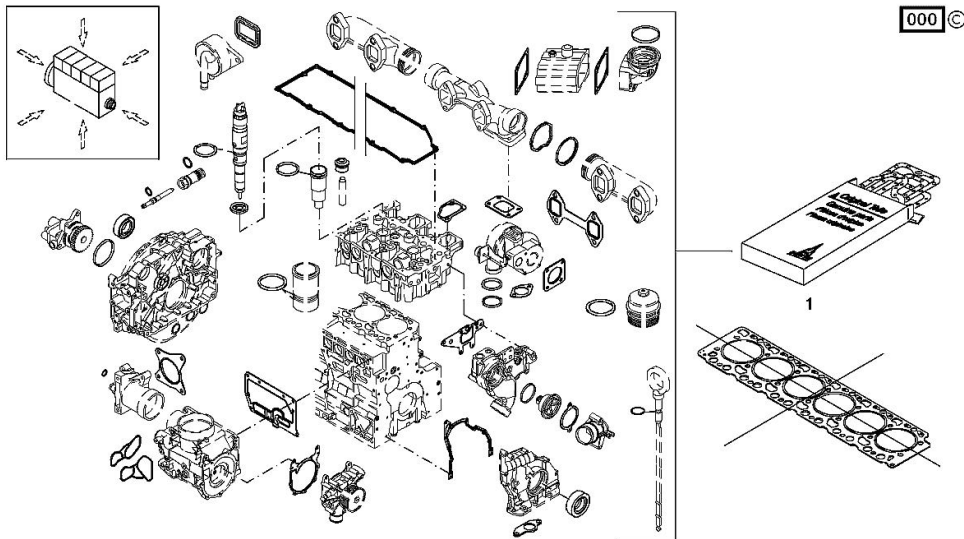
Section: B0 - ENGINE
SERIE GUARNIZIONI

Fig.	P/n	QTY	Name
------	-----	-----	------

Notes:

[5665 HTS COM 3 ->13900]

1	02937481	1	gasket set THE KIT DOES NOT CONTAIN ALL THE GASKETS: SEE SM 0199-99-9449
---	----------	---	--



Section: B0 - ENGINE
SERIE GUARNIZIONI

Fig.	P/n	QTY	Name
------	-----	-----	------

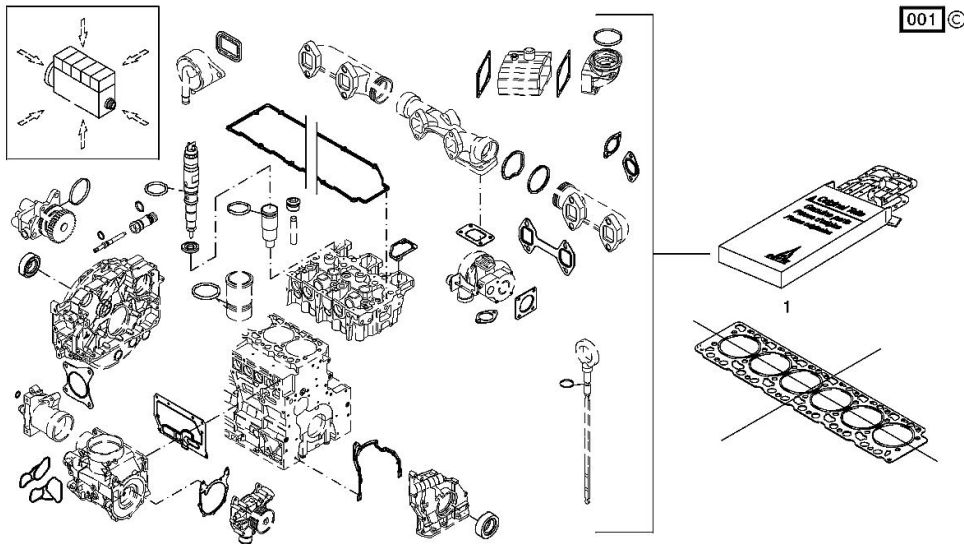
Notes:

[5665 HTS COM 3 ->13900]

Engine serial number:

10755402 10768182 10773068 10781721

1	02931818	1	gasket set THE KIT DOES NOT CONTAIN ALL THE GASKETS: SEE SM 0199-99-9449
---	----------	---	--



Section: B0 - ENGINE

BLEEDING TUBE

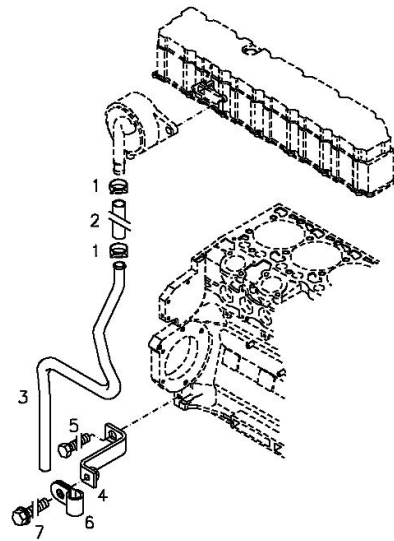
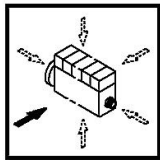
Fig.	P/n	QTY	Name
------	-----	-----	------

Notes:

[5665 HTS COM 3 ->13900]

1	01178750	2	clamp DIN 3021 -A-29X15
2	01178053	1	rubber tube H 3407 -22X29X65
3	04903157	1	tube
4	04903847	1	support
5	01127056	1	screw DIN 933 -M12X20-10.9-A4C
6	01176230	1	fascia H 3223 -C22X15-ST/MVQ-1-70
7	01181439	1	screw EN 1662 -F-M6X16-10.9-ZNAL-A

000 ©



Section: B0 - ENGINE

BLEEDING TUBE

Fig.	P/n	QTY	Name
------	-----	-----	------

Notes:

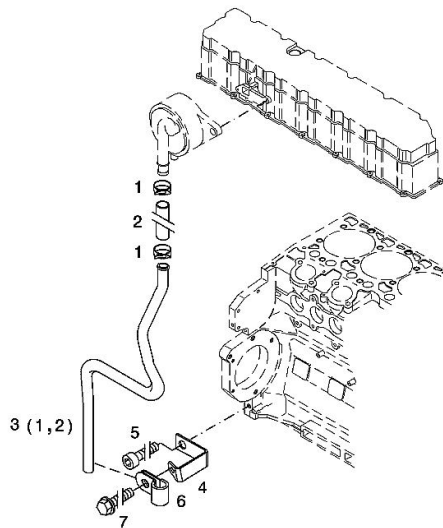
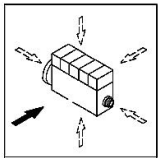
[5665 HTS COM 3 ->13900]

Engine serial number:

10755402 10768182 10773068 10781721

1	01178750	2	clamp DIN 3021 -A-29X15
2	01183057	1	rubber sleeve H 3407 -F22X30X65EAM*
3	04905322	1	tube WITH POS.... 1,2
4	04906422	1	bracket
5	01110746	1	screw m 12 x 20 ISO 4762 -M12X20-8.8-A4C
6	01176230	1	fascia H 3223 -C22X15-ST/MVQ-1-70
7	01181439	1	screw EN 1662 -F-M6X16-10.9-ZNAL-A

000 ©

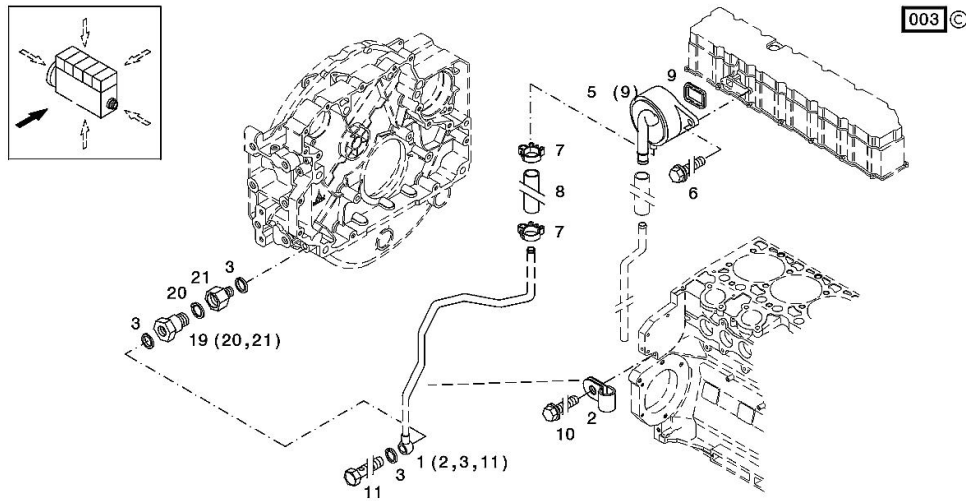


Section: B0 - ENGINE
CRANKCASE BREATHER

Fig.	P/n	QTY	Name
------	-----	-----	------

Notes:

[5665 HTS COM 3 ->13900]



1	04905228	1	tube WITH POS.... (2,3,11)
2	01175559	3	fascia H 3223 -C8X15-ST/MVQ-1-70
3	01118673	3	oil seal DIN 7603 -A12X15,5-CU
5	04905110	1	breather WITH POS.... 9
6	01181432	2	screw m8x30 EN 1662 -F-M8X30-10.9-ZNAL-A
7	01180071	2	fascia H 3461 -F-14,0/8
8	01174783	1	rubber tube H 3430 -A8X14X70
9	04298547	1	rubber plug
10	01181442	1	screw m6x12 EN 1662 -F-M6X12-10.9-ZNAL-A
11	01119241	1	pipe union m 12 p.1.5 DIN 7643 -8
19	04905469	1	pipe fitting WITH POS.... (20,21)
20	01118737	1	oil seal 22 x 27 DIN 7603 -A22X27-CU
21	04904834	1	adapter

CRANKCASE BREATHER

Fig.	P/n	QTY	Name
------	-----	-----	------

Notes:

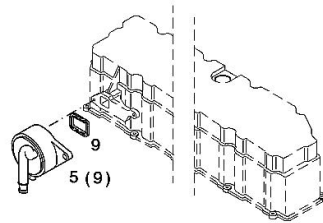
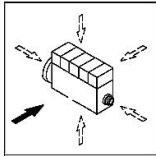
[5665 HTS COM 3 ->13900]

Engine serial number:

10755402 10768182 10773068 10781721

5	04905110	1	breather WITH POS.... 9
9	04298547	1	rubber plug

000 ©



FRONT COVER

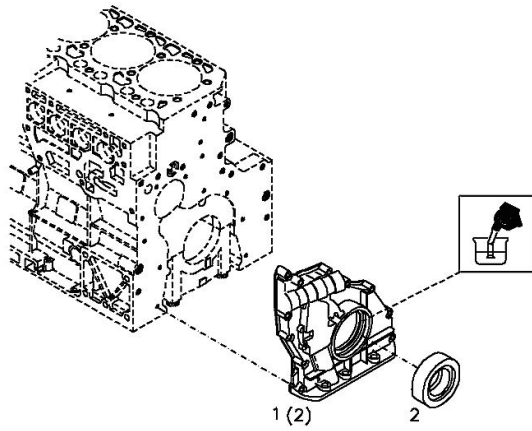
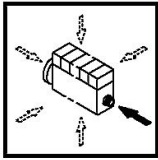
Fig.	P/n	QTY	Name
------	-----	-----	------

Notes:

[5665 HTS COM 3 ->13900]

1	04904956	1	flange WITH POS.... (2)
2	04253373	1	oil seal

000 ©



Thank you so much for reading.
Please click the “Buy Now!”
button below to download the
complete manual.



After you pay.

You can download the most
perfect and complete manual in
the world immediately.

Our support email:

ebooklibonline@outlook.com