

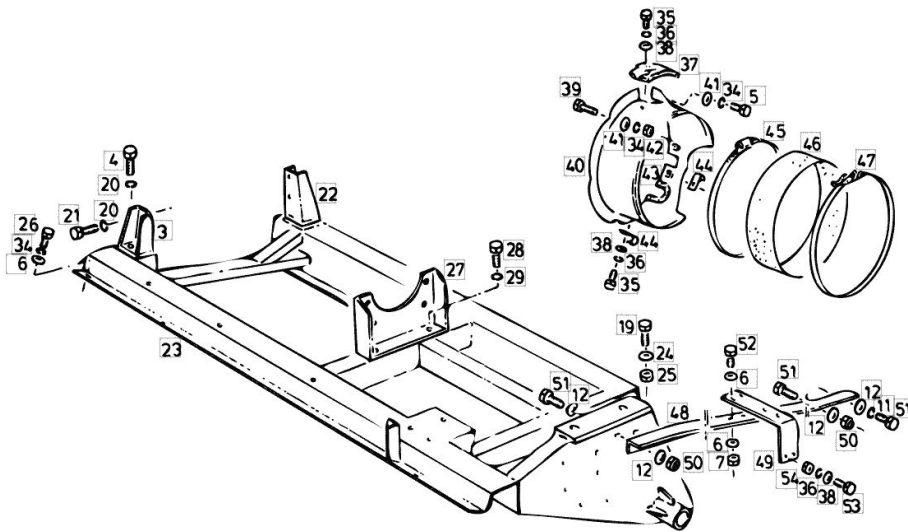
Section: ENGINE

ENGINE ASSEMBLY PARTS BF 6L 913

Fig.	P/n	QTY	Name
------	-----	-----	------

Notes:

MOTOR BF 6 L 913 191 KW / 260 PS ----- [5670 -> 6227-12226]



3	16005430	1	support
4	01112547	4	screw m 12 x 40, d933
5	01112307	5	screw m 8 p.1.25 x 15, d933
6	01107163		washer 9, d126
7	01104944	2	nut m 8, d985
11	01102800		washer 10.2
12	01107165		washer 10.5
19	01112538	3	screw m 12 x 35, d933
20	01102801		washer 12
21	01112554	4	screw m 12 x 45
22	06254961	2	bracket
23	16003370	1	chassis frame
24	06214206	5	washer 13.2
25	06209769	4	nut m 12, d985
26	01112322	4	screw m 8 p.1.25 x 20
27	06288037	1	console
28	01112661	2	screw
29	01127856	2	nut m 16, d985
34	01102799		washer 8, d128
35	01103316	5	screw m 6 p.1.0 x 16
36	01102797	9	washer 6, d128
37	06526626	1	plate
38	06214189	5	washer 6.4
39	01137744	1	screw m 8 x 40
40	16006341	1	ring G 40,35-38
41	01138374	5	washer 8,4x21x4
42	01112824	1	nut m 8, d934
43	06335684	1	copper gasket 120 MM
44	06526624	1	guide
45	01137577	1	fascia 360-380/13
46	16005437	1	screw
47	01145092	1	fascia d365
48	16003305	1	square
49	16003374	1	square
50	06209768	3	nut m 10, d985
51	01112439	3	screw m 10 x 35, d933
52	01112333	2	screw m 8 x 25, d933
53	01112264	4	screw m 6 x 20, d933
54	01112813	4	nut m 6

Section: ENGINE

LOCK

Fig.	P/n	QTY	Name
------	-----	-----	------

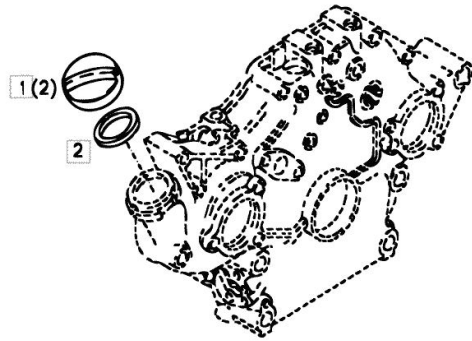
Notes:

[5670 -> 6227-12226]

1	01236291	1	plug WITH ITEM
2	01236290	1	(2) oil seal



001 ©



Section: ENGINE

DIPSTICK

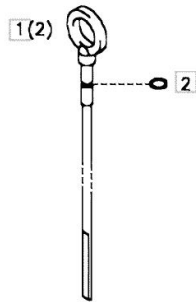
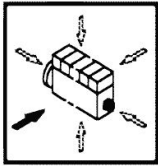
Fig.	P/n	QTY	Name
------	-----	-----	------

Notes:

[5670 -> 6227-12226]

1	01176369	1	dipstick H 003535-AV - 213- 175X 23- 38 WITH ITEM (2)
2	01174311	1	oil seal H 002927- 4,3 X 2,4 -FPM-1-70

001 ©



Section: ENGINE

COVER

Fig.	P/n	QTY	Name
------	-----	-----	------

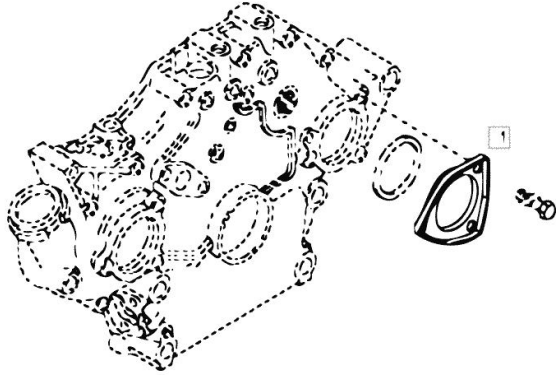
Notes:

[5670 -> 6227-12226]

1	02238504	1	cover
---	----------	---	-------



002 ©



Section: ENGINE

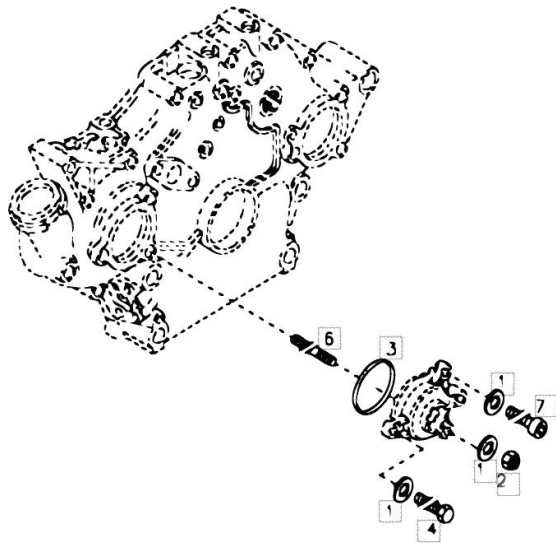
FASTENINGS

Fig.	P/n	QTY	Name
------	-----	-----	------

Notes:

[5670 -> 6227-12226]

1	01216108	3	washer
2	01122477	1	nut m 8 p.1.25 ISO 004032-M 8 -10-A4C
3	01166111	1	oil seal H 002927- 80 X 3 -MVQ-1-50
4	01174194	1	screw H 002091- 933-M 8 X 30- 8.8-A4C-MK-2D-BL
6	01174192	1	screw H 002091- 835-M 8 X 40- 8.8-A4C-MK-2D-BL
7	01174331	1	screw H 002091- 912-M 8 X 45- 8.8-A4C-MK-2D-BL



Section: ENGINE

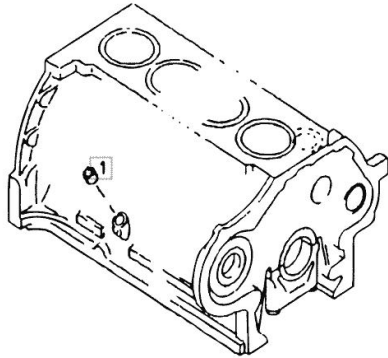
ACCESSORIES

Fig.	P/n	QTY	Name
------	-----	-----	------

Notes:

[5670 -> 6227-12226]

1	01167269	1	bush H 002341-B13X14
---	----------	---	-------------------------



000 ©

Section: ENGINE

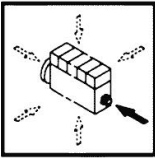
BLANKING PARTS

Fig.	P/n	QTY	Name
------	-----	-----	------

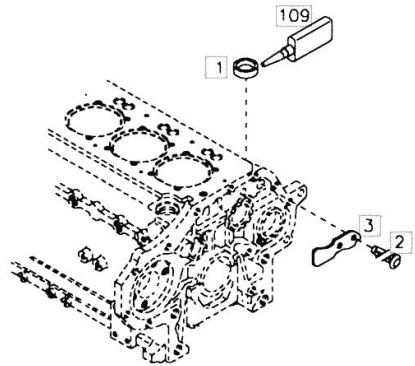
Notes:

[5670 -> 6227-12226]

1	01176197	1	stop H 000711-B25,8
2	01115333	2	self tapping screw ISO 008746- 6 X10-ST-A4C 00000000
3	04156862	1	plate
185	01016127		sealing compound ml. 50 H 000699-DEUTZ DW 72- 50 ML



002 ©



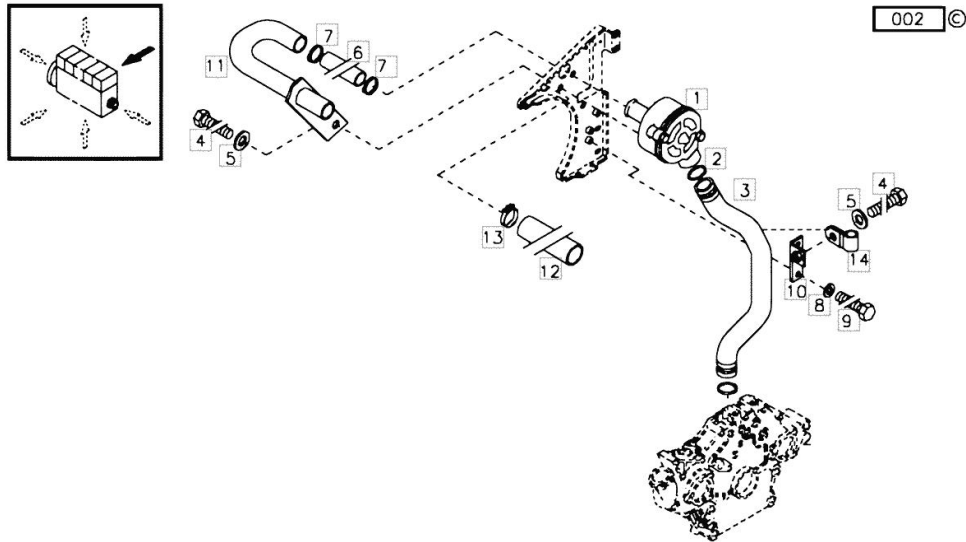
Section: ENGINE

CRANKCASE VENT

Fig.	P/n	QTY	Name
------	-----	-----	------

Notes:

[5670 -> 6227-12226]



1	04231246	1	screw
2	01160480	2	oil seal H 002927- 24 X 3 -FPM-1-70
3	04150574	1	tube
4	01112322	3	screw m 8 p.1.25 x 20 ISO 004017-M 8 X 20 - 8.8-A4C
5	01107101	3	washer 8.4 DIN 000125-A 8,4-140HV-A4C
6	01175625	1	rubber sleeve 19X26X63 H 003407-B1- 19X 26X 63
7	01173967	2	stop 16-25 DIN 003017-A - 16- 27X 13-W1-2
8	01107095	2	washer 6.4 DIN 000125-A 6,4-140HV-A4C
9	01112240	2	screw m 6 x 12 ISO 004017-M 6 X 12 - 8.8-A4C
10	04153826	1	console
11	04153864	1	tube
12	01175626	1	guard H 003407-B1- 19X 26X 400
13	01166366	1	fascia DIN 003017-B1- 26 X 9-W1-2
14	01173664	1	fascia DIN 003016-1-D1- 30X20-W1-2-EPDM

Section: ENGINE

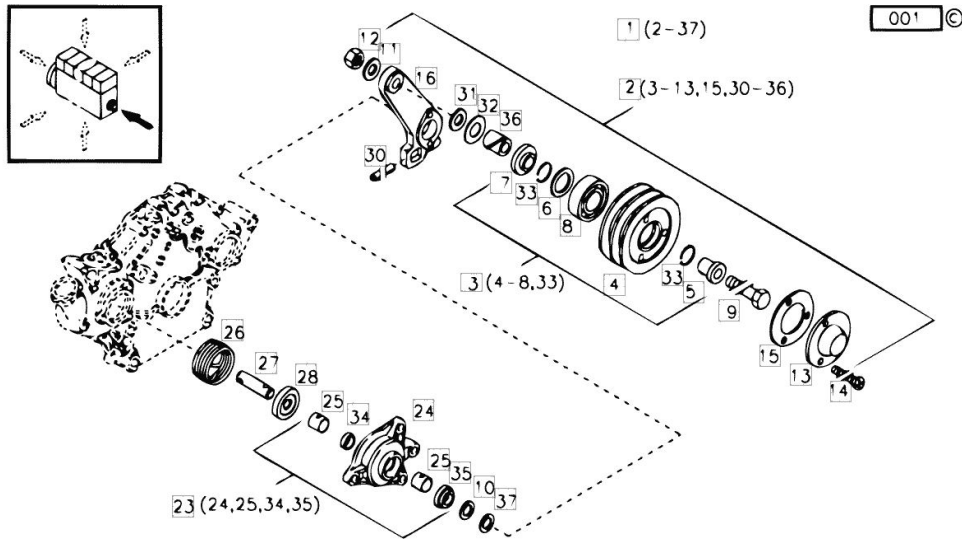
TENSION ROLLER

Fig.	P/n	QTY	Name
------	-----	-----	------

Notes:

[5670 -> 6227-12226]

1	04152516	1	tensioner WITH POS....
2	04152526	1	pulley WITH POS....
3	02237959	1	pulley WITH POS....
4	02237846	1	pulley
5	02237849	1	bush
6	02237850	1	washer
7	02237848	1	ring
8	01171646	1	ball bearing H 004450- 2RK 15X 32 X 15 -2RS
9	01111339	1	screw m 10 x 80 DIN 000931- M10 X 80 - 8.8-A4C
10	04152509	1	shim
11	01107105	1	washer 10.5 DIN 000125-A10,5-140HV-A4C
12	01102659	1	nut m 10, d934 DIN 000934-M10 - 8-A4C
13	02237847	1	cover
14	01136951	3	screw ISO 007046 - M 6 X 16 - 4.8 -H -A4C
15	02136434	1	gasket
16	04152534	1	lever
23	04153128	1	cover WITH POS....
24	04153130	1	cover
25	02238022	2	bushing
26	02238021	1	spring
27	04150550	1	shaft
28	02238083	1	washer
30	01115473	1	pin 8 x 40, d1481 ISO 008752- 8 X 40-ST
31	01216123	3	washer
32	01216095	2	washer
33	01107818	2	ring DIN 000472- 32X1,2
34	02238084	1	bushing
35	04158766	1	oil seal
36	04150551	1	bushing
37	04152517	1	shim



Section: ENGINE

FASTENINGS

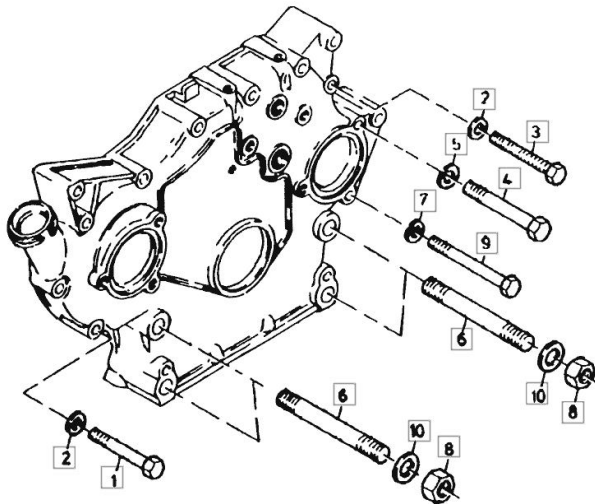
Fig.	P/n	QTY	Name
------	-----	-----	------

Notes:

[5670 -> 6227-12226]

1	01111179	1	screw m 8 x 70, d931 ISO 004014- M 8 X 70 - 8.8-A4C
2	01107101	2	washer 8.4 DIN 000125-A 8,4-140HV-A4C
3	01112375	1	screw ISO 004017-M 8 X 80 - 8.8-A4C
4	01111336	1	screw m 10 x 75 DIN 000931- M10 X 75 - 8.8-A4C
5	01102800	1	washer 10.2 DIN 000128-A 10 -FST -A4C
6	01139894	4	screw DIN 000939-M14 X100 -10.9-A4C
7	01102799	1	washer 8, d128 DIN 000128-A 8 -FST -A4C
8	01139895	4	nut m 14 DIN 000934-M14 -10-A4C
9	01122399	1	screw ISO 004014- M 8 X 85 - 8.8-A4C
10	01107556	4	washer ISO 007092-14 -140HV-A4C *

000 ©



Section: ENGINE

BLANKING PARTS

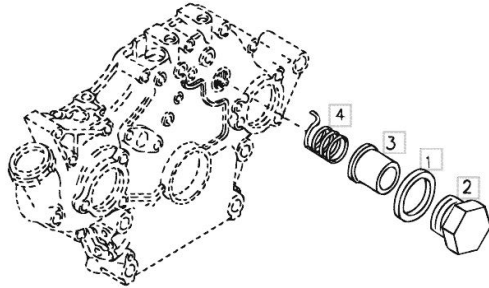
Fig.	P/n	QTY	Name
------	-----	-----	------

Notes:

[5670 -> 6227-12226]

1	01118750	1	oil seal DIN 007603-A 24 X 30 X2 -AL *
2	04230057	1	screw
3	02135019	1	tube
4	02237638	1	spring

000 ©



Thank you so much for reading.
Please click the “Buy Now!”
button below to download the
complete manual.



After you pay.

You can download the most
perfect and complete manual in
the world immediately.

Our support email:

ebooklibonline@outlook.com