

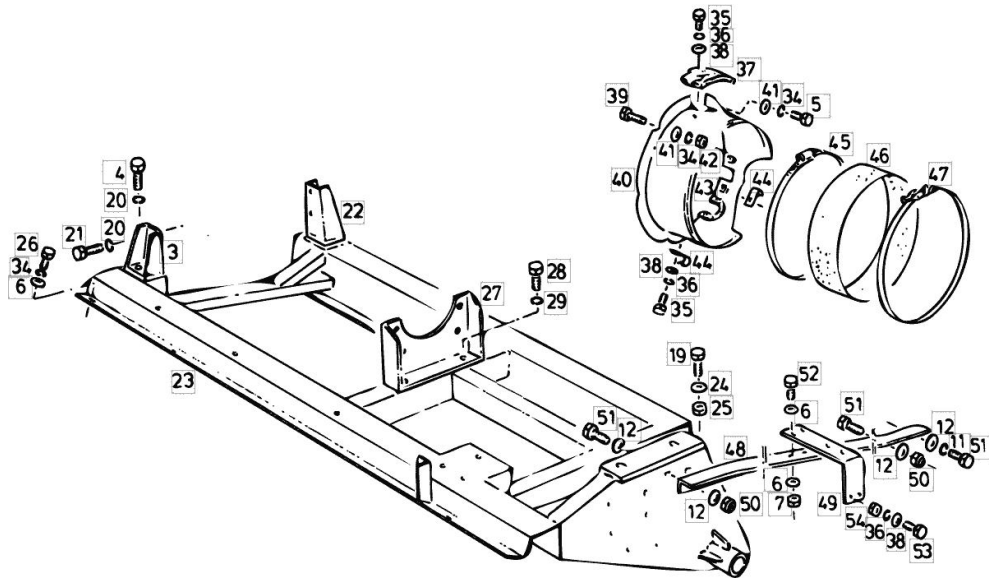
Section: ENGINE

ENGINE ASSEMBLY PARTS BF 6L 913

Fig.	P/n	QTY	Name
------	-----	-----	------

Notes:

MOTOR BF 6 L 913 191 KW / 260 PS ----- [5670]



3	16005430	1	support
4	01112547	4	screw m 12 x 40, d933
5	01112307	5	screw m 8 p.1.25 x 15, d933
6	01107163		washer 9, d126
7	01104944	2	nut m 8, d985
11	01102800		washer 10.2
12	01107165		washer 10.5
19	01112538	3	screw m 12 x 35, d933
20	01102801		washer 12
21	01112554	4	screw m 12 x 45
22	06254961	2	bracket
23	16003370	1	chassis frame
24	06214206	5	washer 13.2
25	06209769	4	nut m 12, d985
26	01112322	4	screw m 8 p.1.25 x 20
27	06288037	1	console
28	01112661	2	screw
29	01127856	2	nut m 16, d985
34	01102799		washer 8, d128
35	01103316	5	screw m 6 p.1.0 x 16
36	01102797	9	washer 6, d128
37	06526626	1	plate
38	06214189	5	washer 6.4
39	01137744	1	screw m 8 x 40
40	16006341	1	ring G 40,35-38
41	01138374	5	washer 8,4x21x4
42	01112824	1	nut m 8, d934
43	06335684	1	copper gasket 120 MM
44	06526624	1	guide
45	01137577	1	fascia 360-380/13
46	16005437	1	screw
47	01145092	1	fascia d365
48	16003305	1	square
49	16003374	1	square
50	06209768	3	nut m 10, d985
51	01112439	3	screw m 10 x 35, d933
52	01112333	2	screw m 8 x 25, d933
53	01112264	4	screw m 6 x 20, d933
54	01112813	4	nut m 6

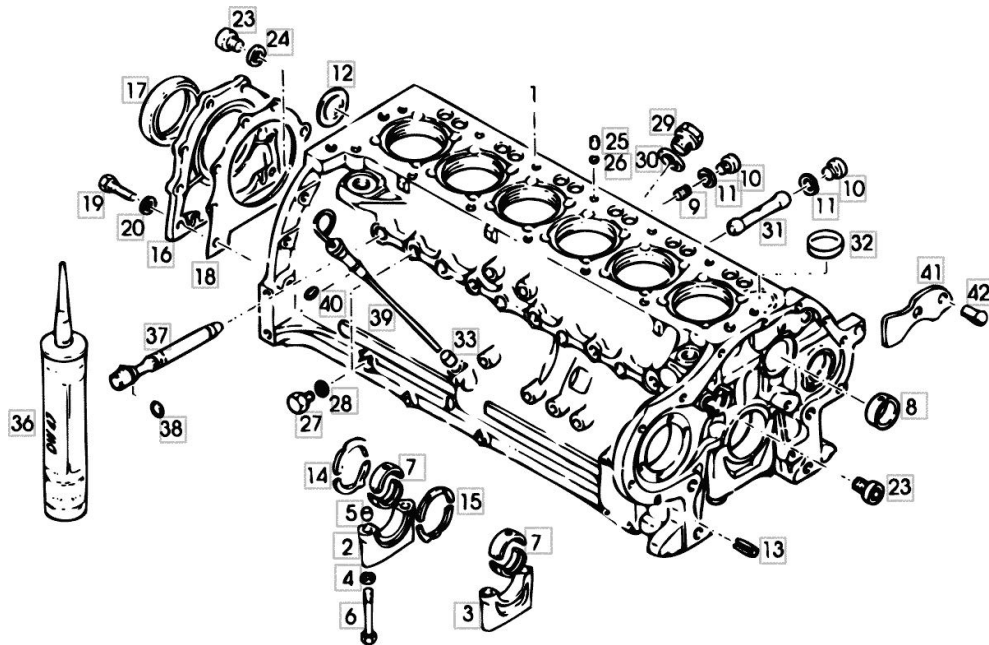
Section: ENGINE

ENGINE CRANKCASE BF 6L 913

Fig.	P/n	QTY	Name
------	-----	-----	------

Notes:

[5670]

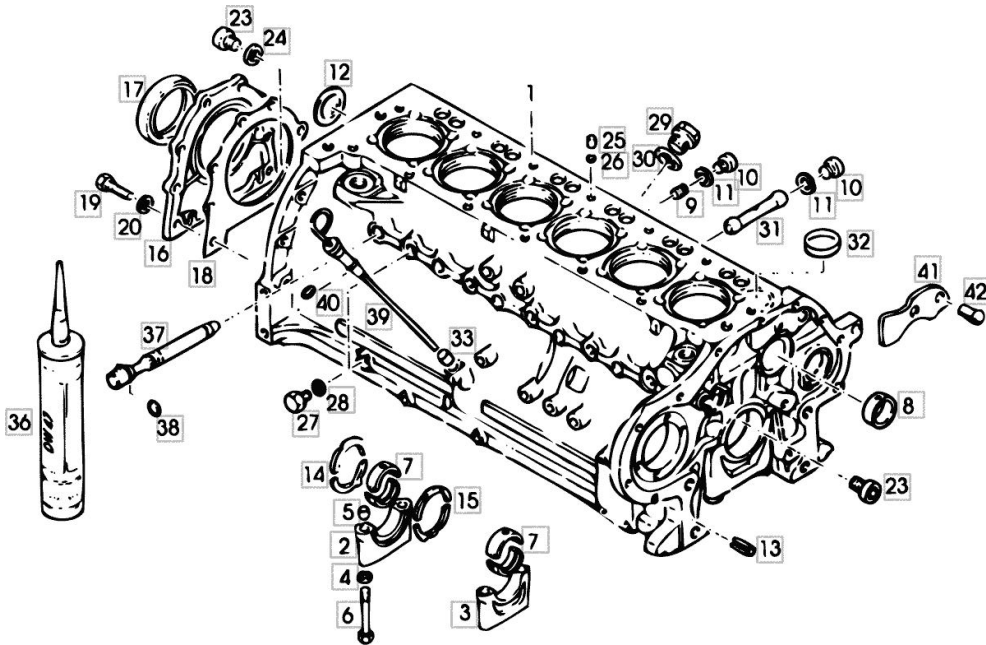


1	04233484	1	crankcase G 2-6,9-13,23,24 27-30,36
2	NL		cannot be supplied
3	NL		cannot be supplied
4	01216107	14	washer 15x23x1,5
5	04160764	14	bushing
6	04156058	14	screw
7	04231079	7	half-bushing D 75,00 MM
7.1	04231080		bearing D 74,75 MM
7.2	04231081		bearing D 74,50 MM
8	02139737	1	bushing
9	01215235	7	plug
10	01110422	7	screw
11	01118673	7	oil seal
12	01216240	1	disc
13	01167266	2	bush
14	04232790	1	shim 2,94 MM
14.1	04232792		shim 3,14 MM
15	04232791	1	shim 2,94 MM
15.1	04232793		disc 3,14 MM
16	02234870	1	cover
17	04232267	1	special oil seal
18	03362337	1	gasket
19	01137083	8	screw
20	01132562	8	washer
23	04159934	2	screw
24	04159935	2	oil seal
25	01170580	5	plug
26	01167010	5	washer
27	01118997	5	screw cm10x1
28	01118659	5	oil seal
29	01170580	1	plug
30	01167010	1	washer

Section: ENGINE

ENGINE CRANKCASE BF 6L 913

Fig.	P/n	QTY	Name
31	NE		plate
32	01176197	1	stop
33	01167269	1	bush
36	01016131		gasket
36.1	01001202		gasket
37	04231147	6	injector assembly
38	01173838	6	oil seal
39	01176369	1	dipstick G 39,40
40	01174311	1	oil seal
41	04156862	1	plate
42	01115333	2	self tapping screw

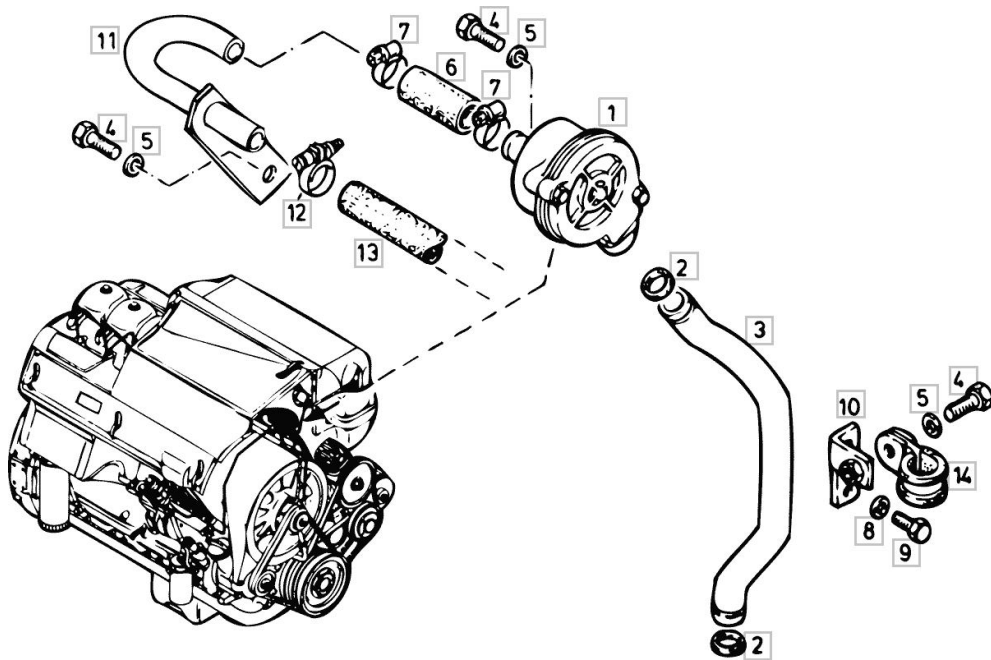


ENGINE / CRANKCASE BREATHER BF 6L 913

Fig.	P/n	QTY	Name
------	-----	-----	------

Notes:
[5670]

1	04231246	1	screw
2	01160480	2	oil seal
3	04150574	1	tube
4	01112322	3	screw m 8 p.1.25 x 20
5	01107101	3	washer 8.4
6	01175625	1	rubber sleeve 19X26X63
7	01173967	2	stop 16-25
8	01107095	2	washer 6.4
9	01112240	2	screw m 6 x 12
10	04153826	1	console
11	04153864	1	tube
12	01166366	2	fascia
13	01175626	1	guard
14	01173664	1	fascia



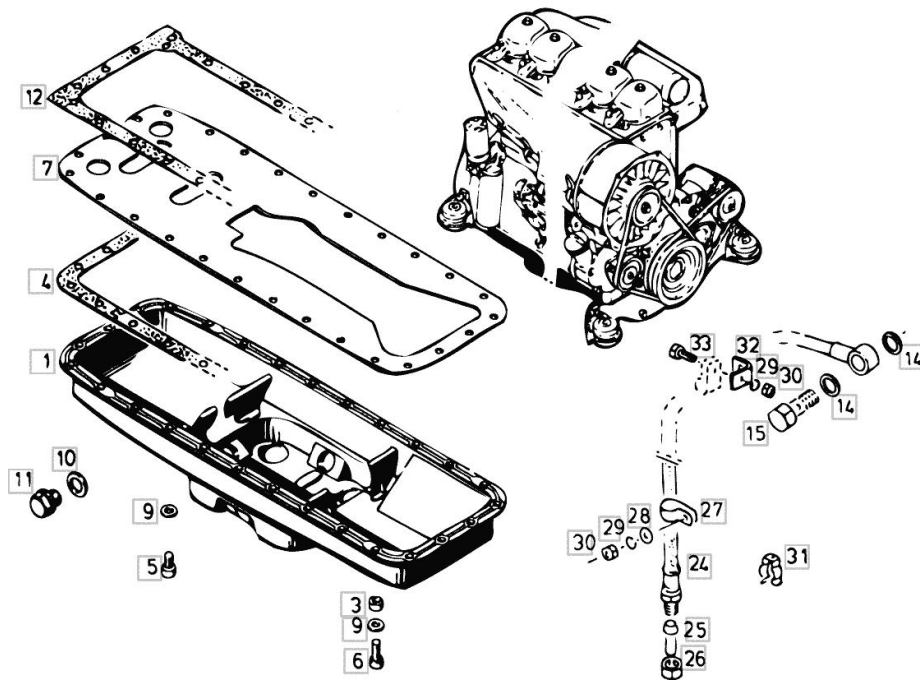
Section: ENGINE

ENGINE OIL PAN BF 6L 913

Fig.	P/n	QTY	Name
------	-----	-----	------

Notes:

[5670]



1	02234521	1	oil sump
3	01216151	1	bushing
4	04157240	1	gasket
5	01102193	26	screw m 8 x 16
6	01110577	1	screw m 8 x 25
7	04161492	1	division
9	01216121	27	washer
10	01118783	1	oil seal
11	01118989	1	plug
12	03362581	1	gasket
14	01118784	2	oil seal 30x36x2 d7603
15	01139203	1	pipe union m 30 x 1,5
24	16020988	1	tube
25	01179135	1	plug L 18-V1
26	01127347	1	nut CL 18
27	01145232	3	clamp Ø 22
28	06214189	3	washer 6.4
29	01102797	5	washer 6, d128
30	01112813	5	nut m 6
31	16022166	1	brace
32	16006188	1	angular
33	01112270	1	screw m6x28 d933

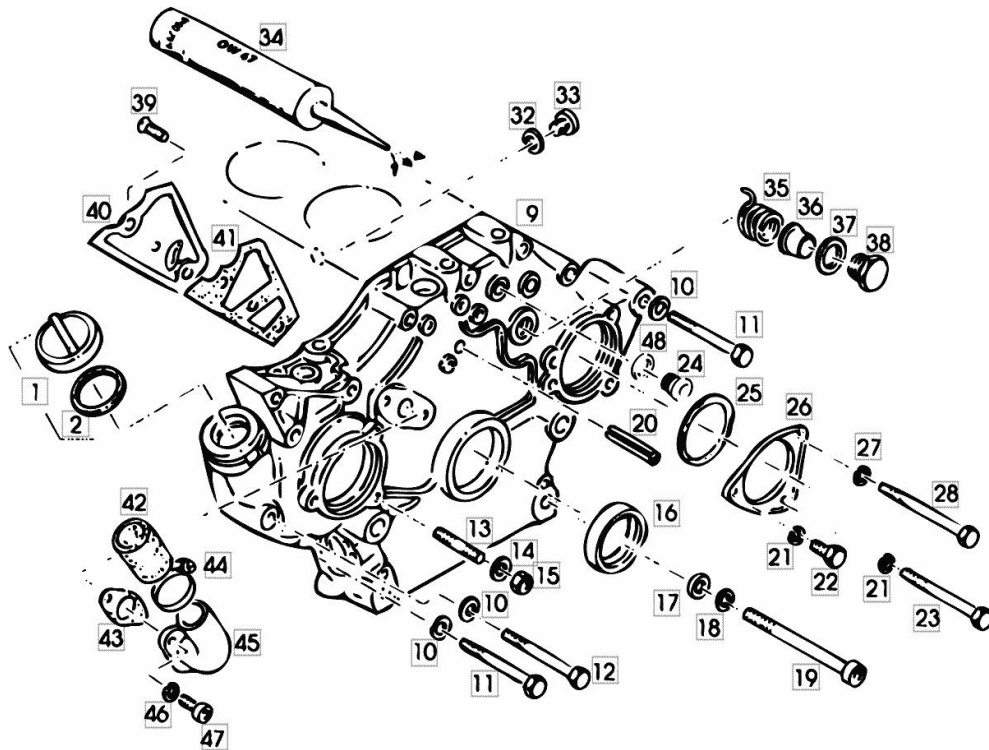
Section: ENGINE

ENGINE FRONT COVER BF 6L 913

Fig.	P/n	QTY	Name
------	-----	-----	------

Notes:

[5670]



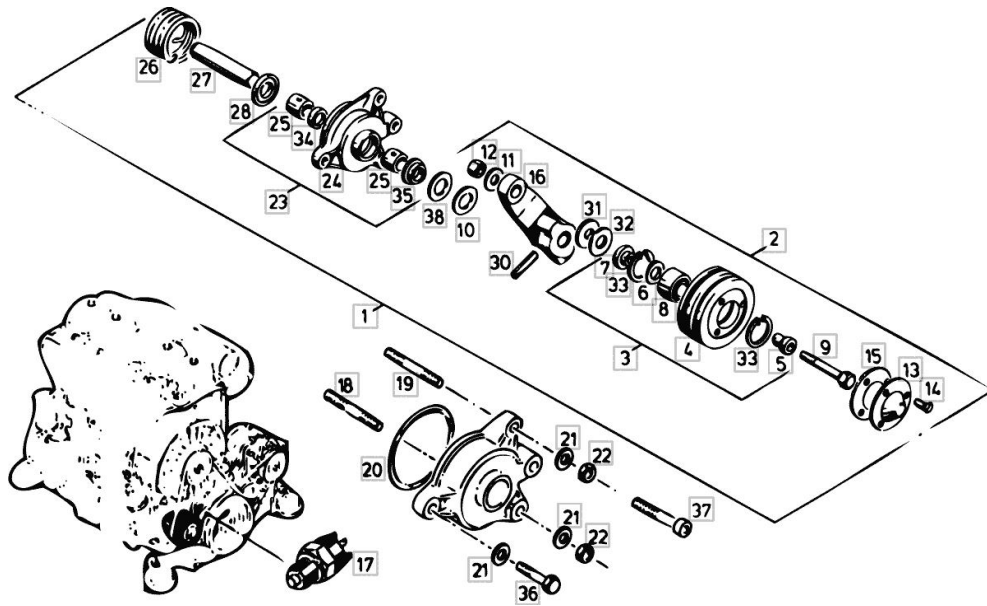
1	01236291	1	plug
2	01236290		oil seal
9	04158438	1	cover
10	01107101	5	washer 8.4
11	01111179	3	screw m 8 x 70, d931
12	01127046	1	screw m 8 x 60
13	01174192	1	screw
14	01216108	2	washer
15	01122477	2	nut m 8 p.1.25
16	04232266	1	ring
17	01107556	16	washer
18	01127679	4	spring washer
19	01102281	4	screw m14x100 d912
20	01115459	1	pin
21	01102799	2	washer 8, d128
22	01112299	1	screw m 8 x 12, d933
23	01122399	1	screw
24	01151441	1	screw
25	01166111	1	oil seal
26	02238504	1	cover
27	01102800	1	washer 10.2
28	01111336	1	screw m 10 x 75
32	01118673	1	oil seal
33	01110422	1	screw
34	01016120		compound 1 kg
35	02237638	1	spring
36	02135019	1	tube
37	01118750	1	oil seal
38	04230057	1	screw
39	01137776	3	screw
40	02231500	1	plate
41	02230313	1	gasket
42	01175628	1	rubber sleeve
43	01178417	1	gasket
44	01178750	1	clamp
45	04161166	1	vent
46	01216121	2	washer
47	01144543	2	screw
48	01118716	1	oil seal 18 x 24

ENGINE / COVER WITH IDLER PULLEY BF 6L 913

Fig.	P/n	QTY	Name
------	-----	-----	------

Notes:

[5670]



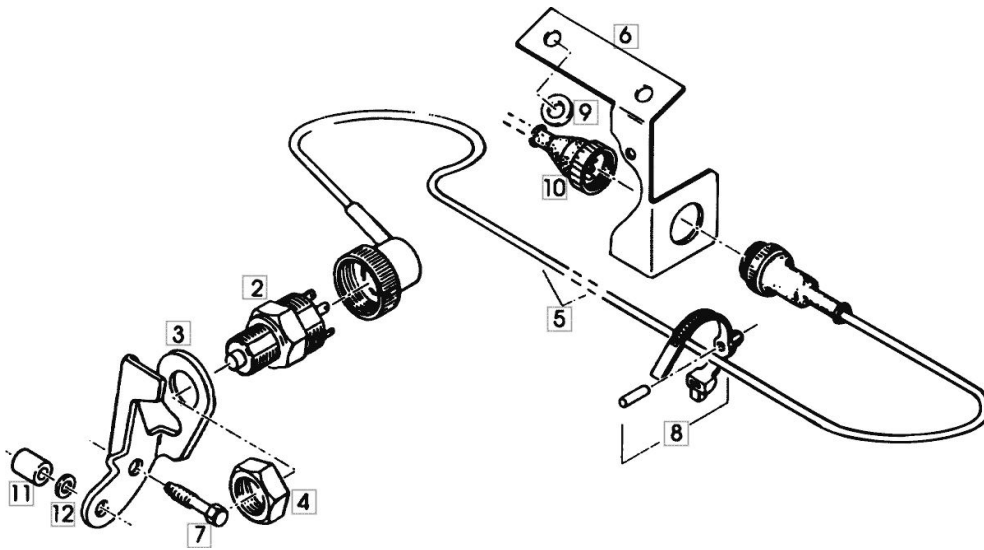
1	04152516	1	tensioner
2	04152526	1	pulley
3	02237959	1	pulley
4	02237846	1	pulley
5	02237849	1	bush
6	02237850	1	washer
7	02237848	1	ring
8	01171646	1	ball bearing
9	01111339	1	screw m 10 x 80
10	04152509	1	shim
11	01107105	1	washer 10.5
12	01102659	1	nut m 10, d934
13	02237847	1	cover
14	01136951	3	screw
15	02136434	1	gasket
16	04152534	1	lever
17	04191001	1	push-button
18	01174192	1	screw
20	01166111	1	oil seal
21	01216108	3	washer
22	01122477	1	nut m 8 p.1.25
23	04153128	1	cover
24	04153130	1	cover
25	02238022	2	bushing
26	02238021	1	spring
27	04150550	1	shaft
28	02238083	1	washer
30	01115474	1	pin
31	01216123	3	washer
32	01216095	2	washer
33	01107818	2	ring
34	02238084	1	bushing
35	04158766	1	oil seal
36	01174194	1	screw
37	01174331	1	screw
38	04152517	1	shim
39	04150551	1	bushing

ENGINE STOP-SWITCH MOUNTING BF 6L 913

Fig.	P/n	QTY	Name
------	-----	-----	------

Notes:
[5670]

2	04191001	1	push-button
3	02246590	1	console
4	01101294	1	nut
5	02248490	1	tube
6	04154610	1	console
7	01171763	1	screw m 8 p.1.25 x 20
8	01172979	1	band
9	03382693	1	washer
10	02245054	1	socket
11	03357910	1	bushing
12	03308204	1	disc

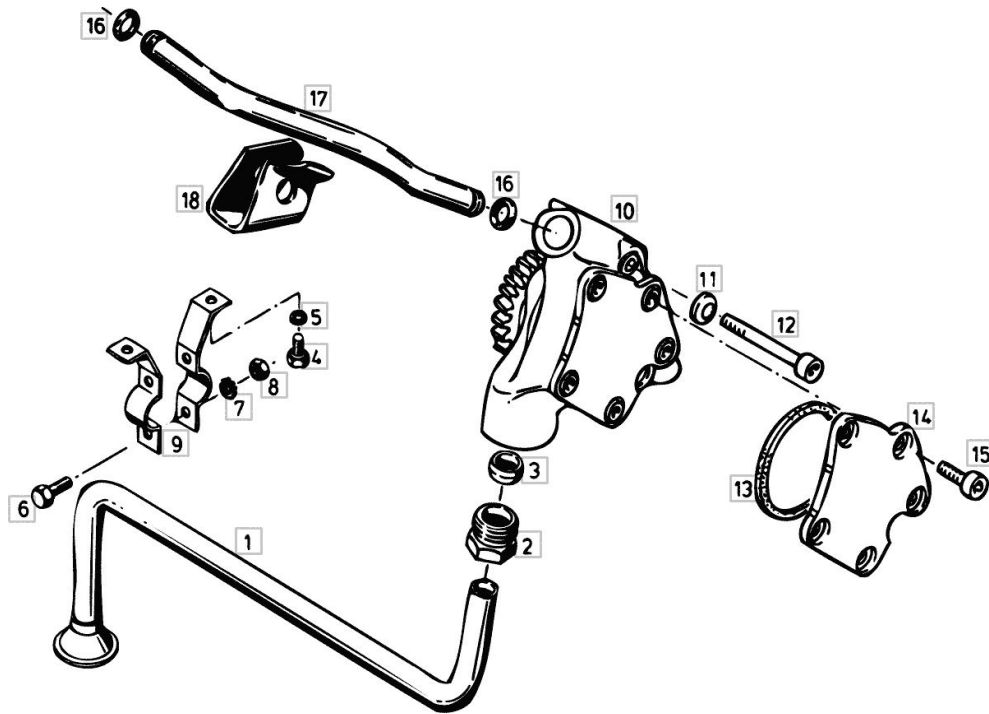


ENGINE OIL PUMP BF 6L 913

Fig.	P/n	QTY	Name
------	-----	-----	------

Notes:

[5670]



1	02240926	1	primer
2	01213241	1	screw
3	01213240	1	ring
4	01112299	2	screw m 8 x 12, d933
5	01102799	2	washer 8, d128
6	01103316	2	screw m 6 p.1.0 x 16
7	01117861	2	washer
8	01112813	2	nut m 6
9	02136648	2	fascia
10	04232511	1	water pump G 10,13-15
11	01169689	2	washer
12	01110606	2	screw
13	02137612	1	oil seal
14	02237234	1	cover
15	02237346	5	screw
16	01174605	2	oil seal
17	02239983	1	tube
18	02234165	1	spring

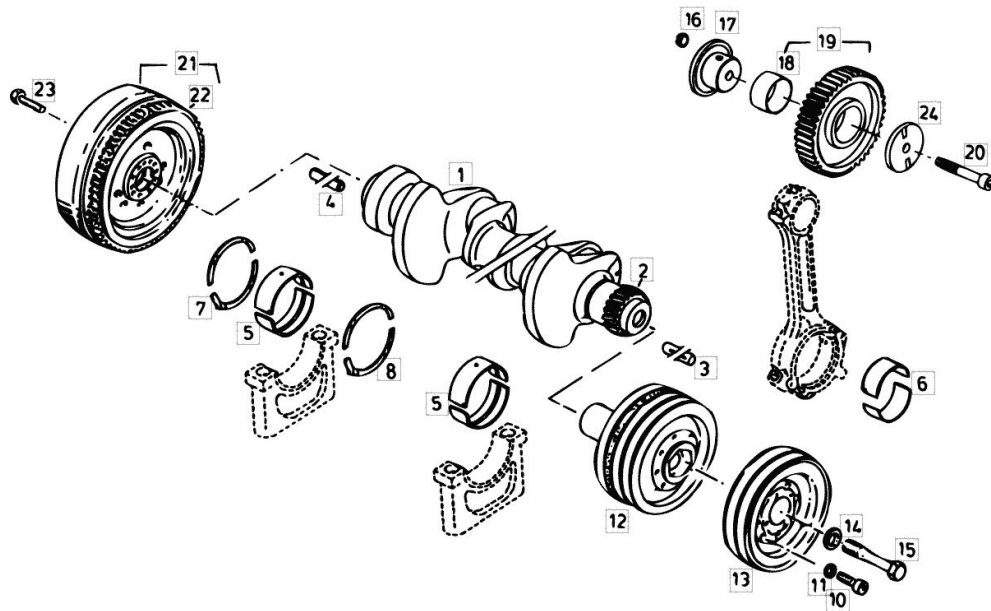
Section: ENGINE

ENGINE CRANKSHAFT BF 6L 913

Fig.	P/n	QTY	Name
------	-----	-----	------

Notes:

[5670]



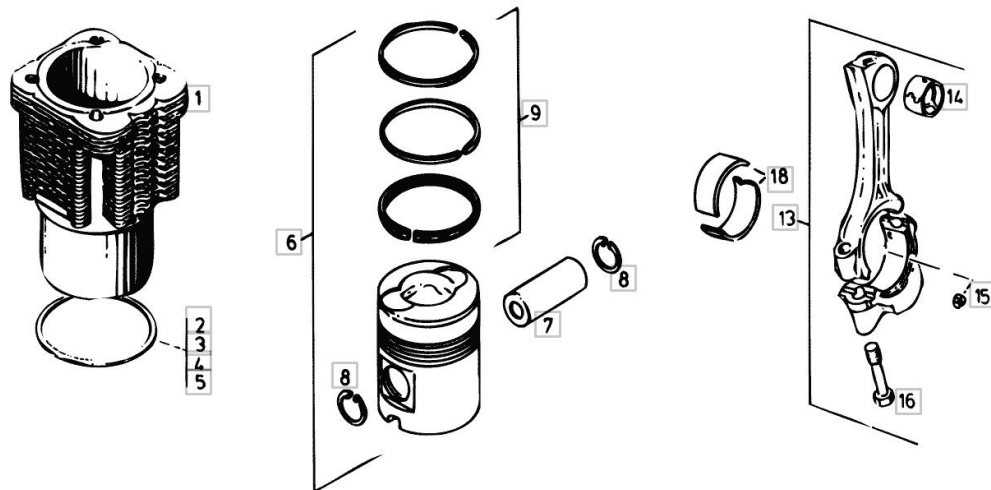
1	02931059	1	crankshaft G 2-8
2	02237257	1	gear
3	01137239	1	pin
4	01115464	1	pin
5	04231079	7	half-bushing 75,00 MM
5.1	04231080		bearing 74,75 MM
5.2	04231081		bearing 74,50 MM
6	04232679	6	con.rod half bushing 66,00 MM
6.1	04232680		conrod bearing 65,75 MM
6.2	04232681		conrod bearing 65,50 MM
7	04232790	1	shim 2,94 MM
7.1	04232792	1	shim 3,14 MM
8	04232791	1	shim 2,94 MM
8.1	04232793	1	disc 3,14 MM
10	01103781	8	screw
11	01172303	8	washer
12	04233039	1	pulley
13	04230442	1	pulley
14	01216128	1	washer
15	01166951	1	screw
16	04156283	1	bush
17	04156285	1	journal
18	04154590	1	bushing
19	04154591	1	gear wheel
20	02234177	1	screw
21	02160763	1	flywheel
22	02131081	1	crown wheel
23	01104847	10	screw
24	04154593	1	washer

ENGINE CYLINDER / PISTON BF 6L 913

Fig.	P/n	QTY	Name
------	-----	-----	------

Notes:

[5670]



1	04157761	6	engine cylinder
2	02137256	12	shim mm 0.20 0,2 MM
3	04231432	18	ring mm 0.50 0,5 MM
4	04150264	6	shim 0,8 MM
5	02239331	6	shim 1,0 MM
6	04233581	6	piston
7	02133883	6	piston pin
8	01107827	12	circlip 40 x 1.75
9	04233567	6	circlip
13	04233549	6	engine connecting rod
14	02138563	6	bush
15	NE		plate
16	04157075	12	screw
18	04232679	6	con.rod half bushing 66,00 MM
18.1	04232680		conrod bearing 65,75 MM
18.2	04232681		conrod bearing 65,50 MM

Thank you so much for reading.
Please click the “Buy Now!”
button below to download the
complete manual.



After you pay.

You can download the most
perfect and complete manual in
the world immediately.

Our support email:

ebooklibonline@outlook.com