

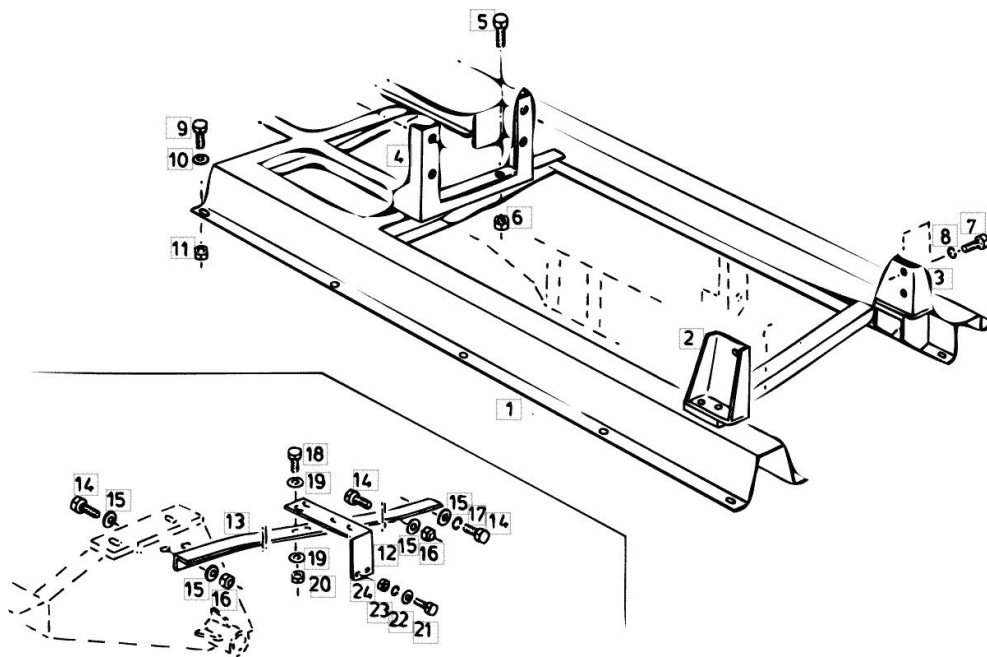
Section: ENGINE

ENGINE ASSEMBLY PARTS BF 6M 1013

Fig.	P/n	QTY	Name
------	-----	-----	------

Notes:

MOTOR BF 6M 1013 FC 206 KW / 280 PS TYP 5680 MOTOR BF 6M 1013 FC 235 KW / 320 PS TYP 5690
[5680 -> 6228-12226]



1	16054404	1	chassis frame
2	16049855	1	support
3	16049856	1	support
4	16049858	1	support
5	01112663	2	screw m 16 x 25
6	01127856	2	nut m 16, d985
7	01112547	8	screw m 12 x 40, d933
8	01102801	8	washer 12
9	01112538	4	screw m 12 x 35, d933
10	06214206	4	washer 13.2
11	06209769	4	nut m 12, d985
12	16003374	1	square
13	16003305	1	square
14	01112439	1	screw m 10 x 35, d933
15	01107165		washer 10.5
16	06209768	3	nut m 10, d985
17	01102800	1	washer 10.2
18	01112538	2	screw m 12 x 35, d933
19	01107163	4	washer 9, d126
20	01104944	2	nut m 8, d985
21	01112264	4	screw m 6 x 20, d933
22	06214189	4	washer 6.4
23	01102797	4	washer 6, d128
24	01112813	4	nut m 6

Section: ENGINE

PLUG

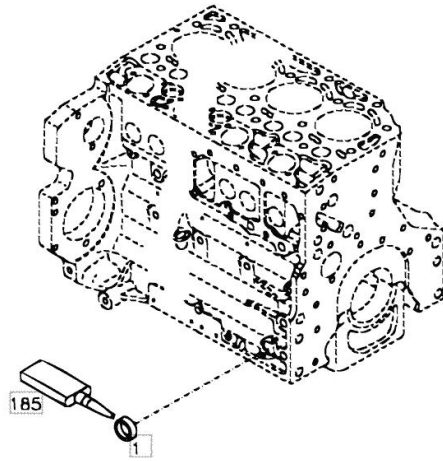
Fig.	P/n	QTY	Name
------	-----	-----	------

Notes:

[5680 -> 6228-12226]

1	01179634	1	plug H 002860-A36-ST-FE/ZNPHR
185	01016127		sealing compound ml. 50 H 000699-DEUTZ DW 72- 50 ML

001 ©



Section: ENGINE

FASTENINGS

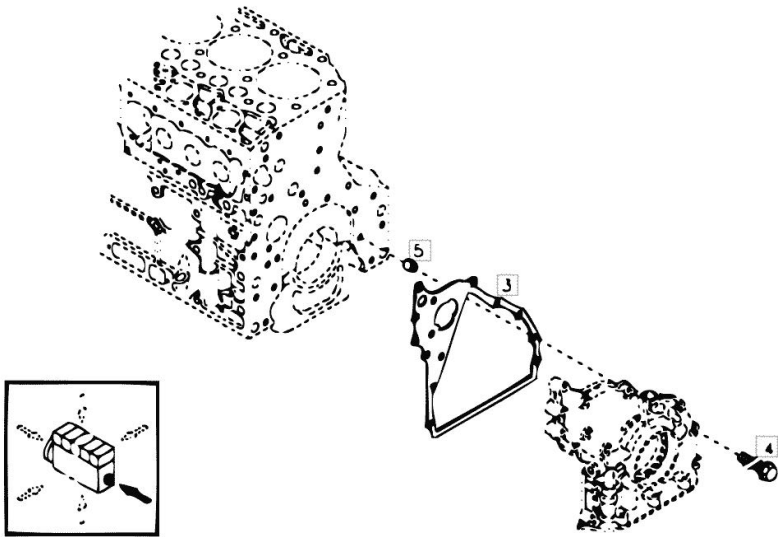
Fig.	P/n	QTY	Name
------	-----	-----	------

Notes:

[5680 -> 6228-12226]

3	04204450	1	gasket
4	01143362	14	screw EN 001662-F-M 8 X 35- 10.9-A4C
5	01181406	1	bushing H 002341-B11X 8-FE/ZN12C*

00' ©



Section: ENGINE

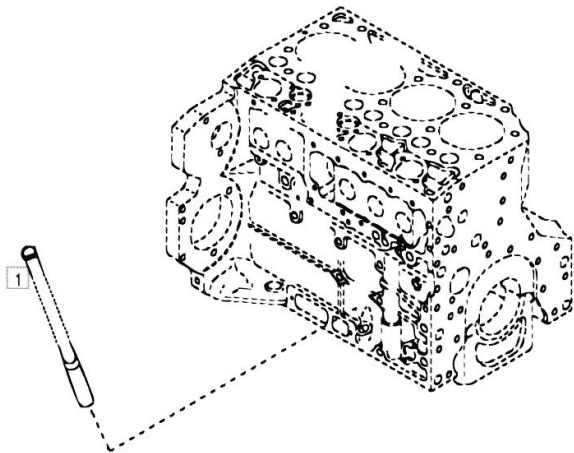
GUIDE PIPE

Fig.	P/n	QTY	Name
------	-----	-----	------

Notes:

[5680 -> 6228-12226]

1	04204590	1	guide
---	----------	---	-------



000 ©

Section: ENGINE

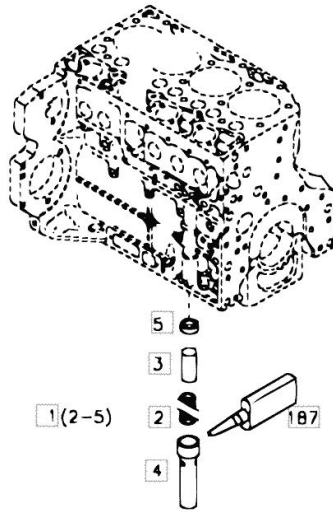
OIL PRESSUR.SWITCH

Fig.	P/n	QTY	Name
------	-----	-----	------

Notes:

[5680 -> 6228-12226]

1	04207119	1	valve WITH ITEM (2-5)
2	04200782	1	spring
3	04207120	1	piston
4	04207121	1	spacer
5	04201794	1	ring
187	01016123		small plate H 000699-DEUTZ DW 71- 50 ML



Section: ENGINE

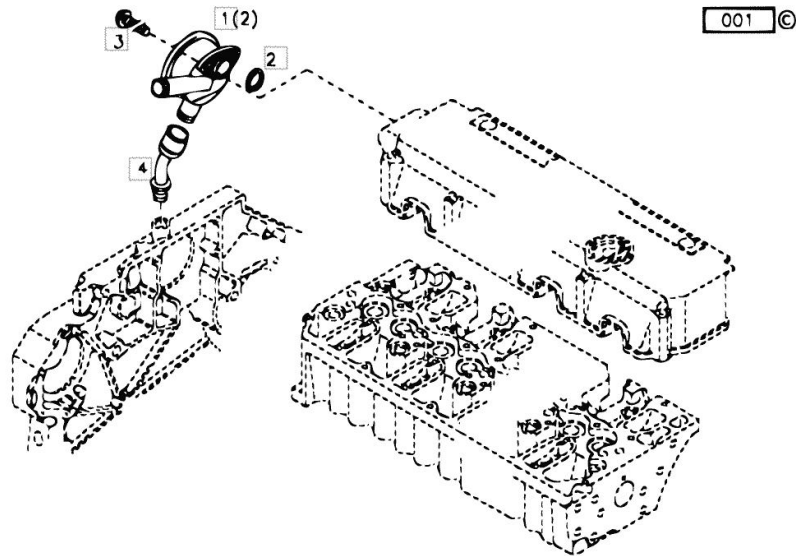
CRANKCASE VENT

Fig.	P/n	QTY	Name
------	-----	-----	------

Notes:

[5680 -> 6228-12226]

1	04207651	1	valve WITH ITEM (2)
2	04207649	1	ring
3	01180218	2	screw EN 001662-F-M 6 X 20- 10.9-GESCHW
4	04207290	1	pipng



Section: ENGINE

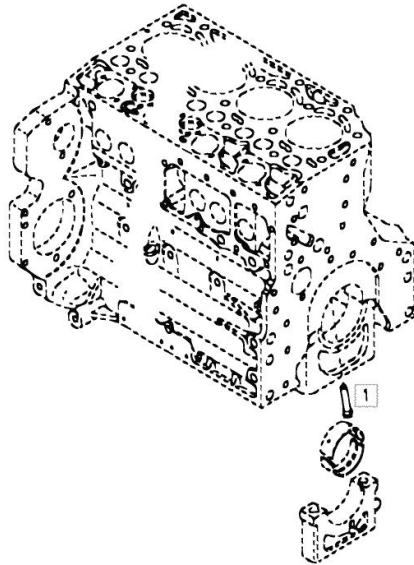
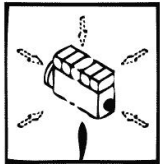
PISTON COOL.NOZZLE

Fig.	P/n	QTY	Name
------	-----	-----	------

Notes:

[5680 -> 6228-12226]

1	04207521	1	sprayers
---	----------	---	----------



001 ©

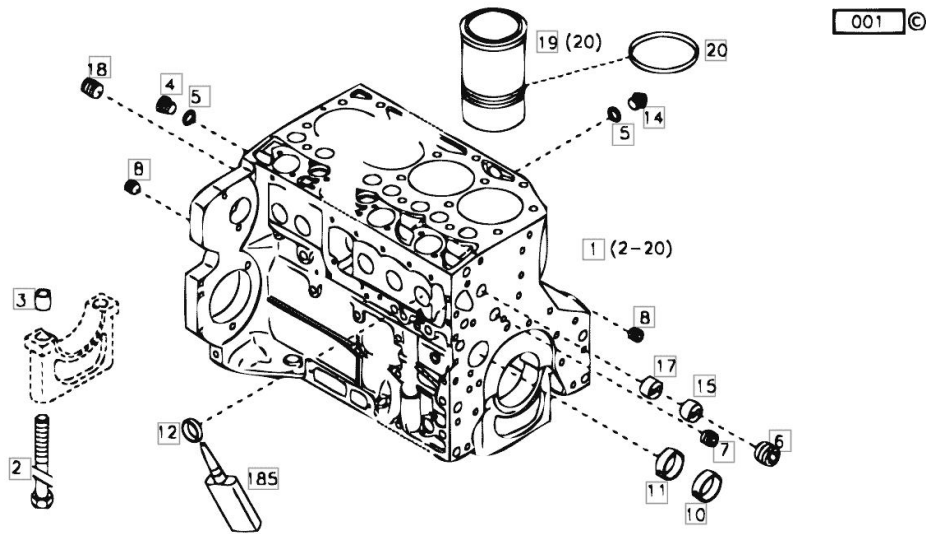
Section: ENGINE

CRANK CASE

Fig.	P/n	QTY	Name
------	-----	-----	------

Notes:

[5680 -> 6228-12226]



1	04209416	1	crankcase WITH ITEM (2-20)
2	04251254	14	screw
3	04200078	14	bushing
4	01110423	2	screw DIN 000908-M14X1,5-ST-ZNPHRF
5	01118693	4	gasket 14x20 DIN 007603-A 14 X 20 -CU
6	01180890	1	screw H 002812-906-M30X1,5-ST-A4C-PRE80
7	01180906	1	screw H 002812-906-M22X1,5-ST-A4C-PRE80
8	01180891	2	screw H 002812-906-M14X1,5-ST-A4C-PRE80
10	04200021	6	bushing
11	04200022	1	bushing
12	01148032	10	cover DIN 000443-A45-ZNPHR
14	01100940	2	screw DIN 007604-AM14X1,5 -ST-A4C
15	04202518	1	sleeve
17	04202517	1	sleeve
18	01181155	1	plug H 002812-2838-M22X1,5-ST-PRE80
19	04253772	6	engine cylinder WITH ITEM (20)
20	01181178	12	special oil seal H 002927-112 X 3,0 -FPM-2-70
185	01016127		sealing compound ml. 50 H 000699-DEUTZ DW 72- 50 ML

Section: ENGINE

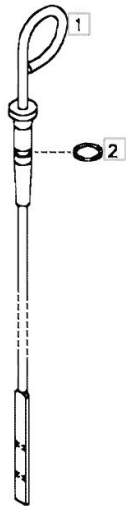
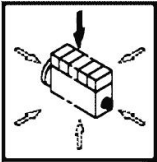
DIPSTICK

Fig.	P/n	QTY	Name
------	-----	-----	------

Notes:

[5680 -> 6228-12226]

1	01181382	1	stick H 003535-AV - 247- 214X 18- 38
2	01174311	1	oil seal H 002927- 4,3 X 2,4 -FPM-1-70



000 ©

Section: ENGINE

FRONT COVER

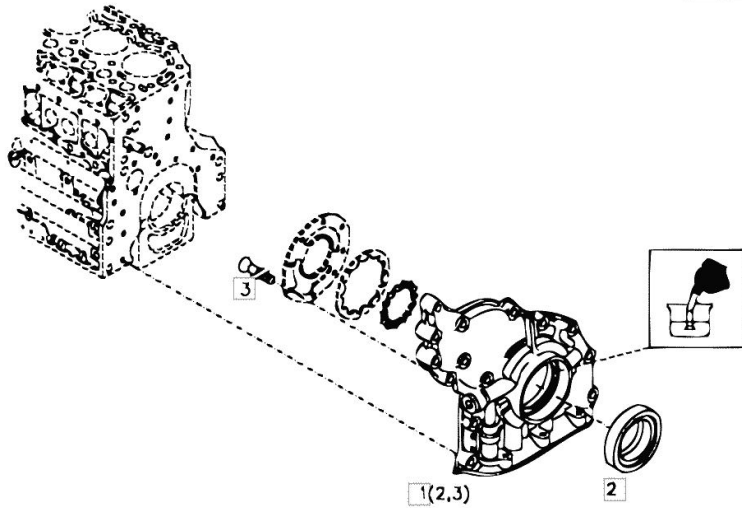
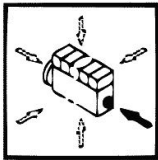
Fig.	P/n	QTY	Name
------	-----	-----	------

Notes:

[5680 -> 6228-12226]

1	04259226	1	cover WITH ITEM (2,3)
2	04253373	1	oil seal
3	01133718	8	screw DIN 007991-M 6 X 16- 8.8 -A4C

000 ©



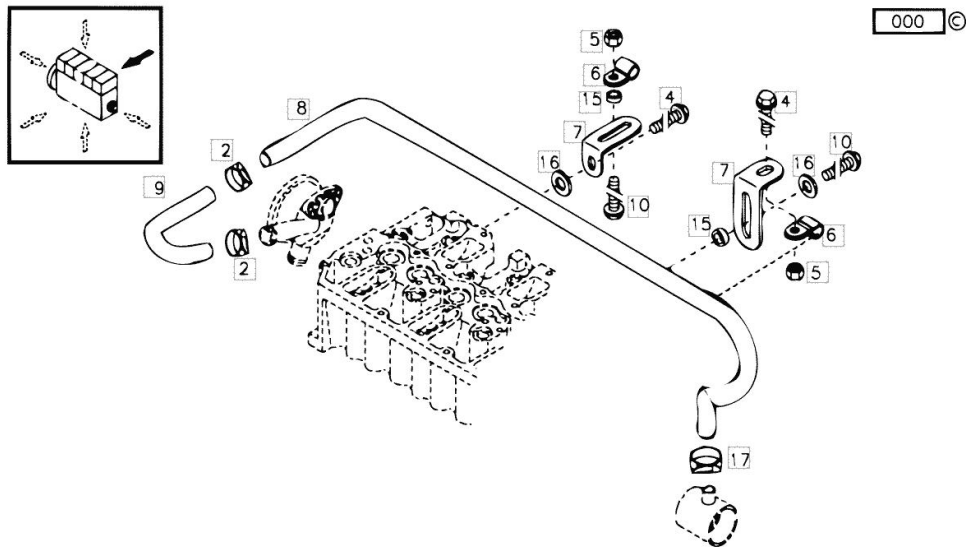
Section: ENGINE

BLEEDING TUBE

Fig.	P/n	QTY	Name
------	-----	-----	------

Notes:

[5680 -> 6228-12226]



2	01178750	2	clamp DIN 003021-A- 29X15
4	01181433	2	screw EN 001662-F-M 8 X 20-LG 2,5-10.9-ZNAL-A
5	01112824	2	nut m 8, d934 ISO 004032-M 8 - 8-A4C
6	01178181	2	fascia H 003223-C22X20-ST/MVQ -1-70
7	04204250	2	bracket
8	04259946	1	tube
9	04198572	1	tube
10	01181432	2	screw m8x30 EN 001662-F-M 8 X 30- 10.9-ZNAL-A
15	03363990	2	bushing
16	02404201	2	washer
17	01179332	1	clamp DIN 003021-A- 30X15

Thank you so much for reading.
Please click the “Buy Now!”
button below to download the
complete manual.



After you pay.

You can download the most
perfect and complete manual in
the world immediately.

Our support email:

ebooklibonline@outlook.com