

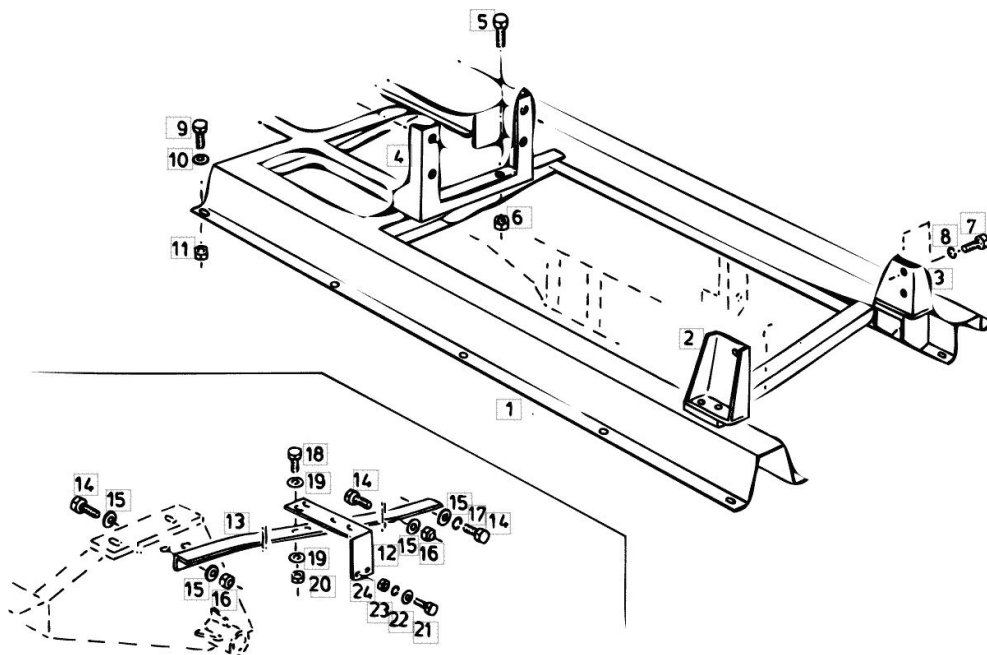
Section: ENGINE

**ENGINE ASSEMBLY PARTS BF 6M 1013**

Fig.	P/n	QTY	Name
------	-----	-----	------

**Notes:**

MOTOR BF 6M 1013 FC 206 KW / 280 PS TYP 5680 MOTOR BF 6M 1013 FC 235 KW / 320 PS B A35 - A65 [5680H -> 6228-12367]



1	16054404	1	chassis frame
2	16049855	1	support
3	16049856	1	support
4	16049858	1	support
5	01112663	2	screw m 16 x 25
6	01127856	2	nut m 16, d985
7	01112547	8	screw m 12 x 40, d933
8	01102801	8	washer 12
9	01112538	4	screw m 12 x 35, d933
10	06214206	4	washer 13.2
11	06209769	4	nut m 12, d985
12	16003374	1	square
13	16003305	1	square
14	01112439	1	screw m 10 x 35, d933
15	01107165		washer 10.5
16	06209768	3	nut m 10, d985
17	01102800	1	washer 10.2
18	01112538	2	screw m 12 x 35, d933
19	01107163	4	washer 9, d126
20	01104944	2	nut m 8, d985
21	01112264	4	screw m 6 x 20, d933
22	06214189	4	washer 6.4
23	01102797	4	washer 6, d128
24	01112813	4	nut m 6

Section: ENGINE

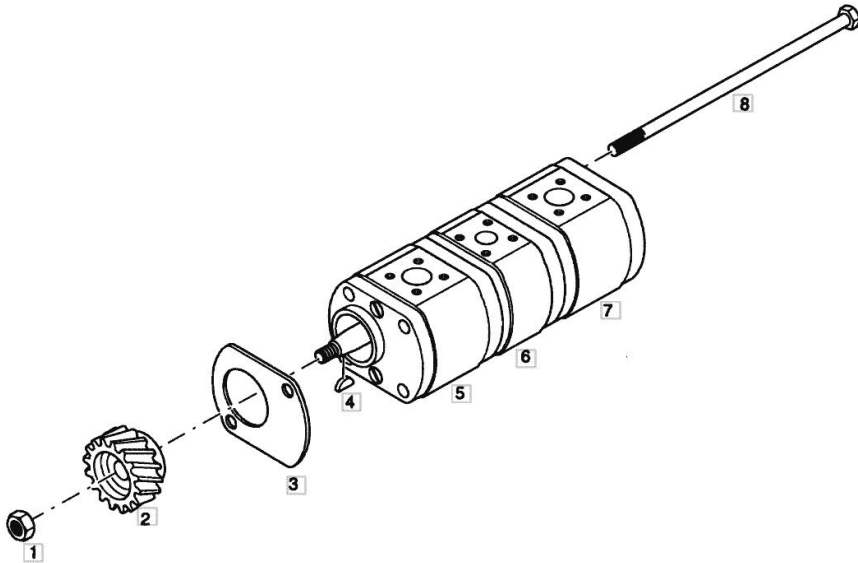
**LUBRICAT. OIL PUMP**

Fig.	P/n	QTY	Name
------	-----	-----	------

**Notes:**

[5680H -&gt; 6228-12367]

1	01262635	1	nut
2	04204925	1	gear
3	02239230	1	gasket
4	04417978	1	key 3x5
5	16055700	1	hydraulic pump 14 cm <sup>3</sup> B D30 WORKING HYDR.SYST.
6	16055701	1	hydraulic pump 4 cm <sup>3</sup> B D30 WORKING HYDR.SYST.
6.1	16055810	1	hydraulic pump 8 cm <sup>3</sup> W / B D30 BALANCE
7	16055702	1	hydraulic pump 8 cc B D30 STEERING HYDRAULIC
8	01144456	2	screw m 10 x 285 STANDARD EQUIPMENT
8.1	01137128	2	screw m 10 x 285 W BALANCE



Section: ENGINE

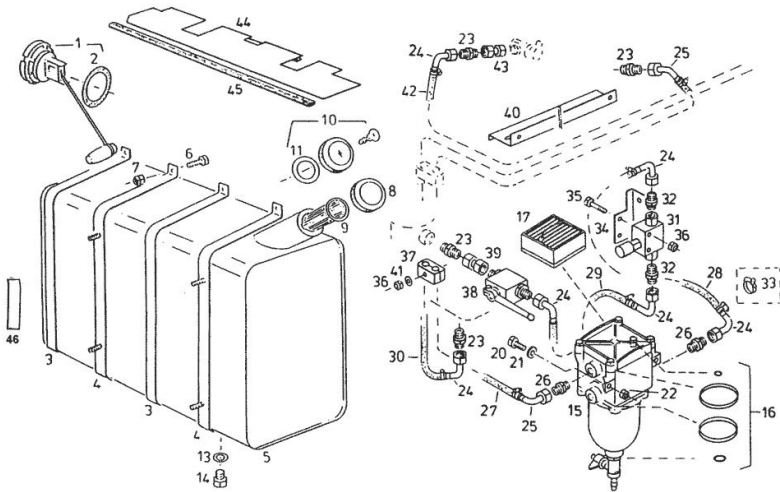
**FUEL TANK**

Fig.	P/n	QTY	Name
------	-----	-----	------

**Notes:**

----- [5680H -&gt; 6228-12367]

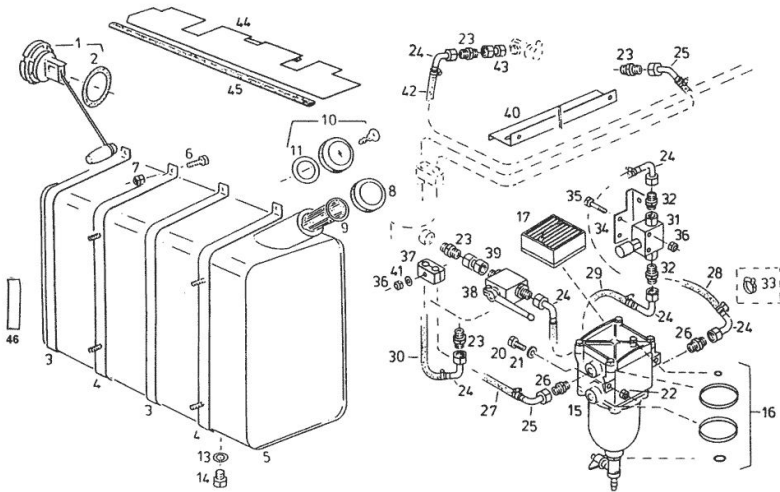
1	16028967	1	temperature gauge
2	06260431		gasket
3	16006397	1	metal strip
4	16006406	1	metal strip
5	16055292	1	fuel tank 555 lt. ☞ 16055292
6	01112547	6	screw m 12 x 40, d933
7	06209769	6	nut m 12, d985
8	01244823	1	plug
9	06255970	1	small mesh
10	01216272	1	cover W
11	01211299		oil seal X 8,10
13	01118700	1	oil seal Ø 16 x 20
14	01118964	2	plug m 16 p.1.5
15	04254437	1	fuel filter element
16	01319823	1	gasket set
17	01319822	1	insert
20	01112322	2	screw m 8 p.1.25 x 20
21	01107101	2	washer 8.4
22	01104944	2	nut m 8, d985
23	16048122	4	pipe fitting GE 15 PL
24	16056913	8	vent Ø 10 / m 22 p.1.5
25	16056910	2	pipe fitting
26	16048123	2	threaded joint ge 15/m22x1,5
27	16056924	1	flexible hose L = mm 3630 G 25,27
28	16056925	1	flexible hose L = mm 300 G 24,28
29	16056975	1	flexible hose L = mm 440 G 24,29
30	16056985	1	flexible hose L = mm 5300 G 24,30
31	02111961	1	pump
32	01177226	2	pipe fitting m 18 p.1.5 x 15
33	01137412		clamp
34	16058142	1	support
35	01102664	2	screw m 6 x 45
36	01114357	6	nut m 6, d985
37	06272953	2	terminal Ø 18



Section: ENGINE

**FUEL TANK**

Fig.	P/n	QTY	Name
38	16056917	1	ball valve
39	16040257	1	tube
40	16058140	1	support
41	06214189	4	washer 6.4
42	16056981	1	flexible hose L = mm 4700
43	16056918	1	reduction
44	16056811	1	hood
45	01390702		gasket PVC 850 MM
46	16062368	4	rubber



Section: ENGINE

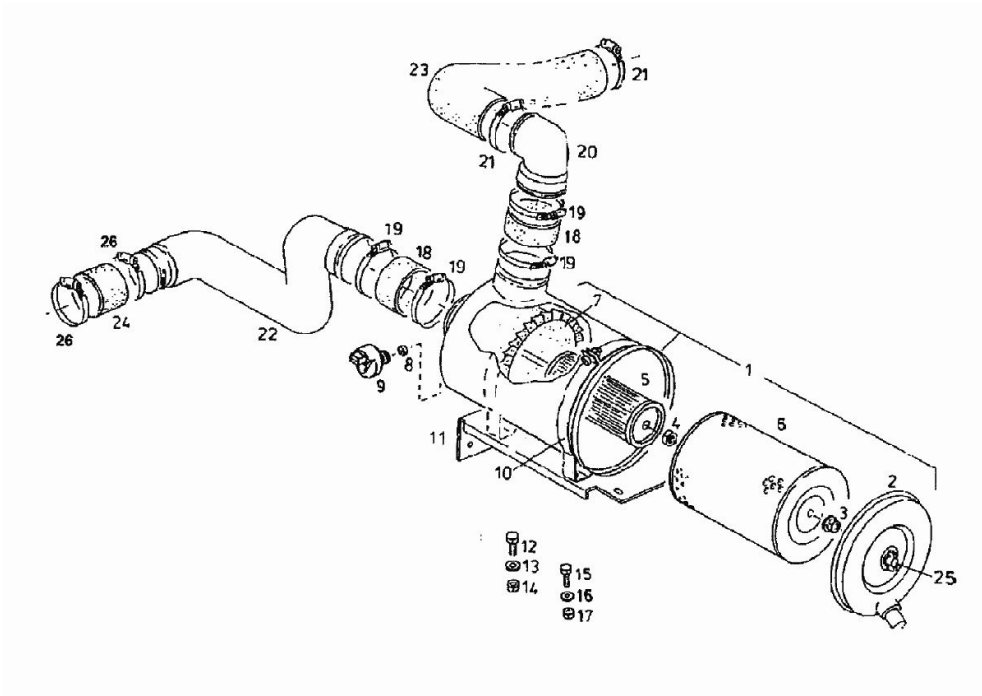
**AIR FILTER**

Fig.	P/n	QTY	Name
------	-----	-----	------

**Notes:**

[5680H -&gt; 6228-12367]

1	16049833	1	air filter ☞ 16049833
2	16053197	1	cap
3	02241268	1	nut
4	01151190	1	nut m16x1,5 d439
5	16053198	1	filter
6	16053199	1	filter
7	16053196	1	ring
8	03363577	1	ring
9	16052332	1	sensor
10	16054474	1	interlock
11	16059909	1	saddle
12	01112515	4	screw m 12 x 25
13	01107110	4	washer 13.5
14	06209769	4	nut m 12, d985
15	01112307	2	screw m 8 p.1.25 x 15, d933
16	06214192	2	washer 8.4
17	01104944	2	nut m 8, d985
18	16054477	2	sleeve
19	16061829	4	clamp Ø 150/170
20	16054476	1	tube
21	01128276	2	clamp Ø 110/130
22	16061149	1	primer
23	16061137	1	flexible hose Ø 130 / L = mm 1945
24	16061724	1	sleeve 130x150
25	02169190	1	nut
26	16061725	2	fascia



Section: ENGINE

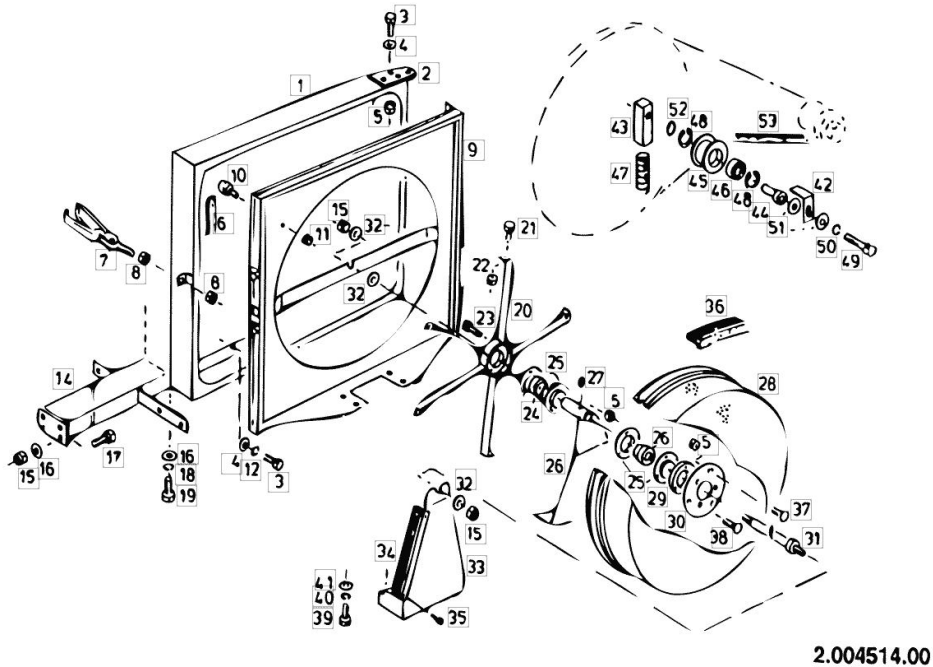
**ENGINE COOLING SYSTEM STRAINER**

Fig.	P/n	QTY	Name
------	-----	-----	------

**Notes:**

[5680H -&gt; 6228-12367]

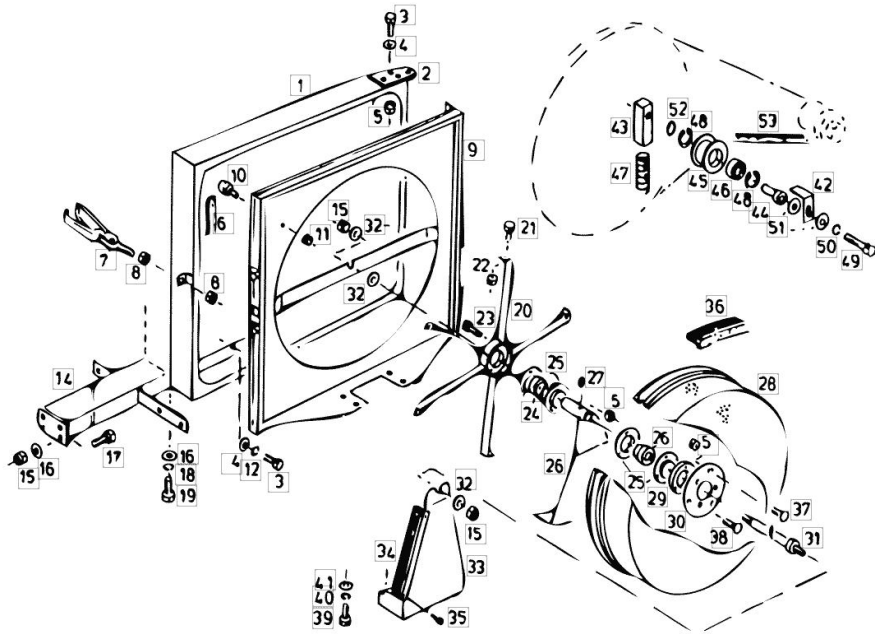
1	16061145	1	chassis frame
2	16049941	1	plate
3	01112330		screw m 8 x 25
4	01107163		washer 9, d126
5	01104944		nut m 8, d985
6	01396986		copper gasket 4300 mm
7	06259239	1	interlock
8	01112858	2	nut m 12, d934
9	16061102	1	chassis frame
10	06253864	1	silent-block
11	01114357	1	nut m 6, d985
12	01102799		washer 8, d128
14	16049880	1	carrier
15	06209769	8	nut m 12, d985
16	06205230		washer 13 x 24 x 2.5
17	01112538	6	screw m 12 x 35, d933
18	01102801	2	washer 12
19	01112515	2	screw m 12 x 25
20	16053693	1	wheel
21	01103316	6	screw m 6 p.1.0 x 16
22	01114357	1	nut m 6, d985
23	01112350	3	screw m 8 x 35
24	06215739	2	bearing yb 20
25	06215781	4	bearing housing rb 20
26	16055226	1	plate
27	01139633	1	grub screw m 6 x 6
28	16055288	1	filtering basket
29	16035507	1	ring 7x12x1800
30	16035511	1	disc
31	16035478	1	shaft m 12
32	01133726	1	washer 13
33	16049857	1	plate
34	16054422	1	brush
35	01143163		screw 4,2x9,5 d7981
36	16055286	1	brush L = mm 3650
36.1	16055287	1	brush L = mm 470
37	01138993	3	screw m 8 x 16
38	01138837	3	screw m 8 x 35
40	01102800	4	washer 10.2
41	01107165	4	washer 10.5
42	16050785	1	angular



Section: ENGINE

**ENGINE COOLING SYSTEM STRAINER**

Fig.	P/n	QTY	Name
43	16050786	1	small block
44	16055271	1	bush
45	16050788	1	tensioner
46	01128197	1	bearing 2 RS
47	06215299	1	spring
48	01107827	2	circlip 40 x 1.75
49	01136993	1	screw m 12 x 70
50	01102801	1	washer 12
51	06214364	2	disc 13.2
52	01107726	1	circlip 17
53	01145970	1	belt 1/10 x 4060Li



2.004514.00

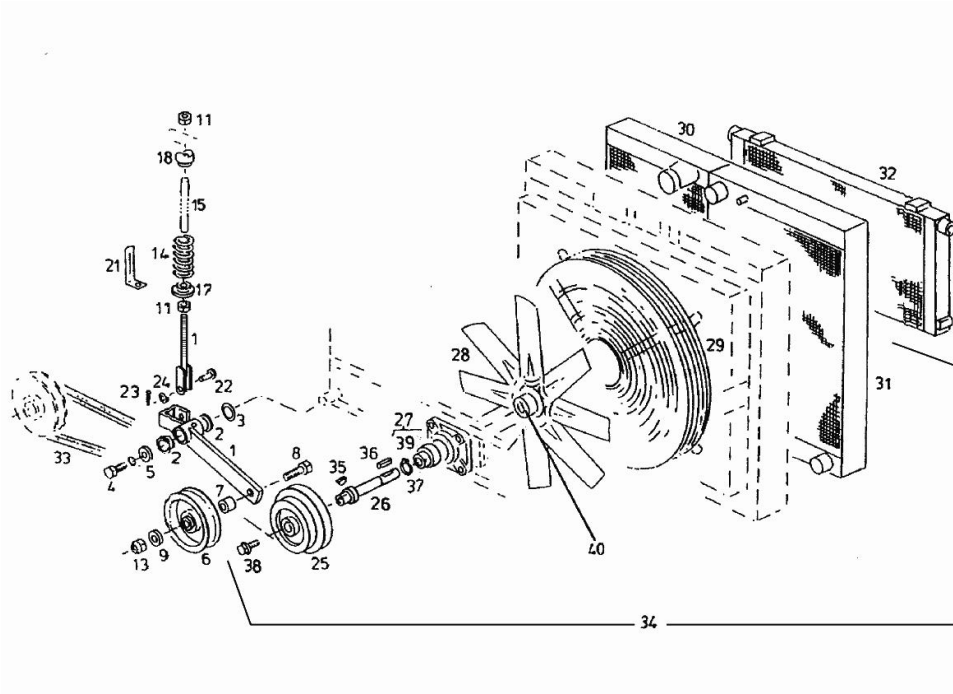
Section: ENGINE

**ENGINE COOLING SYSTEM COMBIN. COOLER**

Fig.	P/n	QTY	Name
------	-----	-----	------

**Notes:**

[5680H -&gt; 6228-12367]



1	16054425	1	lever
2	06260680	2	bush 30 x 45 x 20
3	06214234	2	disc 31 x 45 x 2
4	01112515	1	screw m 12 x 25
5	16012311	1	washer 13
6	06253492	1	tensioner 25,4 / 159
7	16054427	1	bush
8	01122463	1	screw m 16 x 65, d933
9	01107117	1	washer 17
11	01112858	2	nut m 12, d934
13	01136464	1	nut m 16
14	06215418	1	spring
15	06250686	1	tube
16	06501950	1	stay m 12
17	06515117	1	disc
18	06519261	1	disc
21	16046800	1	plate
22	06210009	1	small pin 10 x 28 x 24
23	01132625	1	split pin 3.2 x 20
24	01107165	1	washer 10.5
25	16061736	1	pulley
26	16055802	1	shaft
27	16048782	2	bearing 25
28	16055801	1	rotor
29	16055803	1	guard
30	16061741	1	intercooler
31	16061742	1	water cooler
32	16055806	1	radiator
33	01146013	1	belt 1/17 x 2435Li
34	16061018	1	radiator
35	16055807	1	heelpiece
36	06212426	1	stop 8x7x45 d6885
37	01107737	1	ring 25 x 1,2 d471
38	01143382	1	screw
39	01146031	2	special bearing
40	16058823	1	hub



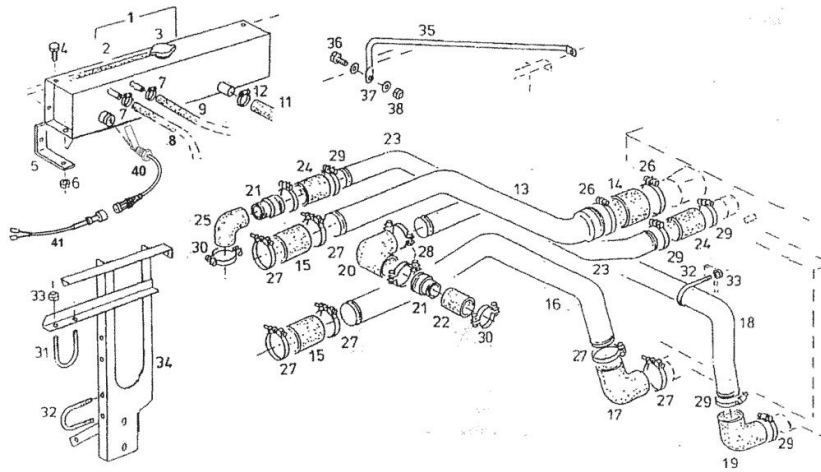
Section: ENGINE

**ENGINE COOLING SYSTEM PIPES**

Fig.	P/n	QTY	Name
------	-----	-----	------

**Notes:**

[5680H -&gt; 6228-12367]



1	16062087	1	small tank
2	16048774	1	flexible hose L-4800 mm
3	16048773	1	cover
4	01112333	6	screw m 8 x 25, d933
5	06513009	1	square
6	01104944	6	nut m 8, d985
7	01173965	5	clamp 10-16/9 h3461
8	16055277	1	flexible hose
9	16055278	1	flexible hose
11	16055276	1	flexible hose Ø 22 / L = mm 1400
12	01133514	2	clamp Ø 20/32
13	16061153	1	piping
14	06258188	1	rubber tube Ø 100
15	16061761	1	rubber tube Ø 80
16	16061154	1	piping
17	16049954	1	rubber tube Ø 80
18	16061152	1	piping
19	16054481	1	flexible hose Ø 70
20	16043511	1	rubber tube Ø 70
21	16038123	2	reduction unit
22	16038977	1	flexible hose 60x70
23	16061142	1	piping
24	01173148	2	rubber tube Ø 70
25	16054482	1	rubber tube Ø 50
26	16055273	2	fascia 116
27	04432121	6	fascia Ø 86/20
28	01145709	2	fascia Ø 20/78
29	01145712	6	fascia Ø 82/20
30	01145710	4	fascia Ø 60/20
31	16061206	2	u bolt 8
32	16049946	3	u bolt m 8
33	01104944	10	nut m 8, d985
34	16061150	1	support
35	16054693	1	tube
36	01112264	2	screw m 6 x 20, d933
37	01119810	3	washer 6.4
38	01114357	2	nut m 6, d985
40	16061798	1	temperature gauge
41	16062294	1	electric cable

Section: ENGINE

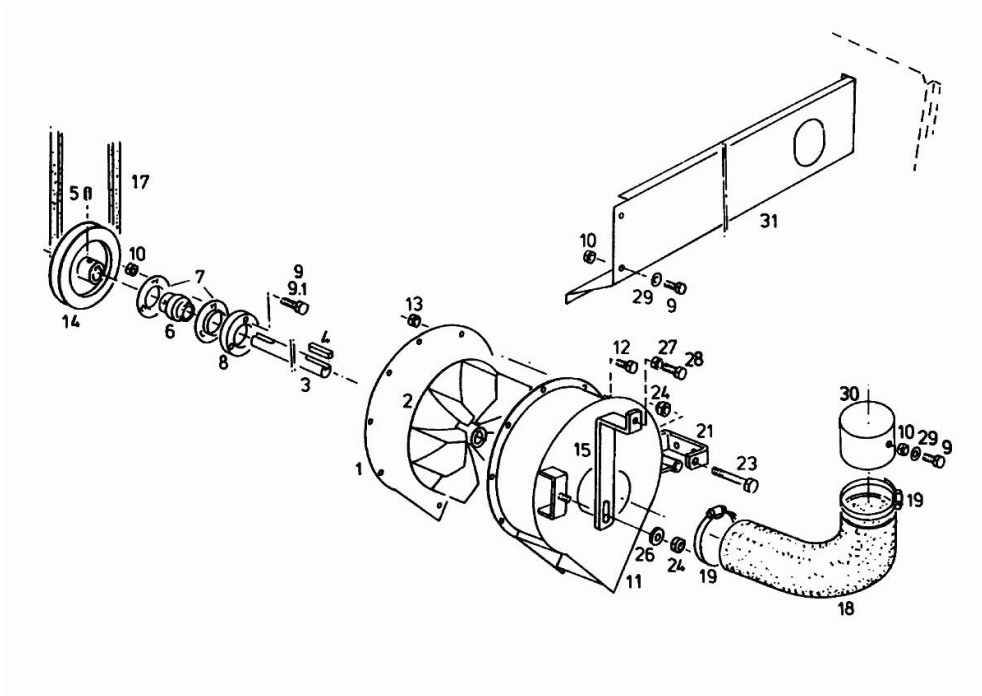
**ENGINE INTAKE FAN**

Fig.	P/n	QTY	Name
------	-----	-----	------

**Notes:**

[5680H -&gt; 6228-12367]

1	16054639	1	cap
2	16054620	1	fan
3	16054645	1	shaft 15.95x19 m10
4	01117995	2	spring washer 6x6x36 d6885
5	06208993	2	grub screw m 8 x 10
6	06215739	2	bearing yb 20
7	06215781	4	bearing housing rb 20
8	16035507	1	ring 7x12x1800
9.1	01112322	9	screw m 8 p.1.25 x 20
10	01104944	9	nut m 8, d985
11	16054615	1	plate
12	01112240	9	screw m 6 x 12
13	01114357	9	nut m 6, d985
14	16054440	1	pulley 1/17x170
15	16054245	1	link
17	01116096	1	belt 1/17 x 2360
18	16055244	1	flexible hose
19	01174127	2	clamp Ø 130/150
21	16054642	1	support
23	06209198	1	screw m 12 x 150, d931
24	06209769	1	nut m 12, d985
25	01123616	1	washer 13.5
26	01133726	1	washer 13
27	01136453	1	nut m 10
28	01112439	1	screw m 10 x 35, d933
29	01107163	3	washer 9, d126
30	16055246	1	tube
31	16055267	1	cover



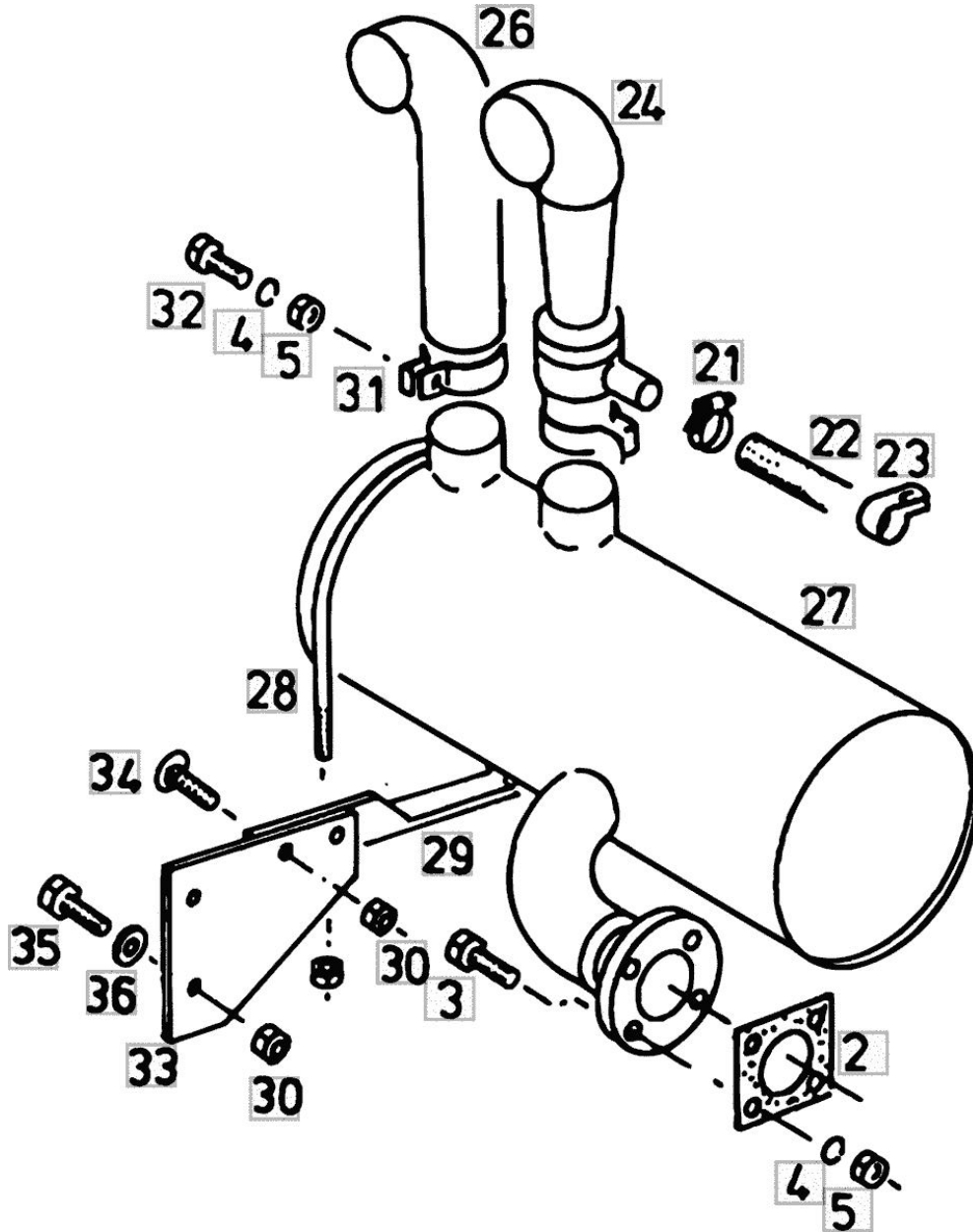
Section: ENGINE

**ENGINE EXHAUST SYSTEM ASSEMBLY PARTS**

Fig.	P/n	QTY	Name
------	-----	-----	------

**Notes:**

[5680H -&gt; 6228-12367]



2	04157260	1	gasket
3	06209433	4	screw m 10 x 40
4	01102800	5	washer 10.2
5	01102659	5	nut m 10, d934
11	01112429	2	screw m 10 x 30, d933
12	01102800	2	washer 10.2
13	01107165	2	washer 10.5
17	06279395	2	fascia
18	01112333	2	screw m 8 x 25, d933
19	01102799	2	washer 8, d128
20	01112824	2	nut m 8, d934
21	01173968	2	clamp Ø 25/40
22	16055270	1	flexible hose Ø 32 / L = mm 3700
23	04336881	4	clamp Ø 38
24	06513395	1	tube
25	16010596	1	pin
26	16029496	1	exhaust pipe
27	16022118	1	silencer
28	16022128	1	u bolt m 8
29	16054400	1	support
30	01104944	2	nut m 8, d985
31	01120895	1	fascia Ø 75
32	06209433	2	screw m 10 x 40
33	16054401	1	support

Thank you so much for reading.  
Please click the “Buy Now!”  
button below to download the  
complete manual.



After you pay.

You can download the most  
perfect and complete manual in  
the world immediately.

Our support email:

[ebooklibonline@outlook.com](mailto:ebooklibonline@outlook.com)