

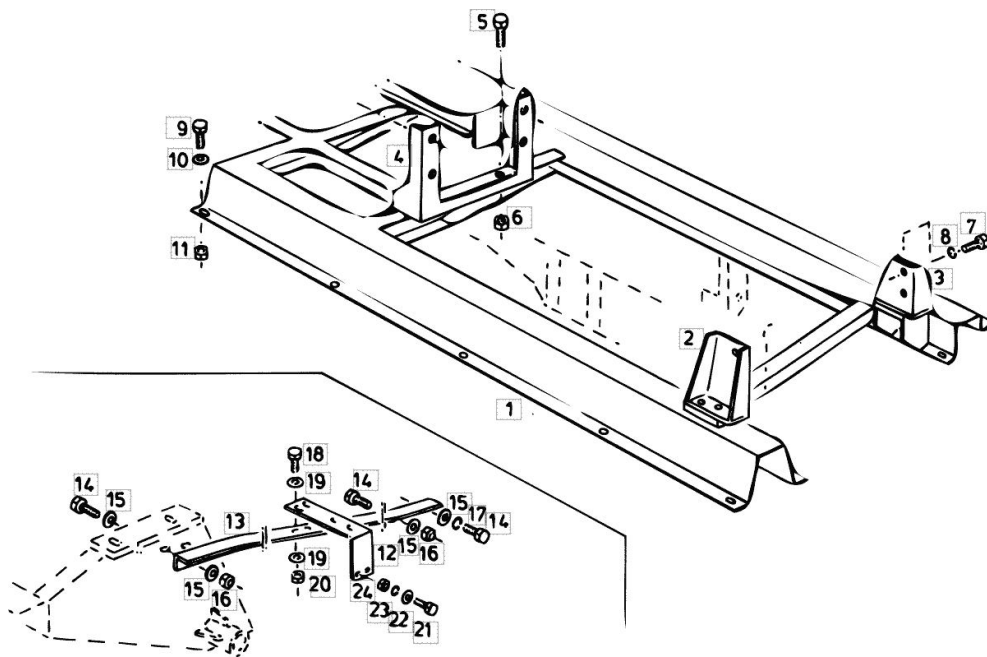
Section: ENGINE

ENGINE ASSEMBLY PARTS BF 6M 1013

| Fig. | P/n | QTY | Name |
|------|-----|-----|------|
|------|-----|-----|------|

Notes:

MOTOR BF 6M 1013 FC 206 KW / 280 PS TYP 5680 MOTOR BF 6M 1013 FC 235 KW / 320 PS TYP 5690
[5690 -> 6228-12226]



| | | | |
|----|----------|---|-----------------------|
| 1 | 16054404 | 1 | chassis frame |
| 2 | 16049855 | 1 | support |
| 3 | 16049856 | 1 | support |
| 4 | 16049858 | 1 | support |
| 5 | 01112663 | 2 | screw m 16 x 25 |
| 6 | 01127856 | 2 | nut m 16, d985 |
| 7 | 01112547 | 8 | screw m 12 x 40, d933 |
| 8 | 01102801 | 8 | washer 12 |
| 9 | 01112538 | 4 | screw m 12 x 35, d933 |
| 10 | 06214206 | 4 | washer 13.2 |
| 11 | 06209769 | 4 | nut m 12, d985 |
| 12 | 16003374 | 1 | square |
| 13 | 16003305 | 1 | square |
| 14 | 01112439 | 1 | screw m 10 x 35, d933 |
| 15 | 01107165 | | washer 10.5 |
| 16 | 06209768 | 3 | nut m 10, d985 |
| 17 | 01102800 | 1 | washer 10.2 |
| 18 | 01112538 | 2 | screw m 12 x 35, d933 |
| 19 | 01107163 | 4 | washer 9, d126 |
| 20 | 01104944 | 2 | nut m 8, d985 |
| 21 | 01112264 | 4 | screw m 6 x 20, d933 |
| 22 | 06214189 | 4 | washer 6.4 |
| 23 | 01102797 | 4 | washer 6, d128 |
| 24 | 01112813 | 4 | nut m 6 |

Section: ENGINE

PLUG

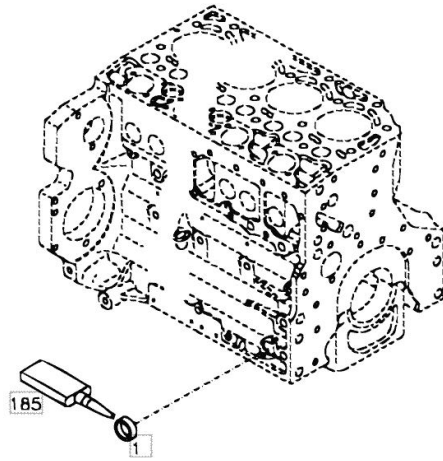
| Fig. | P/n | QTY | Name |
|------|-----|-----|------|
|------|-----|-----|------|

Notes:

[5690 -> 6228-12226]

| | | | |
|-----|----------|---|--|
| 1 | 01179634 | 1 | plug H 002860-A36-ST-FE/ZNPHR |
| 185 | 01016127 | | sealing compound ml. 50 H 000699-DEUTZ DW 72- 50 ML |

001 ©



Section: ENGINE

FASTENINGS

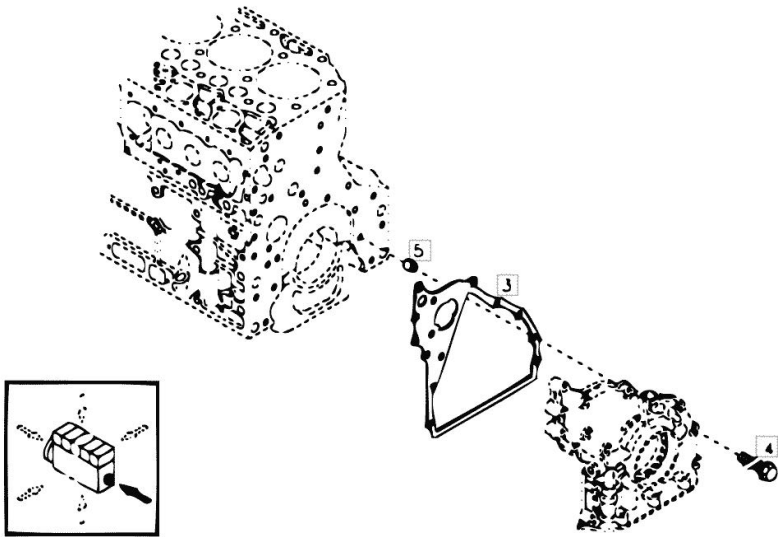
| Fig. | P/n | QTY | Name |
|------|-----|-----|------|
|------|-----|-----|------|

Notes:

[5690 -> 6228-12226]

| | | | |
|---|----------|----|---|
| 3 | 04204450 | 1 | gasket |
| 4 | 01143362 | 14 | screw EN 001662-F-M 8 X 35- 10.9-A4C |
| 5 | 01181406 | 1 | bushing H 002341-B11X 8-FE/ZN12C* |

00' ©



Section: ENGINE

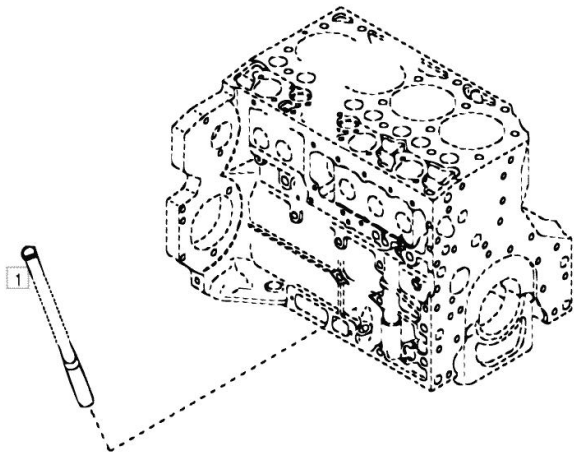
GUIDE PIPE

| Fig. | P/n | QTY | Name |
|------|-----|-----|------|
|------|-----|-----|------|

Notes:

[5690 -> 6228-12226]

| | | | |
|---|----------|---|-------|
| 1 | 04204590 | 1 | guide |
|---|----------|---|-------|



000 ©

Section: ENGINE

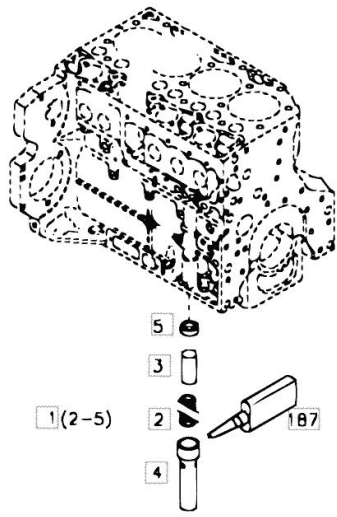
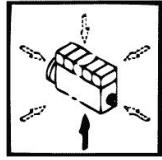
OIL PRESSUR.SWITCH

| Fig. | P/n | QTY | Name |
|------|-----|-----|------|
|------|-----|-----|------|

Notes:
[5690 -> 6228-12226]

| | | | |
|-----|----------|---|--|
| 1 | 04207119 | 1 | valve WITH ITEM (2-5) |
| 2 | 04200782 | 1 | spring |
| 3 | 04207120 | 1 | piston |
| 4 | 04207121 | 1 | spacer |
| 5 | 04201794 | 1 | ring |
| 187 | 01016123 | | small plate H 000699-DEUTZ DW 71- 50 ML |

002 ©



Section: ENGINE

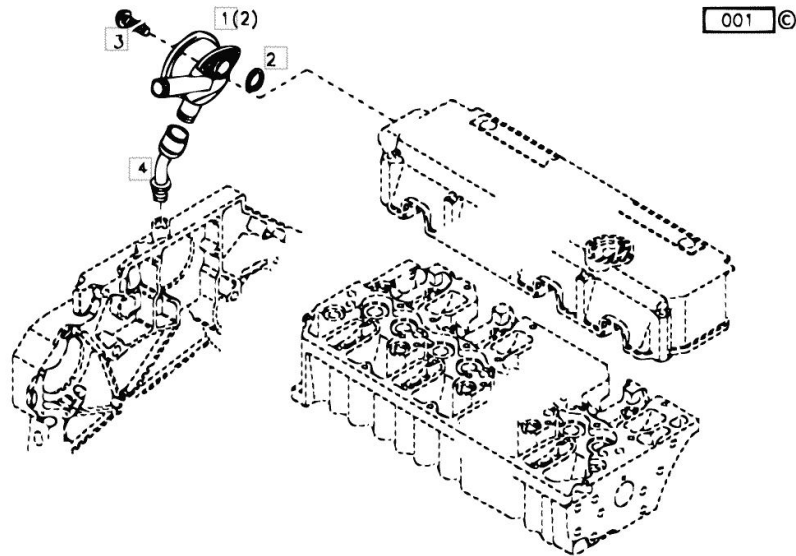
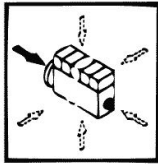
CRANKCASE VENT

| Fig. | P/n | QTY | Name |
|------|-----|-----|------|
|------|-----|-----|------|

Notes:

[5690 -> 6228-12226]

| | | | |
|---|----------|---|--|
| 1 | 04207651 | 1 | valve WITH ITEM (2) |
| 2 | 04207649 | 1 | ring |
| 3 | 01180218 | 2 | screw EN 001662-F-M 6 X 20- 10.9-GESCHW |
| 4 | 04207290 | 1 | pipng |



Section: ENGINE

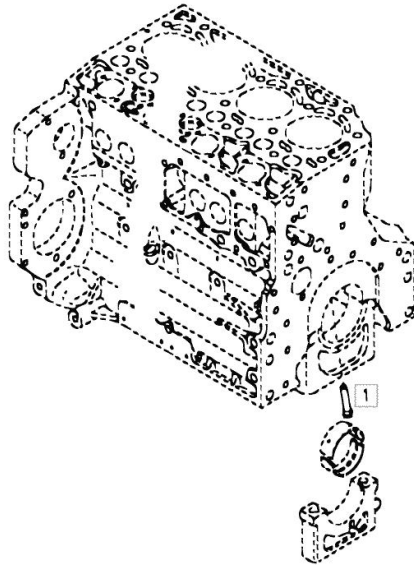
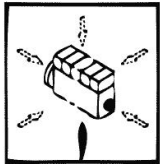
PISTON COOL.NOZZLE

| Fig. | P/n | QTY | Name |
|------|-----|-----|------|
|------|-----|-----|------|

Notes:

[5690 -> 6228-12226]

| | | | |
|---|----------|---|----------|
| 1 | 04207521 | 1 | sprayers |
|---|----------|---|----------|



001 ©

Section: ENGINE

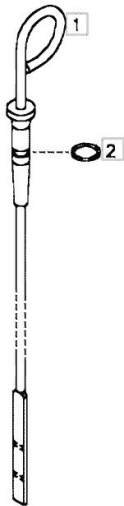
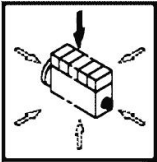
DIPSTICK

| Fig. | P/n | QTY | Name |
|------|-----|-----|------|
|------|-----|-----|------|

Notes:

[5690 -> 6228-12226]

| | | | |
|---|----------|---|---|
| 1 | 01181382 | 1 | stick H 003535-AV - 247- 214X 18- 38 |
| 2 | 01174311 | 1 | oil seal H 002927- 4,3 X 2,4 -FPM-1-70 |



000 ©

Section: ENGINE

FRONT COVER

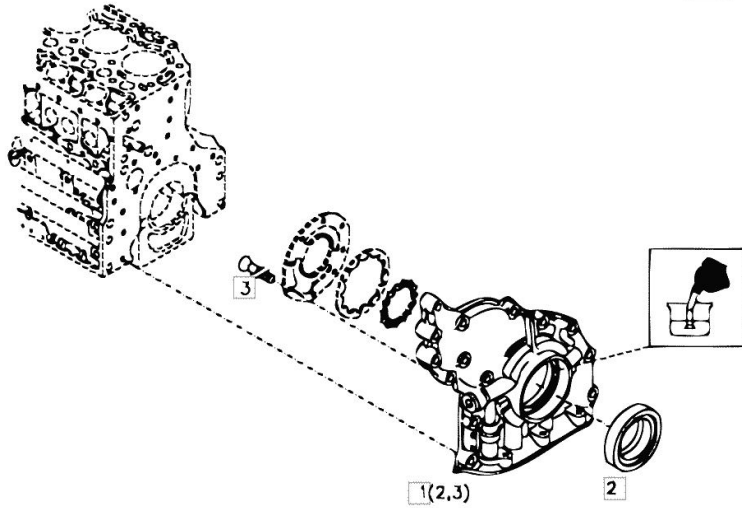
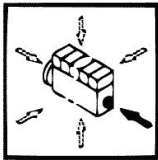
| Fig. | P/n | QTY | Name |
|------|-----|-----|------|
|------|-----|-----|------|

Notes:

[5690 -> 6228-12226]

| | | | |
|---|----------|---|--|
| 1 | 04259226 | 1 | cover WITH ITEM (2,3) |
| 2 | 04253373 | 1 | oil seal |
| 3 | 01133718 | 8 | screw DIN 007991-M 6 X 16- 8.8 -A4C |

000 ©



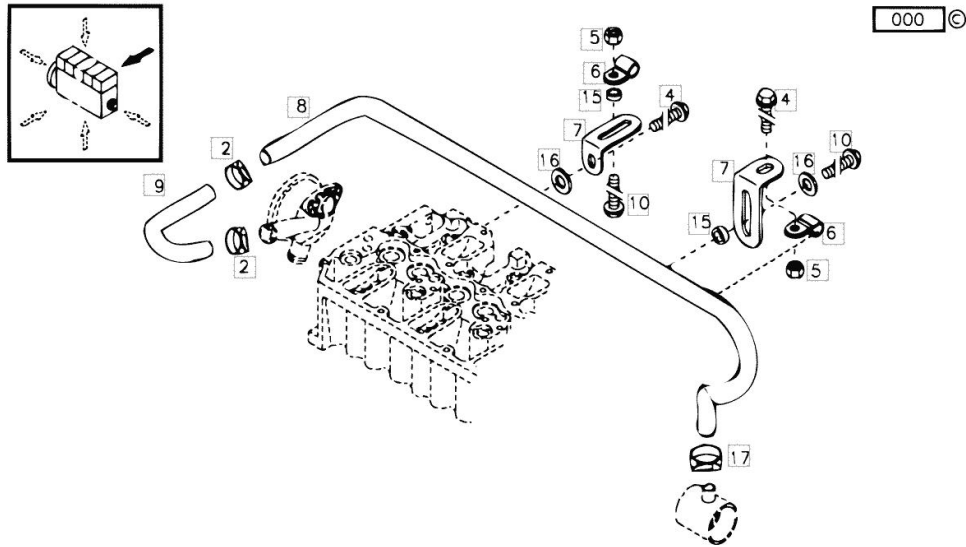
Section: ENGINE

BLEEDING TUBE

| Fig. | P/n | QTY | Name |
|------|-----|-----|------|
|------|-----|-----|------|

Notes:

[5690 -> 6228-12226]



| | | | |
|----|----------|---|--|
| 2 | 01178750 | 2 | clamp DIN 003021-A- 29X15 |
| 4 | 01181433 | 2 | screw EN 001662-F-M 8 X 20-LG 2,5-10.9-ZNAL-A |
| 5 | 01112824 | 2 | nut m 8, d934 ISO 004032-M 8 - 8-A4C |
| 6 | 01178181 | 2 | fascia H 003223-C22X20-ST/MVQ -1-70 |
| 7 | 04204250 | 2 | bracket |
| 8 | 04259946 | 1 | tube |
| 9 | 04198572 | 1 | tube |
| 10 | 01181432 | 2 | screw m8x30 EN 001662-F-M 8 X 30- 10.9-ZNAL-A |
| 15 | 03363990 | 2 | bushing |
| 16 | 02404201 | 2 | washer |
| 17 | 01179332 | 1 | clamp DIN 003021-A- 30X15 |

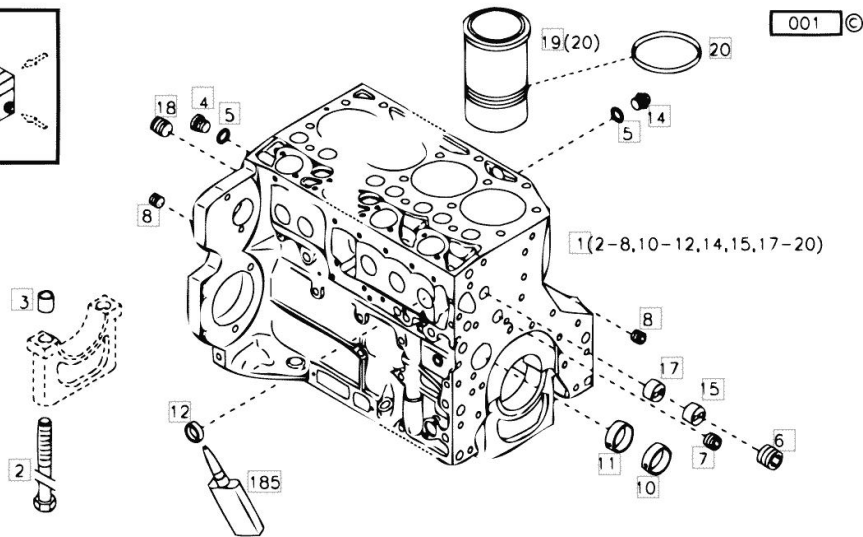
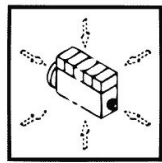
Section: ENGINE

CRANK CASE

| Fig. | P/n | QTY | Name |
|------|-----|-----|------|
|------|-----|-----|------|

Notes:

[5690 -> 6228-12226]



| | | | |
|-----|----------|----|--|
| 1 | 04282826 | 1 | crankcase WITH ITEM (2-8,10-12,14,15,17-20) |
| 2 | 04251254 | 14 | screw |
| 3 | 04200078 | 14 | bushing |
| 4 | 01110423 | 2 | screw DIN 000908-M14X1,5-ST-ZNPHRF |
| 5 | 01118693 | 4 | gasket 14x20 DIN 007603-A 14 X 20 -CU |
| 6 | 01180890 | 1 | screw H 002812-906-M30X1,5-ST-A4C-PRE80 |
| 7 | 01180906 | 1 | screw H 002812-906-M22X1,5-ST-A4C-PRE80 |
| 8 | 01180891 | 2 | screw H 002812-906-M14X1,5-ST-A4C-PRE80 |
| 10 | 04200021 | 6 | bushing |
| 11 | 04200022 | 1 | bushing |
| 12 | 01179635 | 10 | plug H 002860-A45-ST-FE/ZNPHR |
| 14 | 01100940 | 2 | screw DIN 007604-AM14X1,5 -ST-A4C |
| 15 | 04202518 | 1 | sleeve |
| 17 | 04202517 | 1 | sleeve |
| 18 | 01182030 | 1 | screw H 002812-2838-M22X1,5-ST-LOCTITE 5061* |
| 19 | 04253772 | 6 | engine cylinder WITH ITEM (20) |
| 20 | 01181178 | 2 | special oil seal H 002927-112 X 3,0 -FPM-2-70 |
| 185 | 01016127 | 1 | sealing compound ml. 50 H 000699-DEUTZ DW 72- 50 ML |

Thank you so much for reading.
Please click the “Buy Now!”
button below to download the
complete manual.



After you pay.

You can download the most
perfect and complete manual in
the world immediately.

Our support email:

ebooklibonline@outlook.com