

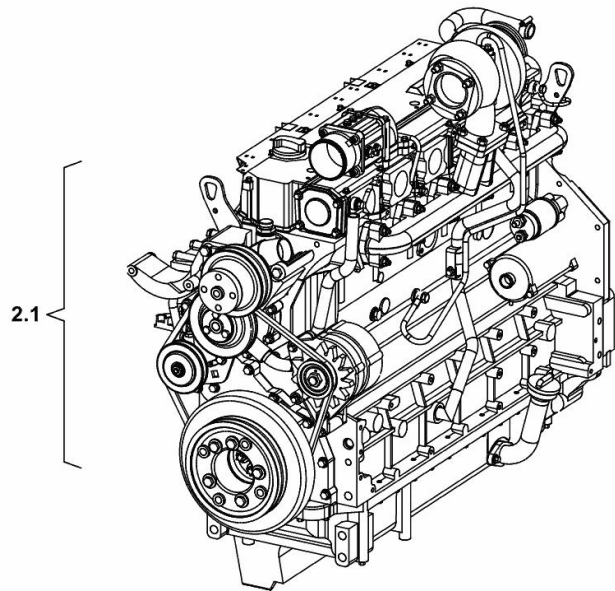
DEUTZ ENGINE 235 kW / 320 HP

Fig.	P/n	QTY	Name
------	-----	-----	------

Notes:

BF 6M 1013 EC [5690 H COM 2 ->12858]

2.1	25004945	1	engine BF 6 M 1013 EC ON ORDERING PLEASE ENGINE NO. REQUIRED
-----	----------	---	--



H9_Z52A0_00_0-A-001

Section: B0 - ENGINE

FASTENINGS

Fig.	P/n	QTY	Name
------	-----	-----	------

Notes:

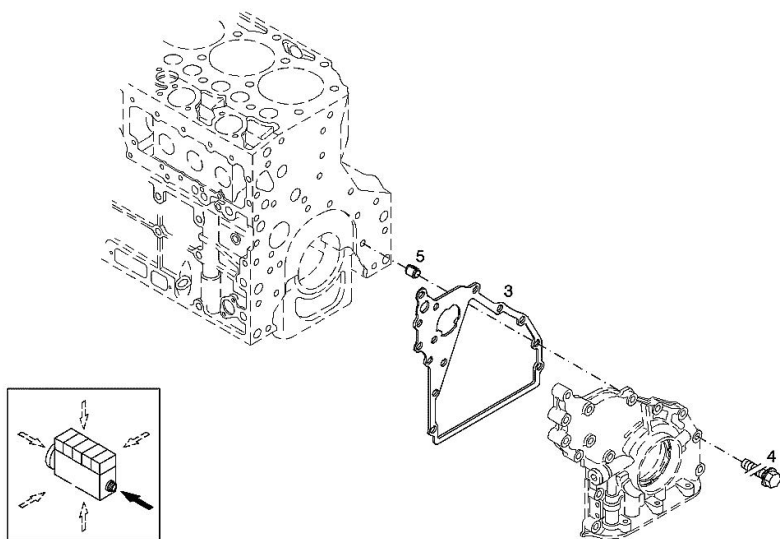
[5690 H COM 2 ->12858]

Engine serial number:

10097077 10097084 10099929 10099970 10099974 10100853 10100857 10637101 10637103

3	04910582	1	gasket
4	01143362	14	screw
			5 Nm, 30 Nm consult workshop manual 5 Nm, 21 Nm consult workshop manual
			EN 1662 -F-M8X35-10.9-A4C
5	01181406	1	bushing
			H 2341 -B11X8-FE/ZN12C*

001 ©



Section: B0 - ENGINE
SERIE GUARNIZIONI

Fig.	P/n	QTY	Name
------	-----	-----	------

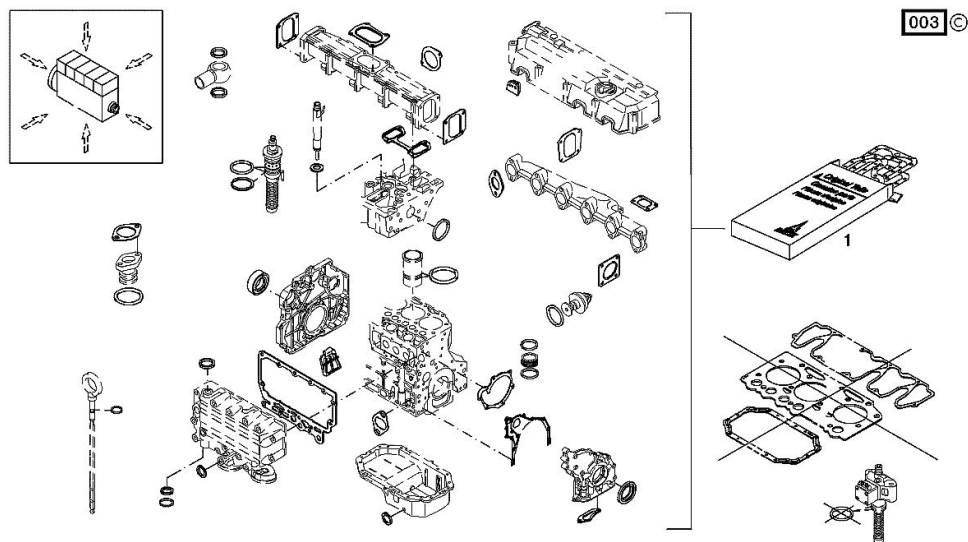
Notes:

[5690 H COM 2 ->12858]

Engine serial number:

10097077 10097084 10099929 10099970 10099974 10100853 10100857 10637101 10637103

1	02937627	1	gasket set The gasket kit does not contain: GASKET IN FIG. (SM 0199-99-9449)
---	----------	---	---



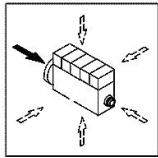
Section: B0 - ENGINE
CRANKCASE BREATHER

Fig.	P/n	QTY	Name
------	-----	-----	------

Notes:
 [5690 H COM 2 ->12858]

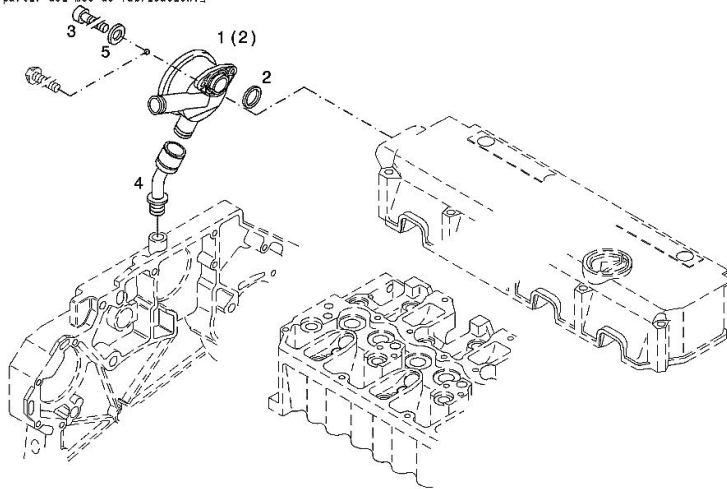
Engine serial number:
 10097077 10097084 10099929 10099970 10099974 10100853 10100857 10637101 10637103

1	04255055	1	valve WITH POS.... (2)
2	04207649	1	ring
3	01148431	2	screw - FROM THE MONTH OF ASSEMBLY SEE POS. (B) - UP TO THE MONTH OF ASSEMBLY (A) FROM THE MONTH OF ASSEMBLY A = 09.1995 B = POS. 950 ISO 4762 -M6X20-8.8-ZNAL-A
4	04207290	1	pipng
5	01124654	2	washer 6,4 d433 ISO 7092 -6-140HV-A4C*
950	01181965	2	screw - UP TO MONTH OF ASSEMBLY (A) - FROM MONTH OF ASSEMBLY SEE POS. (B) A = 08.1995 B = POS. 3 EN 1662 -F-M6X20-10.9-ZNAL-A



ab Baumont:
 from month of manufacture:
 a partir mois de montage:
 a partir del mes de fabricacion: 09.95

002 ©



Section: B0 - ENGINE

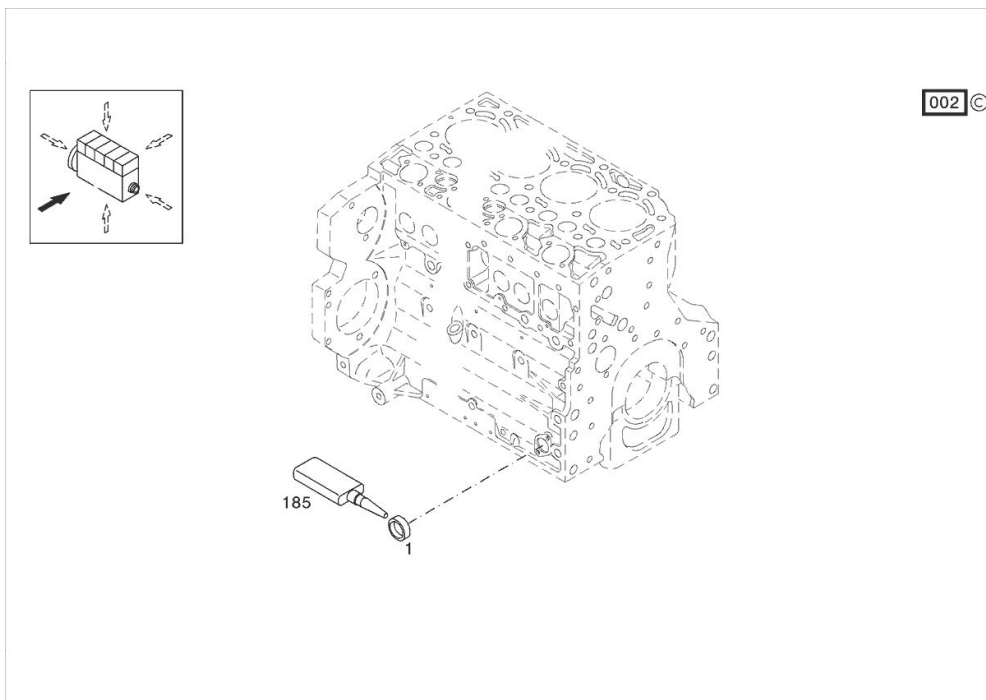
PLUG

Fig.	P/n	QTY	Name
------	-----	-----	------

Notes:

[5690 H COM 2 ->12858]

1	01148031	1	plug DIN 443 -A36-ZNPHR
185	01319911	1	sealing compound ml. 50



Section: B0 - ENGINE

ACCESSORIES

Fig.	P/n	QTY	Name
------	-----	-----	------

Notes:

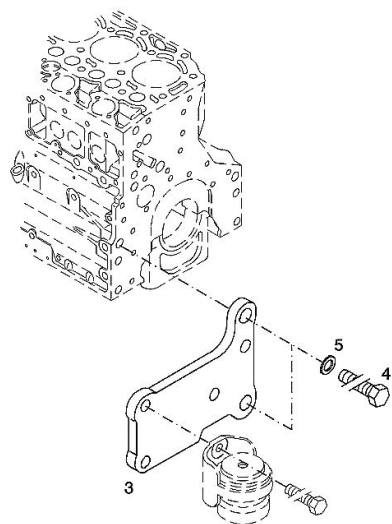
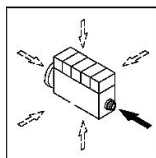
[5690 H COM 2 ->12858]

Engine serial number:

10097077 10097084 10099929 10099970 10099974 10100853 10100857 10637101 10637103

3	04288660	1	support
4	01148261	2	screw ISO 4017 -M16X40-10.9-ZNAL-A
5	01181400	2	washer H 2308 -18X25X1,5-A4C

003 ©



Section: B0 - ENGINE

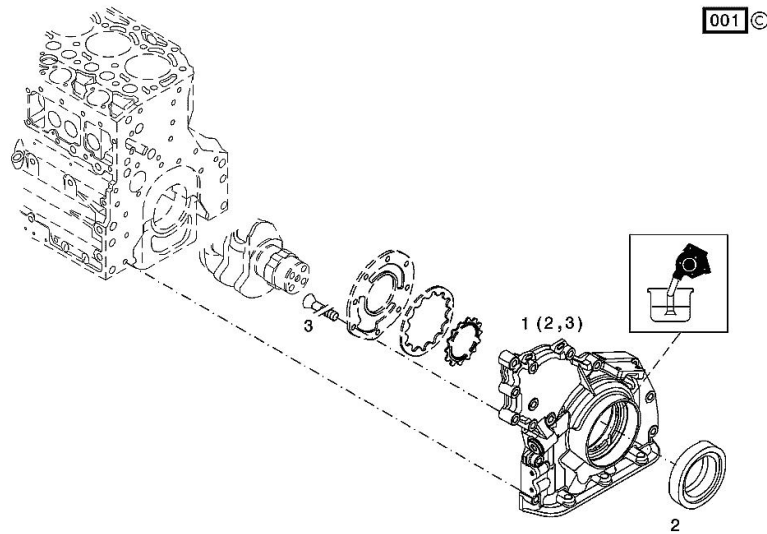
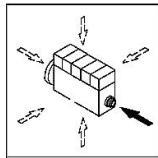
FRONT COVER

Fig.	P/n	QTY	Name
------	-----	-----	------

Notes:

[5690 H COM 2 ->12858]

1	04259226	1	cover WITH POS.... (2,3)
2	04253373	1	oil seal
3	01133718	8	screw DIN 7991 -M6X16-8.8-A4C



Section: B0 - ENGINE

FRONT COVER

Fig.	P/n	QTY	Name
------	-----	-----	------

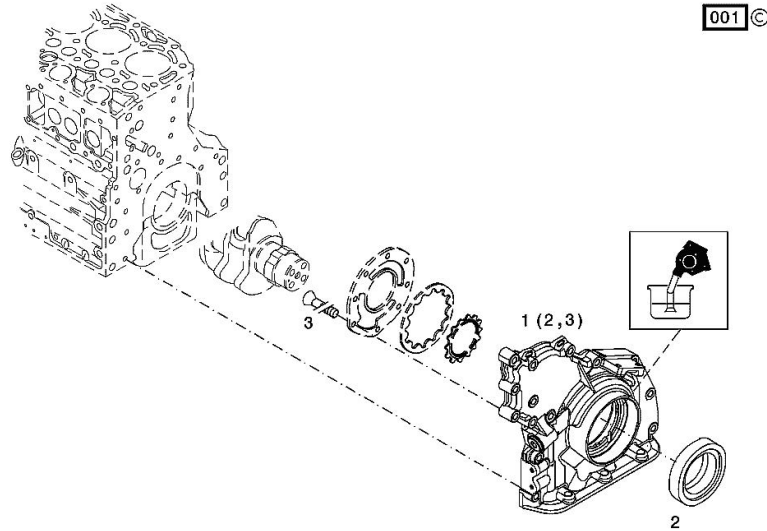
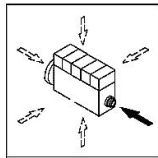
Notes:

[5690 H COM 2 ->12858]

Engine serial number:

10097077 10097084 10099929 10099970 10099974 10100853 10100857 10637101 10637103

1	04289742	1	cap WITH POS.... (2,3)
2	04253373	1	oil seal
3	01133718	8	screw DIN 7991 -M6X16-8.8-A4C



Section: B0 - ENGINE

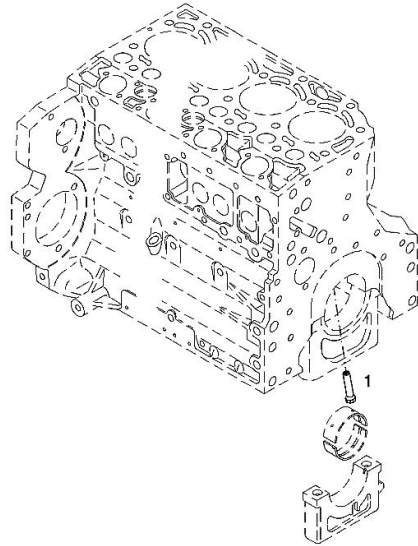
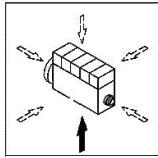
PISTON COOL.NOZZLE

Fig.	P/n	QTY	Name
------	-----	-----	------

Notes:

[5690 H COM 2 ->12858]

1	04207521	1	sprayers
---	----------	---	----------



001 ©

Section: B0 - ENGINE

ACCESSORIES

Fig.	P/n	QTY	Name
------	-----	-----	------

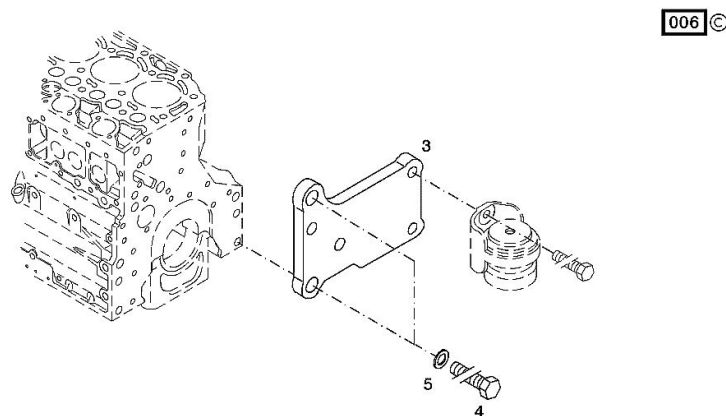
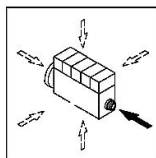
Notes:

[5690 H COM 2 ->12858]

Engine serial number:

10097077 10097084 10099929 10099970 10099974 10100853 10100857 10637101 10637103

3	04288659	1	support
4	01148261	2	screw ISO 4017 -M16X40-10.9-ZNAL-A
5	01181400	2	washer H 2308 -18X25X1,5-A4C



OIL PRESSUR.SWITCH

Fig.	P/n	QTY	Name
------	-----	-----	------

Notes:

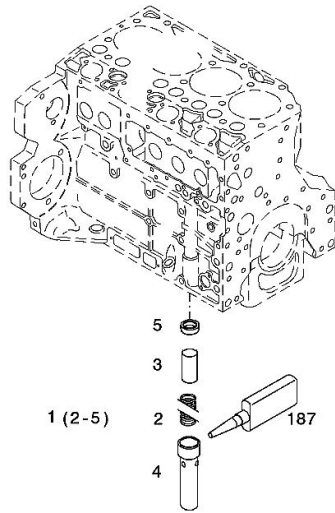
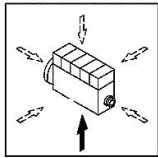
[5690 H COM 2 ->12858]

Engine serial number:

10097077 10097084 10099929 10099970 10099974 10100853 10100857 10637101 10637103

1	04207119	1	valve WITH POS.... (2-5)
2	04200782	1	spring
3	04207120	1	piston
4	04207121	1	spacer
5	04201794	1	ring
187	01016123	1	small plate H 0699 -DEUTZDW71-50ML

002 ©



Thank you so much for reading.
Please click the “Buy Now!”
button below to download the
complete manual.



After you pay.

You can download the most
perfect and complete manual in
the world immediately.

Our support email:

ebooklibonline@outlook.com