

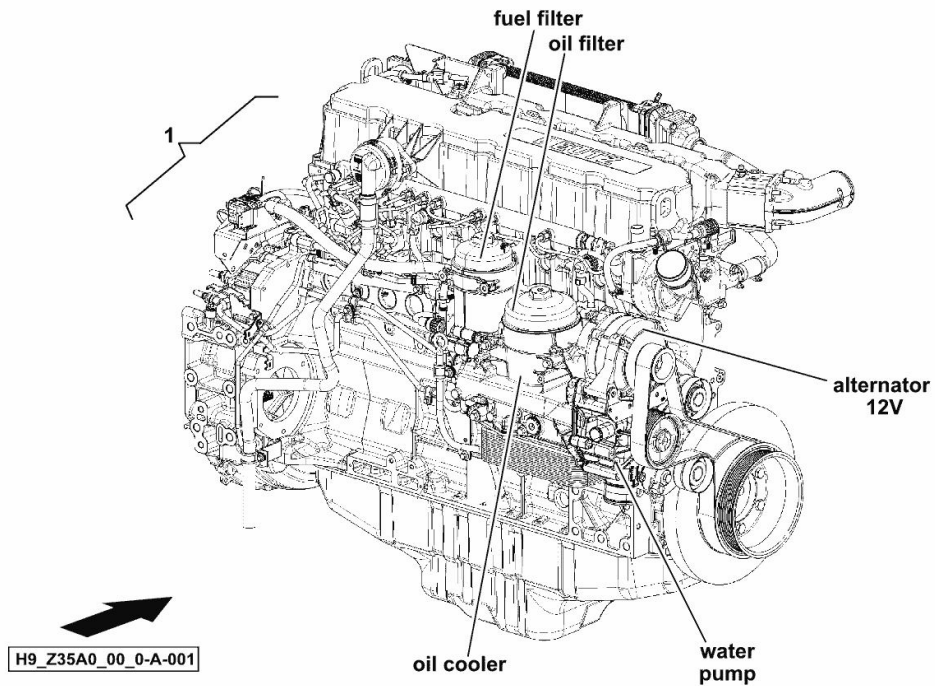
DEUTZ ENGINE 228 kW / 310 CV

Fig.	P/n	QTY	Name
------	-----	-----	------

Notes:

[5690 HTS COM 3 ->13900]

1	25007609	1	engine TCD 2013 L06-4V ON ORDERING PLEASE ENGINE NO. REQUIRED
---	----------	---	---



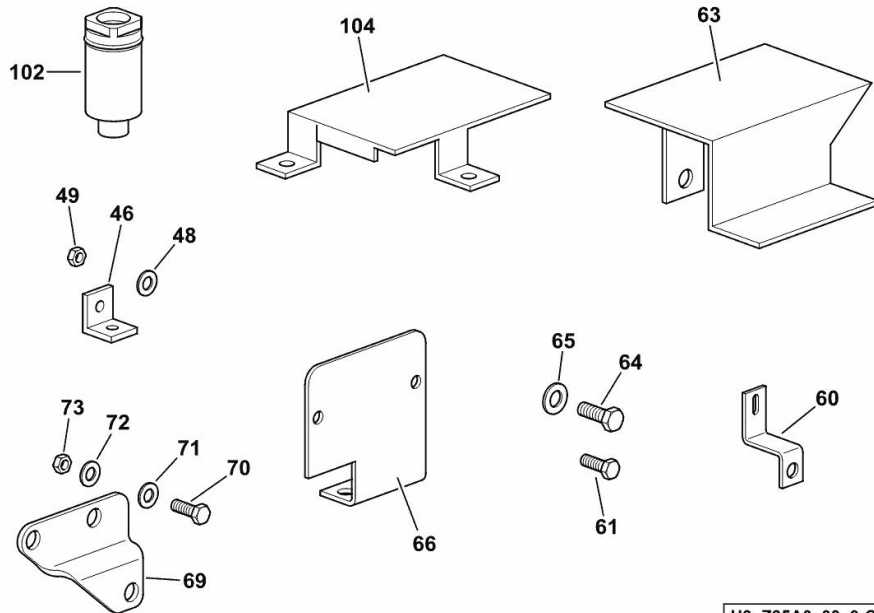
ACCESSORIES

Fig.	P/n	QTY	Name
------	-----	-----	------

Notes:

[5690 HTS COM 3 ->13900]

46	16006188	1	angular
48	01102797	2	washer 6, d128
49	01112813	2	nut m 6
60	16062441	1	square
61	01112264	1	screw m 6 x 20, d933
63	16062706	1	guard
64	01112299	1	screw m 8 x 12, d933
65	01102799	1	washer 8, d128
66	16062978	1	guard
69	0.017.5544.0	1	bracket
70	2.0114.207.2	2	screw m 8 p.1.25 x 20
71	2.1474.009.2	1	spring washer 8
72	2.1310.004.2	2	flat washer 8.4x17
73	2.1120.005.2	1	nut m 8 p.1.25
102	16064238	1	vent
104	16064187	1	small guard



H9_Z35A0_00_0-C-001

Section: B0 - ENGINE
SERIE GUARNIZIONI

Fig.	P/n	QTY	Name
------	-----	-----	------

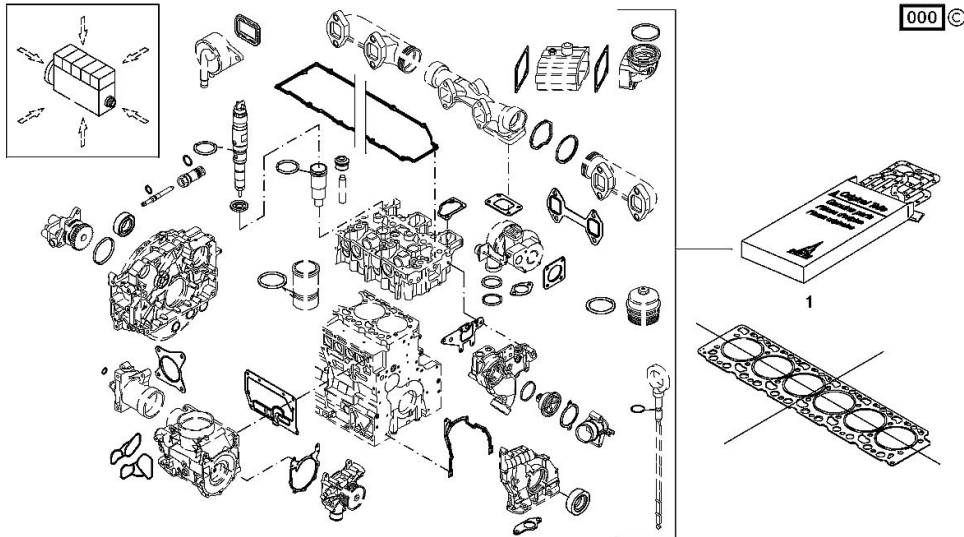
Notes:

[5690 HTS COM 3 ->13900]

Engine serial number:

10547559 10619647 10621388 10634612

1	02937644	1	gasket set THE KIT DOES NOT CONTAIN ALL THE GASKETS: SEE SM 0199-99-9449
---	----------	---	--



FASTENINGS

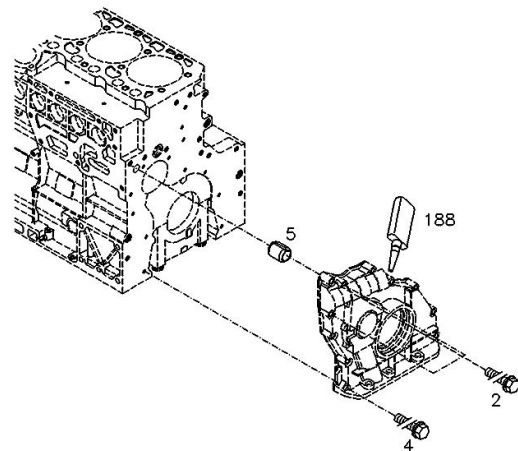
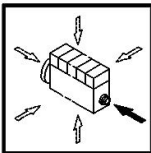
Fig.	P/n	QTY	Name
------	-----	-----	------

Notes:

[5690 HTS COM 3 ->13900]

Engine serial number:

10547559 10619647 10621388 10634612 10745353 10755386 10755387 10755388 10755390 10755391 10755392
 10755393 10755394 10755395 10755396 10755397 10755399 10755400 10755401 10755403 10755404 10755405
 10764841 10764843 10765284 10765286 10765289 10765290 10765292 10765293 10765295 10765296 10765297
 10765298 10765299 10768183 10768184 10768186 10773064 10773066 10773069 10773224 10773225 10773230
 10773231 10773232 10773233 10774149 10774151 10774152 10774153 10774154 10774155 10774156 10774157
 10774158 10774159 10774160 10774161 10774162 10774163 10774166 10778644 10778646 10778650 10778651
 10778652 10778654 10778655 10778656 10778657 10778658 10781727 10782168 10782169 10782171 10782172
 10786470 10786471 10786473 10786827 10786829



000 ©

2	01180114	3	screw EN 1662 -F-M8X70-10.9-GESCHW
4	01143362	8	screw EN 1662 -F-M8X35-10.9-A4C
5	01181406	1	bushing H 2341 -B11X8-FE/ZN12C*
6	04294952	1	gasket
188	01016122	1	gasket H 0699 -DEUTZDW67-250ML

Section: B0 - ENGINE
SERIE GUARNIZIONI

Fig.	P/n	QTY	Name
------	-----	-----	------

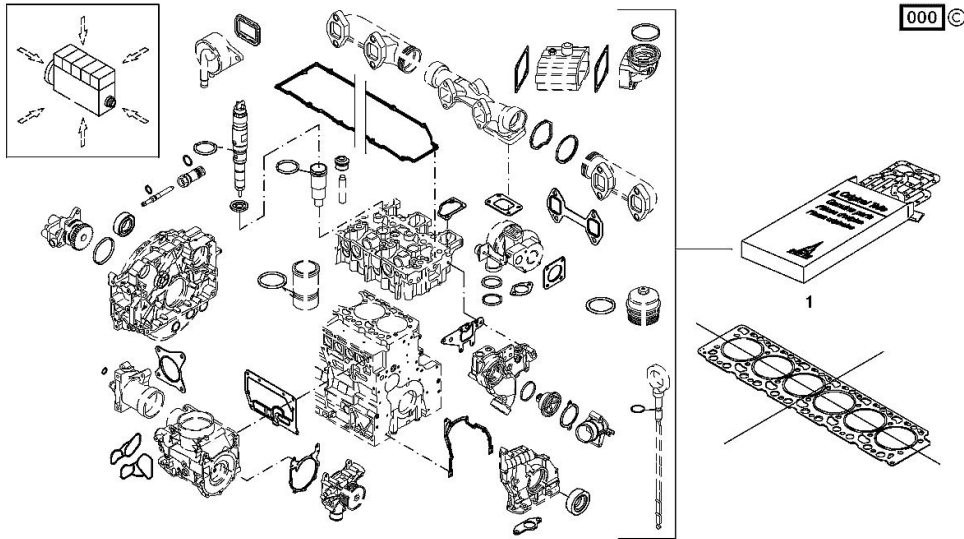
Notes:

[5690 HTS COM 3 ->13900]

Engine serial number:

10547559 10619647

1	02937481	1	gasket set THE KIT DOES NOT CONTAIN ALL THE GASKETS: SEE SM 0199-99-9449
---	----------	---	--



SERIE GUARNIZIONI

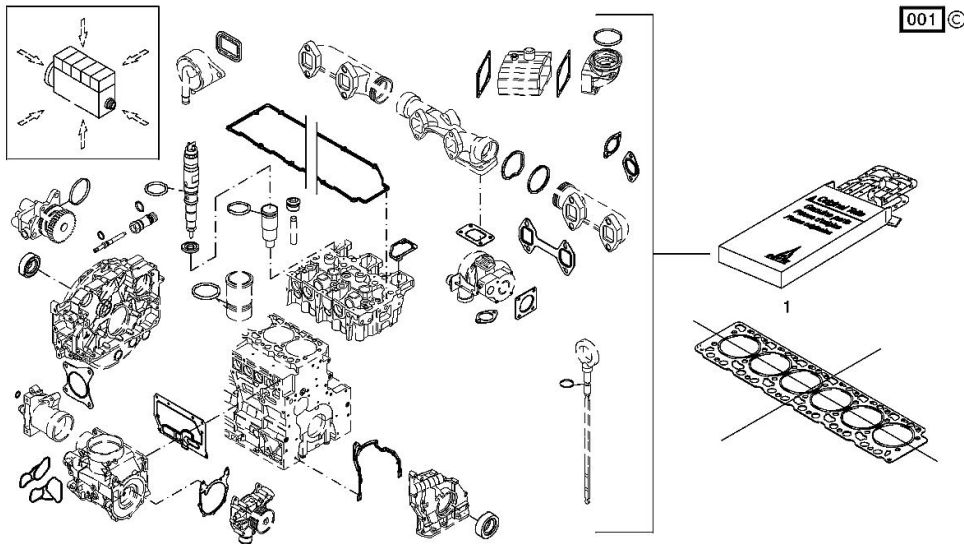
Fig.	P/n	QTY	Name
------	-----	-----	------

Notes:

[5690 HTS COM 3 ->13900]

Engine serial number:

10745353 10755386 10755387 10755388 10755390 10755391 10755392 10755393 10755394 10755395 10755396
 10755397 10755399 10755400 10755401 10755403 10755404 10755405 10764841 10764843 10765284 10765286
 10765289 10765290 10765292 10765293 10765295 10765296 10765297 10765298 10765299 10768183 10768184
 10768186 10773064 10773066 10773069 10773224 10773225 10773230 10773231 10773232 10773233 10774149
 10774151 10774152 10774153 10774154 10774155 10774156 10774157 10774158 10774159 10774160 10774161
 10774162 10774163 10774166 10778644 10778646 10778650 10778651 10778652 10778654 10778655 10778656
 10778657 10778658 10781727 10782168 10782169 10782171 10782172 10786470 10786471 10786473 10786827
 10786829



1	02931818	1	gasket set THE KIT DOES NOT CONTAIN ALL THE GASKETS: SEE SM 0199-99-9449
---	----------	---	--

Section: B0 - ENGINE

BLEEDING TUBE

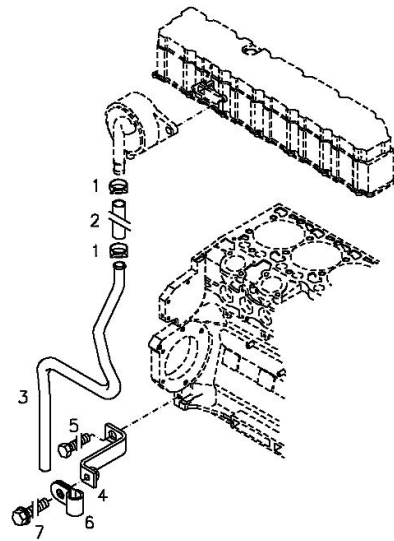
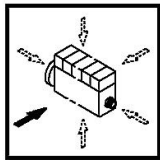
Fig.	P/n	QTY	Name
------	-----	-----	------

Notes:
[5690 HTS COM 3 ->13900]

Engine serial number:
10547559

1	01178750	2	clamp DIN 3021 -A-29X15
2	01178053	1	rubber tube H 3407 -22X29X65
3	04903157	1	tube
4	04903847	1	support
5	01127056	1	screw DIN 933 -M12X20-10.9-A4C
6	01176230	1	fascia H 3223 -C22X15-ST/MVQ-1-70
7	01181439	1	screw EN 1662 -F-M6X16-10.9-ZNAL-A

000 ©



Section: B0 - ENGINE

BLEEDING TUBE

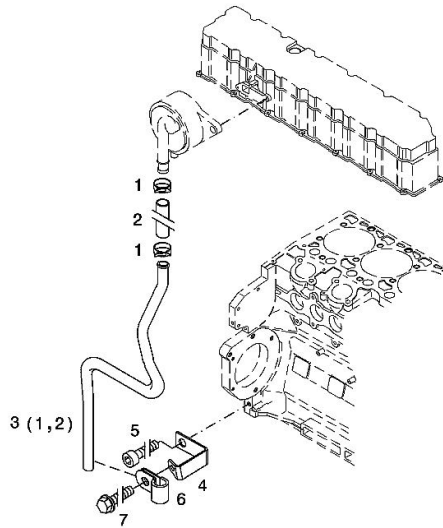
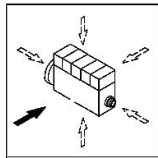
Fig.	P/n	QTY	Name
------	-----	-----	------

Notes:

[5690 HTS COM 3 ->13900]

Engine serial number:

10619647 10621388 10634612 10745353 10755386 10755387 10755388 10755390 10755391 10755392 10755393
 10755394 10755395 10755396 10755397 10755399 10755400 10755401 10755403 10755404 10755405 10764841
 10764843 10765284 10765286 10765289 10765290 10765292 10765293 10765295 10765296 10765297 10765298
 10765299 10768183 10768184 10768186 10773064 10773066 10773069 10773224 10773225 10773230 10773231
 10773232 10773233 10774149 10774151 10774152 10774153 10774154 10774155 10774156 10774157 10774158
 10774159 10774160 10774161 10774162 10774163 10774166 10778644 10778646 10778650 10778651 10778652
 10778654 10778655 10778656 10778657 10778658 10781727 10782168 10782169 10782171 10782172 10786470
 10786471 10786473 10786827 10786829



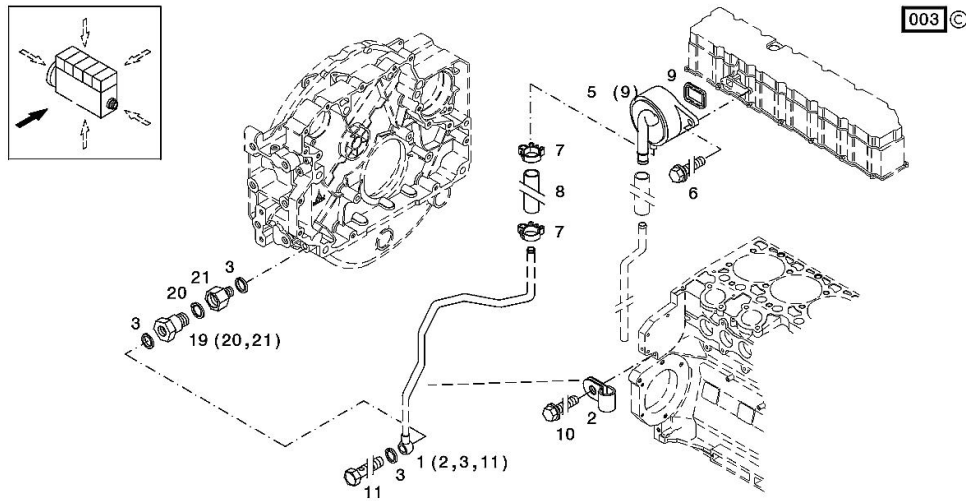
1	01178750	2	clamp DIN 3021 -A-29X15
2	01183057	1	rubber sleeve H 3407 -F22X30X65EAM*
3	04905322	1	tube WITH POS.... 1,2
4	04906422	1	bracket
5	01110746	1	screw m 12 x 20 ISO 4762 -M12X20-8.8-A4C
6	01176230	1	fascia H 3223 -C22X15-ST/MVQ-1-70
7	01181439	1	screw EN 1662 -F-M6X16-10.9-ZNAL-A

Section: B0 - ENGINE
CRANKCASE BREATHER

Fig.	P/n	QTY	Name
------	-----	-----	------

Notes:

[5690 HTS COM 3 ->13900]



1	04905228	1	tube WITH POS.... (2,3,11)
2	01175559	3	fascia H 3223 -C8X15-ST/MVQ-1-70
3	01118673	3	oil seal DIN 7603 -A12X15,5-CU
5	04905110	1	breather WITH POS.... 9
6	01181432	2	screw m8x30 EN 1662 -F-M8X30-10.9-ZNAL-A
7	01180071	2	fascia H 3461 -F-14,0/8
8	01174783	1	rubber tube H 3430 -A8X14X70
9	04298547	1	rubber plug
10	01181442	1	screw m6x12 EN 1662 -F-M6X12-10.9-ZNAL-A
11	01119241	1	pipe union m 12 p.1.5 DIN 7643 -8
19	04905469	1	pipe fitting WITH POS.... (20,21)
20	01118737	1	oil seal 22 x 27 DIN 7603 -A22X27-CU
21	04904834	1	adapter

CRANKCASE BREATHER

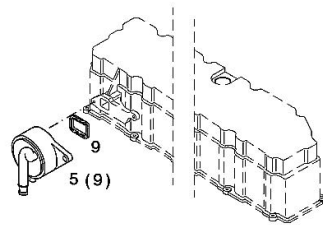
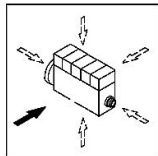
Fig.	P/n	QTY	Name
------	-----	-----	------

Notes:

[5690 HTS COM 3 ->13900]

Engine serial number:

10547559 10619647 10621388 10634612 10745353 10755386 10755387 10755388 10755390 10755391 10755392
 10755393 10755394 10755395 10755396 10755397 10755399 10755400 10755401 10755403 10755404 10755405
 10764841 10764843 10765284 10765286 10765289 10765290 10765292 10765293 10765295 10765296 10765297
 10765298 10765299 10768183 10768184 10768186 10773064 10773066 10773069 10773224 10773225 10773230
 10773231 10773232 10773233 10774149 10774151 10774152 10774153 10774154 10774155 10774156 10774157
 10774158 10774159 10774160 10774161 10774162 10774163 10774166 10778644 10778646 10778650 10778651
 10778652 10778654 10778655 10778656 10778657 10778658 10781727 10782168 10782169 10782171 10782172
 10786470 10786471 10786473 10786827 10786829



5	04905110	1	breather WITH POS.... 9
9	04298547	1	rubber plug

FRONT COVER

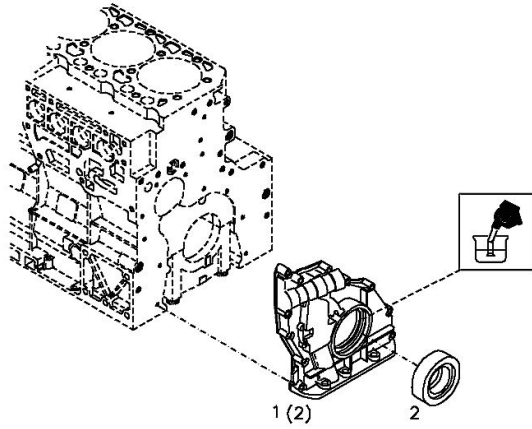
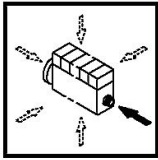
Fig.	P/n	QTY	Name
------	-----	-----	------

Notes:

[5690 HTS COM 3 ->13900]

1	04904956	1	flange WITH POS.... (2)
2	04253373	1	oil seal

000 ©



Thank you so much for reading.
Please click the “Buy Now!”
button below to download the
complete manual.



After you pay.

You can download the most
perfect and complete manual in
the world immediately.

Our support email:

ebooklibonline@outlook.com