

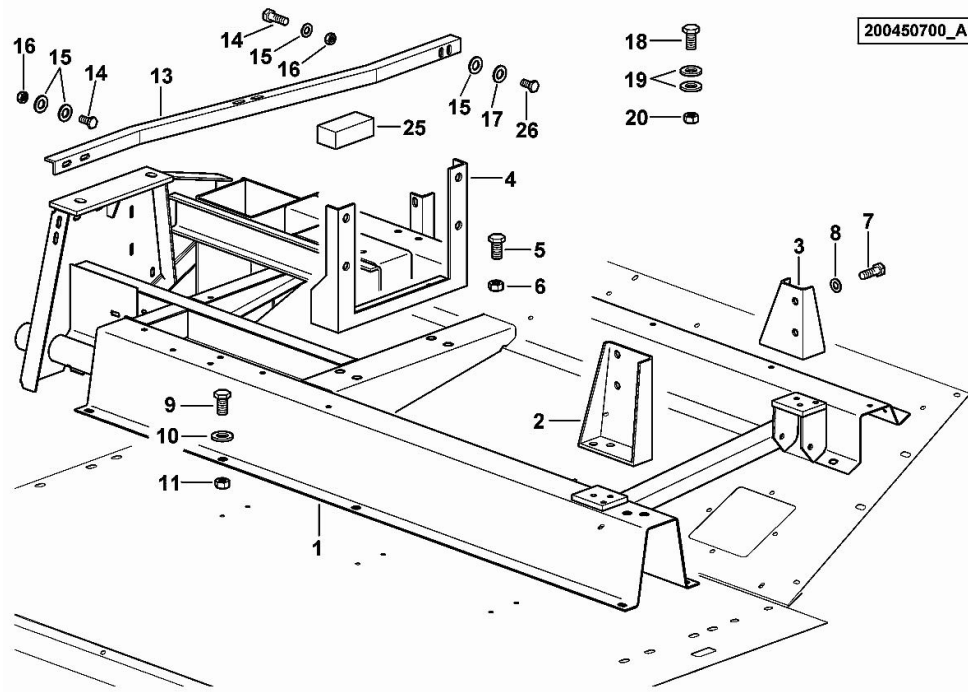
Section: ENGINE

ENGINE ASSEMBLY PARTS BF 6M 1013

Fig.	P/n	QTY	Name
------	-----	-----	------

Notes:

[5690HTS]



1	16054404	1	chassis frame
2	16049855	1	support
3	16049856	1	support
4	16049858	1	support
5	01112663	2	screw m 16 x 25
6	01127856	2	nut m 16, d985
7	01112547	8	screw m 12 x 40, d933
8	01102801	8	washer 12
9	01112538	4	screw m 12 x 35, d933
10	06214206	4	washer 13.2
11	06209769	4	nut m 12, d985
13	16003305	1	square
14	01112439	2	screw m 10 x 35, d933
15	01107165	4	washer 10.5
16	06209768	3	nut m 10, d985
17	01102800	1	washer 10.2
18	01112538	2	screw m 12 x 35, d933
19	01107163	4	washer 9, d126
20	01104944	2	nut m 8, d985
25	06513239	2	shim 40 x 15 x 10
26	01112429	2	screw m 10 x 30, d933

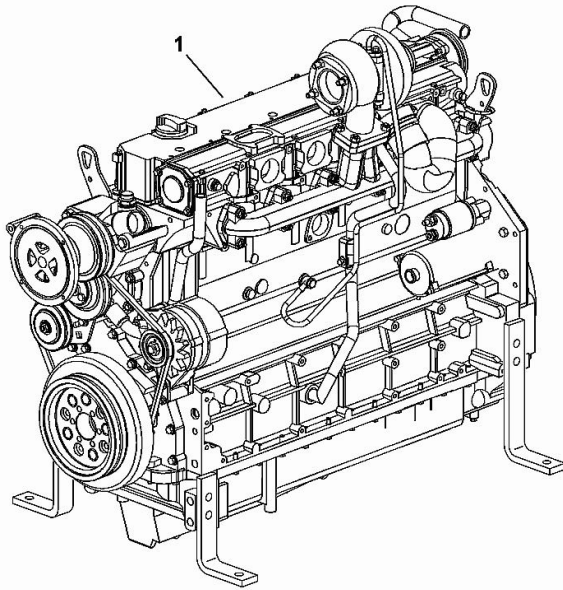
ENGINE

Fig.	P/n	QTY	Name
------	-----	-----	------

Notes:

MOTOR BF 6M 1013 FC 235 KW / 320 PS ----- [5690HTS]

1	25004945	1	engine BF 6 M 1013 EC
---	----------	---	-----------------------



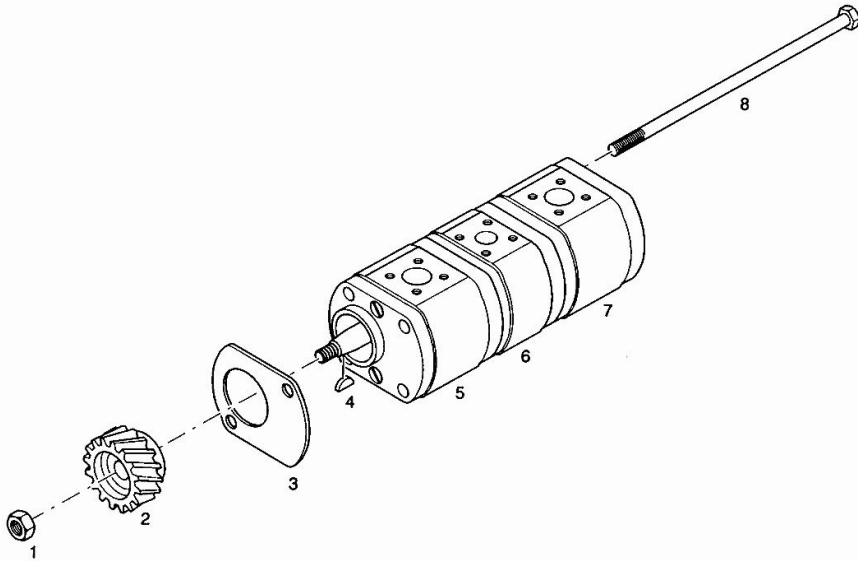
Section: ENGINE

LUBRICAT. OIL PUMP

Fig.	P/n	QTY	Name
------	-----	-----	------

Notes:
[5690HTS]

1	01262635	1	nut
2	04204925	1	gear
3	02239230	1	gasket
4	04417978	1	key 3x5
5	16055700	1	hydraulic pump 14 cm ³ B D30 WORKING HYDR.SYST.
6	16055701	1	hydraulic pump 4 cm ³ B D30 WORKING HYDR.SYST.
6.1	16055810	1	hydraulic pump 8 cm ³ W / B D30 BALANCE
7	16055702	1	hydraulic pump 8 cc B D30 STEERING HYDRAULIC
8	01144456	2	screw m 10 x 285 STANDARD EQUIPMENT
8.1	01137128	2	screw m 10 x 285 W BALANCE



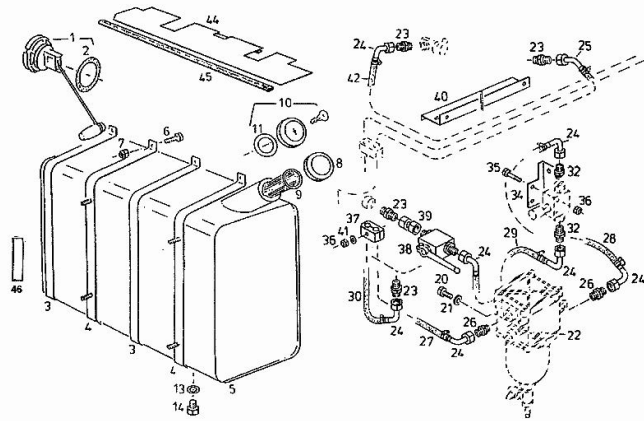
Section: ENGINE

FUEL TANK

Fig.	P/n	QTY	Name
------	-----	-----	------

Notes:

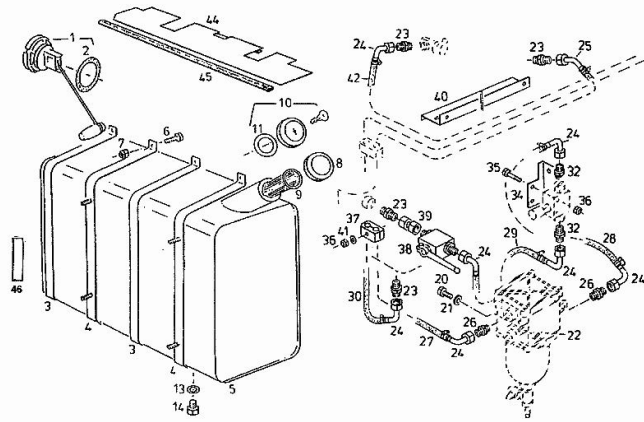
FUEL COOLER SEE DIAGRAM I02 ----- [5690HTS]



1	16028967	1	temperature gauge
2	04389616		oil seal
3	16006397	1	metal strip
4	16006406	1	metal strip
5	16055292	1	fuel tank 555 lt. ☞ 16055292
6	01112547	6	screw m 12 x 40, d933
7	06209769	6	nut m 12, d985
8	01244823	1	plug
9	06255970	1	small mesh
10	01216272	1	cover
11	01211299		oil seal W X 8,10
13	01118700	1	oil seal Ø 16 x 20
14	01118964	2	plug m 16 p.1.5
20	01112322	2	screw m 8 p.1.25 x 20
21	01107101	2	washer 8.4
22	01104944	2	nut m 8, d985
23	16048122	4	pipe fitting GE 15 PL
24	16056913	10	vent Ø 10 / m 22 p.1.5
26	16048123	2	threaded joint ge 15/m22x1,5
27	16056924	1	flexible hose L = mm 3630 G 25,27
28	16056925	1	flexible hose L = mm 300 G 24,28
29	16056975	1	flexible hose L = mm 440 G 24,29
30	16056985	1	flexible hose L = mm 5300 G 24,30
32	01177226	2	pipe fitting m 18 p.1.5 x 15
34	16058142	1	support
35	01111074	2	screw m 6
36	01114357	6	nut m 6, d985
37	06272953	2	terminal Ø 18
38	16056917	1	ball valve
39	16040257	1	tube
40	16058140	1	support
41	06214189	4	washer 6.4
42	16056981	1	flexible hose L = mm 4700
44.1	16056811	1	hood

FUEL TANK

Fig.	P/n	QTY	Name
44.2	01390702		gasket PVC 850 MM
46	16062368	4	rubber



Section: ENGINE

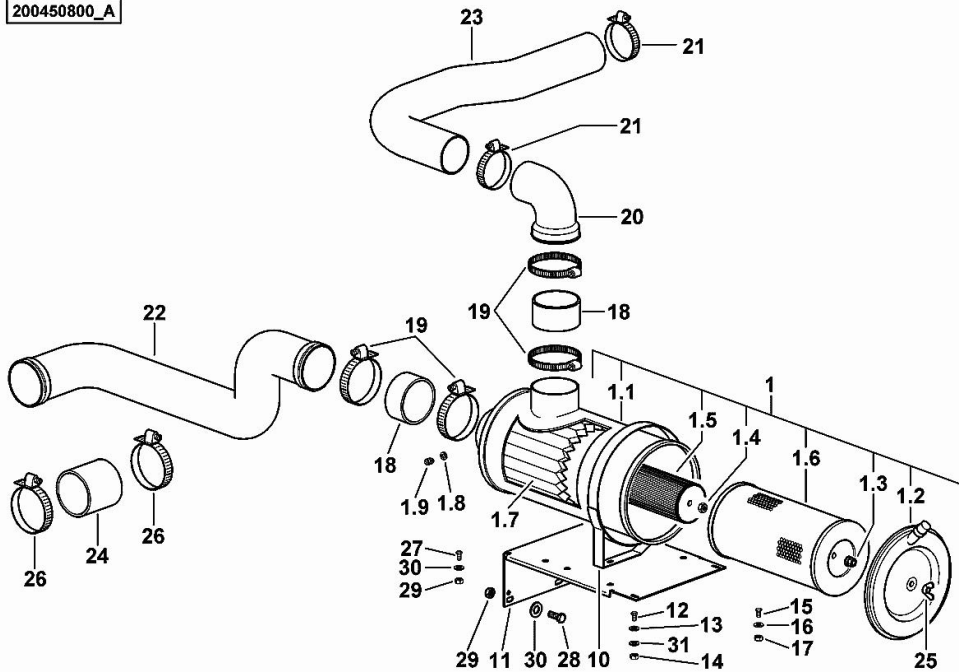
AIR FILTER

Fig.	P/n	QTY	Name
------	-----	-----	------

Notes:

[5690HTS]

200450800_A



1	16049833	1	air filter ☞ 16049833
1.1	0.000.0000.1		cannot be supplied
1.2	16053197	1	cap
1.3	02241268	1	nut
1.4	01151190	1	nut m16x1,5 d439
1.5	16053198	1	filter
1.6	16053199	1	filter
1.7	16053196	1	ring
1.8	03363577	1	ring
1.9	01301726	1	tube
10	16054474	2	interlock
11	16049909	1	bracket
12	01112515	4	screw m 12 x 25
13	01107110	4	washer 13.5
14	06209769	4	nut m 12, d985
15	01112322	2	screw m 8 p.1.25 x 20
16	06214192	2	washer 8.4
17	01104944	2	nut m 8, d985
18	16054477	2	sleeve
19	16061829	4	clamp Ø 150/170
20	16054476	1	tube
21	01128276	2	clamp Ø 110/130
22	16061149	1	primer
23	16061137	1	flexible hose Ø 130 / L = mm 1945
24	16061724	1	sleeve 130x150
25	02169190	1	nut
26	01174127	2	clamp Ø 130/150
27	01103316	1	screw m 6 p.1.0 x 16
28	2.0114.009.2	1	screw m 6 x 25, d933
29	01114357	2	nut m 6, d985
30	01107095	2	washer 6.4
31	01102801	4	washer 12

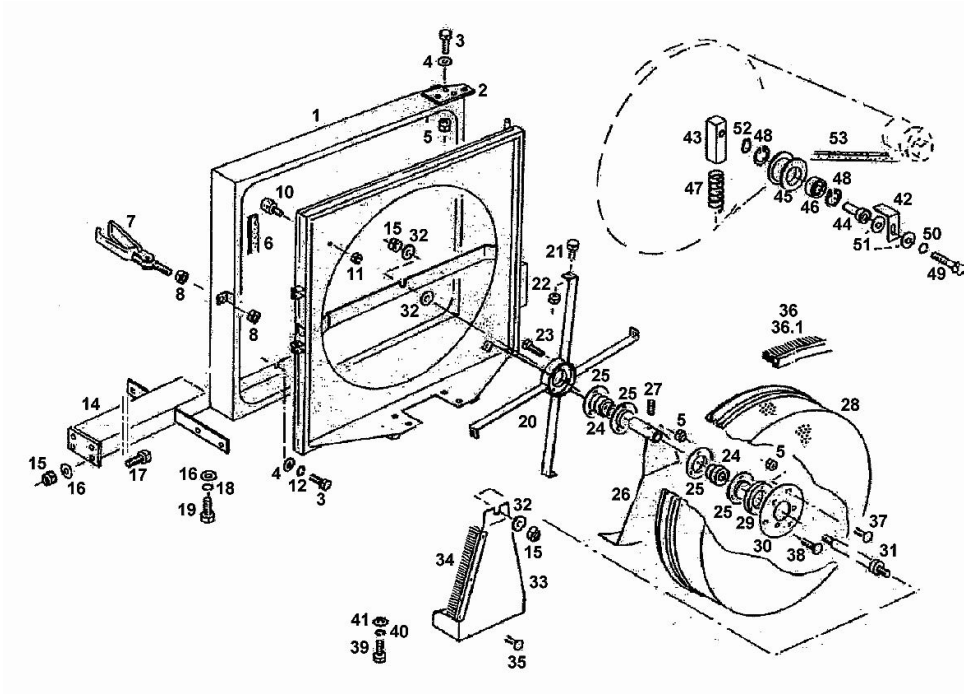
Section: ENGINE

ENGINE COOLING SYSTEM STRAINER

Fig.	P/n	QTY	Name
------	-----	-----	------

Notes:

[5690HTS]

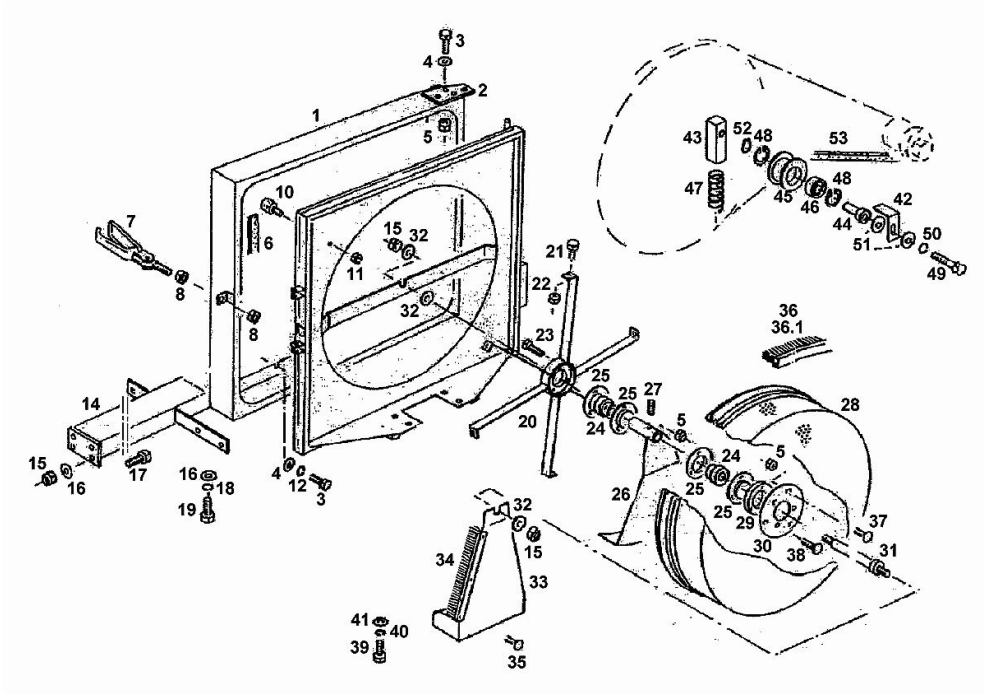


1	16061145	1	chassis frame
2	16049941	1	plate
3	01112330		screw m 8 x 25
4	01107163		washer 9, d126
5	01104944		nut m 8, d985
6	01396986		copper gasket 4300 mm
7	06259239	1	interlock
8	01112858	2	nut m 12, d934
9	16061102	1	chassis frame
10	06253864	1	silent-block
11	01114357	1	nut m 6, d985
12	01102799		washer 8, d128
14	16049880	1	carrier
15	06209769	8	nut m 12, d985
16	06205230		washer 13 x 24 x 2.5
17	01112538	6	screw m 12 x 35, d933
18	01102801	2	washer 12
19	01112515	2	screw m 12 x 25
20	16053693	1	wheel
21	01103316	6	screw m 6 p.1.0 x 16
22	01114357	1	nut m 6, d985
23	01112350	3	screw m 8 x 35
24	06215739	2	bearing yb 20
25	06215781	4	bearing housing rb 20
26	16055226	1	plate
27	01139633	1	grub screw m 6 x 6
28	16055288/10	1	filtering basket kpl.
29	16035507	1	ring 7x12x1800
30	16035511	1	disc
31	16035478	1	shaft m 12
32	01133726	1	washer 13
33	16049857	1	plate
34	16054422	1	brush
35	01143163		screw 4,2x9,5 d7981
36	16055286	1	brush L = mm 3650
36.1	16055287	1	brush L = mm 470
37	01138993	3	screw m 8 x 16
38	01138837	3	screw m 8 x 35
40	01102800	4	washer 10.2
41	01107165	4	washer 10.5
42	16050785	1	angular

Section: ENGINE

ENGINE COOLING SYSTEM STRAINER

Fig.	P/n	QTY	Name
43	16050786	1	small block
44	16055271	1	bush
45	16050788	1	tensioner
46	01128197	1	bearing 2 RS
47	06215299	1	spring
48	01107827	2	circlip 40 x 1.75
49	01136993	1	screw m 12 x 70
50	01102801	1	washer 12
51	06214364	2	disc 13.2
52	01107726	1	circlip 17
53	01145970	1	belt 1/10 x 4060Li



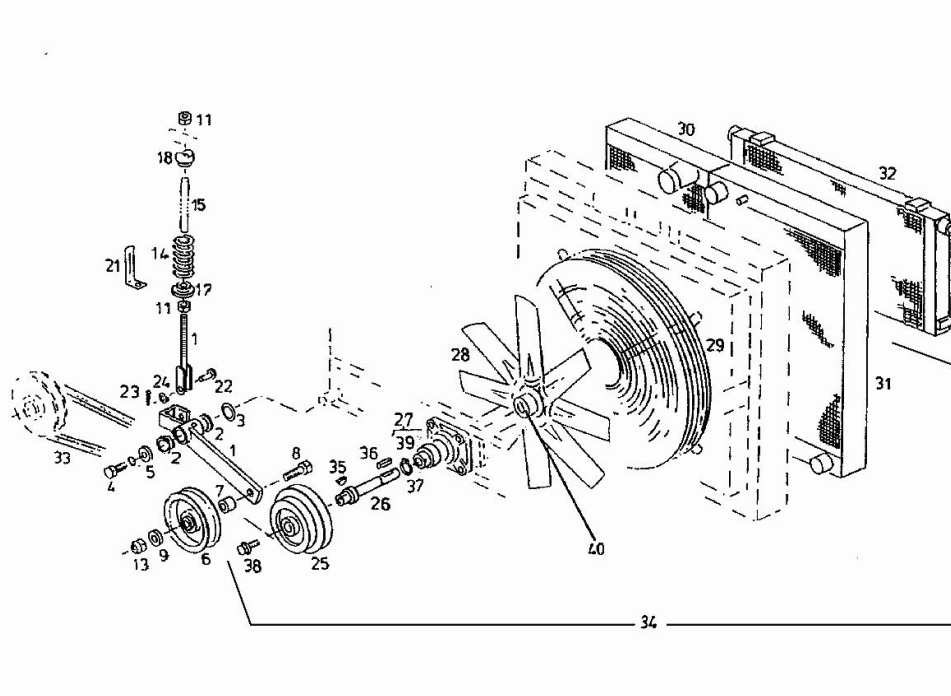
Section: ENGINE

ENGINE COOLING SYSTEM COMBIN. COOLER

Fig.	P/n	QTY	Name
------	-----	-----	------

Notes:

[5690HTS]



1	16054425	1	lever
2	06260680	2	bush 30 x 45 x 20
3	06214234	2	disc 31 x 45 x 2
4	01112515	1	screw m 12 x 25
5	16012311	1	washer 13
6	06253492	1	tensioner 25,4 / 159
7	16054427	1	bush
8	01122463	1	screw m 16 x 65, d933
9	01107117	1	washer 17
11	01112858	2	nut m 12, d934
13	01136464	1	nut m 16
14	06215418	1	spring
15	06260686	1	tube
16	06501950	1	stay m 12
17	06515117	1	disc
18	06519261	1	disc
21	16046800	1	plate
22	06210009	1	small pin 10 x 28 x 24
23	01132625	1	split pin 3.2 x 20
24	01107165	1	washer 10.5
25	16061736	1	pulley
26	16055802	1	shaft
27	16048782	2	bearing 25
28	16055801	1	rotor
29	16055803	1	guard
30	16061741	1	intercooler
31	16061027	1	water cooler
32	16055806	1	radiator
33	01146013	1	belt 1/17 x 2435Li
34	16061018	1	radiator
35	16055807	1	heelpiece
36	06212426	1	stop 8x7x45 d6885
37	01107737	1	ring 25 x 1,2 d471
38	01143382	1	screw
39	01146031	2	special bearing
40	16058823	1	hub

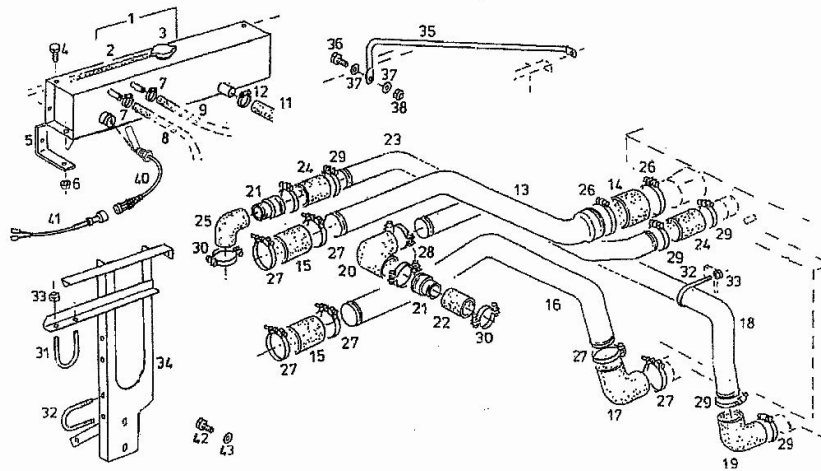
Section: ENGINE

ENGINE COOLING SYSTEM PIPES

Fig.	P/n	QTY	Name
------	-----	-----	------

Notes:

[5690HTS]



1	16062087	1	small tank
2	16048774	1	flexible hose L-4800 mm
3	16048773	1	cover
4	01112333	6	screw m 8 x 25, d933
5	06513009	1	square
6	01104944	6	nut m 8, d985
7	01173965	5	clamp 10-16/9 h3461
8	16055277	1	flexible hose
9	16055278	1	flexible hose
11	16055276	1	flexible hose Ø 22 / L = mm 1400
12	01133514	2	clamp Ø 20/32
13	16061153	1	pipng
14	06258188	1	rubber tube Ø 100
15	16061761	1	rubber tube Ø 80
16	16061154	1	pipng
17	16049954	1	rubber tube Ø 80
18	16061152	1	pipng
19	16054481	1	flexible hose Ø 70
20	16043511	1	rubber tube Ø 70
21	16038123	2	reduction unit
22	16038977	1	flexible hose 60x70
23	16061142	1	pipng
24	01182638	2	sleeve
25	16054482	1	rubber tube Ø 50
26	16055273	2	fascia 116
27	04450941	6	fascia 85/91
28	01145709	2	fascia Ø 20/78
29	01145712	6	fascia Ø 82/20
30	01145710	4	fascia Ø 60/20
31	16061206	2	u bolt 8
32	16049946	3	u bolt m 8
33	01104944	10	nut m 8, d985
34	16061150	1	support
35	16054693	1	tube
36	01112264	2	screw m 6 x 20, d933
37	01119810	3	washer 6.4
38	01114357	2	nut m 6, d985
40	16061798	1	temperature gauge
41	16062294	1	electric cable
42	01112333	2	screw m 8 x 25, d933
43	06214358	14	washer 8.4

Section: ENGINE

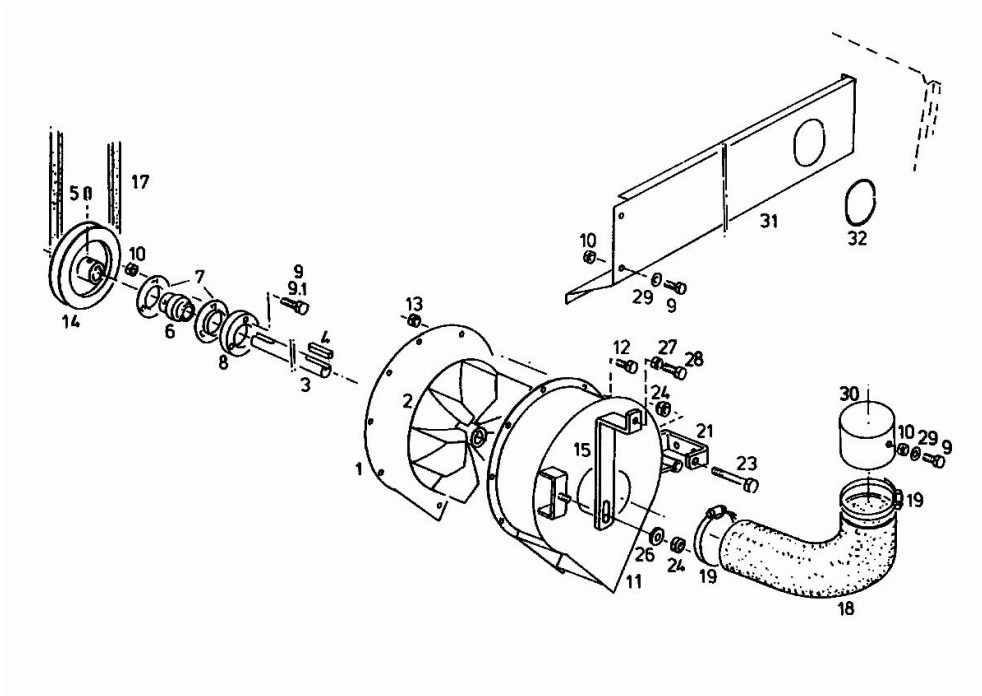
ENGINE INTAKE FAN

Fig.	P/n	QTY	Name
------	-----	-----	------

Notes:

[5690HTS]

1	16054639	1	cap
2	16054620	1	fan
3	16054645	1	shaft 15.95x19 m10
4	06212403	2	stick 6x6x40
5	06208993	2	grub screw m 8 x 10
6	06215739	2	bearing yb 20
7	06215781	4	bearing housing rb 20
8	16035507	1	ring 7x12x1800
9	01112341	6	screw m 8 x 30, d933
9.1	01112322	9	screw m 8 p.1.25 x 20
10	01104944	9	nut m 8, d985
11	16054615	1	plate
12	01112240	9	screw m 6 x 12
13	01114357	9	nut m 6, d985
14	16054440	1	pulley 1/17x170
15	16055245	1	link
17	01116096	1	belt 1/17 x 2360
18	16055244	1	flexible hose
19	01174127	2	clamp Ø 130/150
21	16054642	1	support
23	06209198	1	screw m 12 x 150, d931
24	06209769	1	nut m 12, d985
25	01123616		washer 13.5
26	01133726	1	washer 13
27	01136453	1	nut m 10
28	01112439	1	screw m 10 x 35, d933
29	01107163	3	washer 9, d126
30	16055246	1	tube
31	16055267	1	cover
32	06258483	1	guard



Thank you so much for reading.
Please click the “Buy Now!”
button below to download the
complete manual.



After you pay.

You can download the most
perfect and complete manual in
the world immediately.

Our support email:

ebooklibonline@outlook.com