

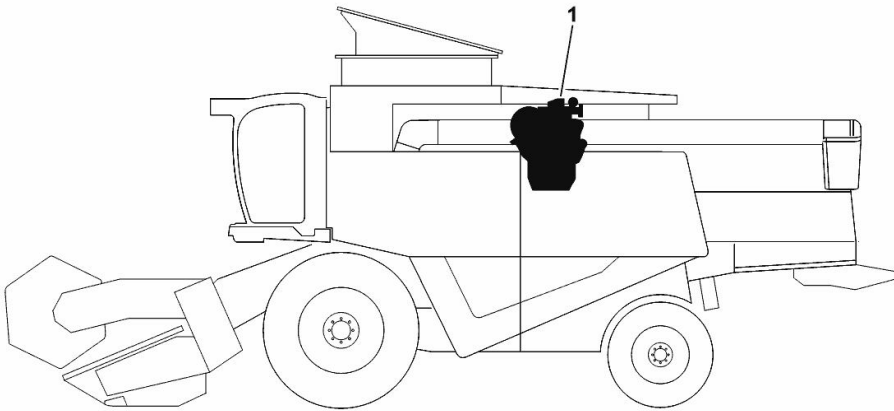
DEUTZ ENGINE 183 kW / 250 CV

Fig.	P/n	QTY	Name
------	-----	-----	------

Notes:

[6060 HTS ->14500]

1	25007810	1	engine TCD 2012 L06-4V ON ORDERING PLEASE ENGINE NO. REQUIRED
---	----------	---	---



H9_Z75A0_00_0-A-001

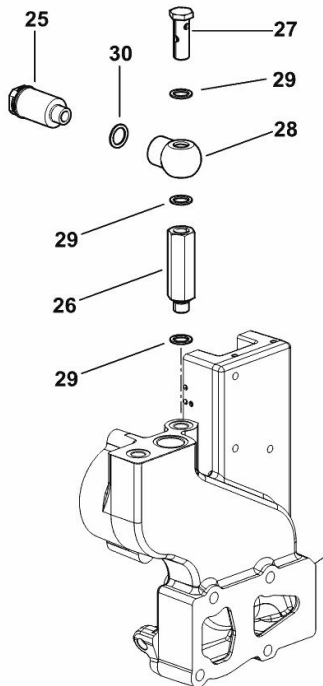
PARTS SET - ENGINE MOUNTING

Fig.	P/n	QTY	Name
------	-----	-----	------

Notes:

[6060 HTS ->14500]

25	16064285	1	connection
26	2.3249.800.2	1	pipe union m14x1.5
27	2.3249.799.2	1	pipe union m14x1.5
28	2.3249.694.2	1	pipe fitting
29	2.1560.010.0	3	gasket 14.2 x 20
30	2.1560.012.0	1	gasket 16.2 x 22



H9_Z75A0_01_0-D-001



FASTENINGS

Fig.	P/n	QTY	Name
------	-----	-----	------

Notes:

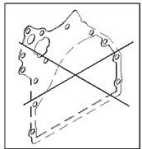
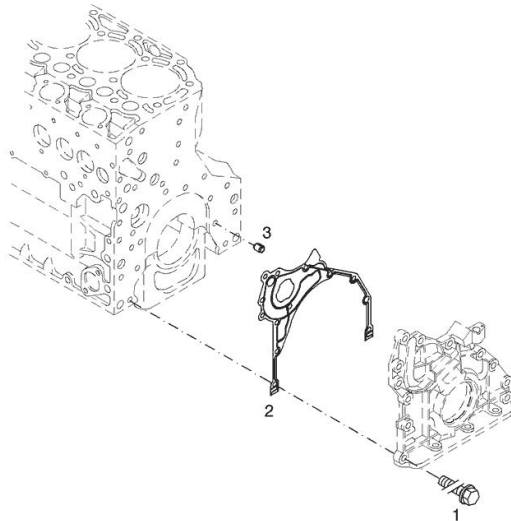
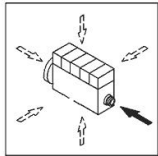
[6060 HTS ->14500]

Engine serial number:

10828275 10828277 10828278 10828279 10828283 10828284 10863525 10863526 10863528 10871807 10871808
 10871809 10871810 10892333 10892334 10892335 10892336 10906908 10906909 10906912 10906914 10906916
 10956738 10956743 10956744 10980638 10980639 10980641 10991725 11009025 11009027 11009030 11009031
 11009032 11009034 11009035 11009037 11009039 11009041 11009042 11009043 11009044 11009045 11009046
 11009047 11009049 11009050 11009051 11009052

003 ©

1	01183645	12	screw EN 1662 -F-M8X35-10.9-ZNAL-A
2	04504325	1	gasket
3	01181406	1	bushing H 2341 -B11X8-FE/ZN12C*

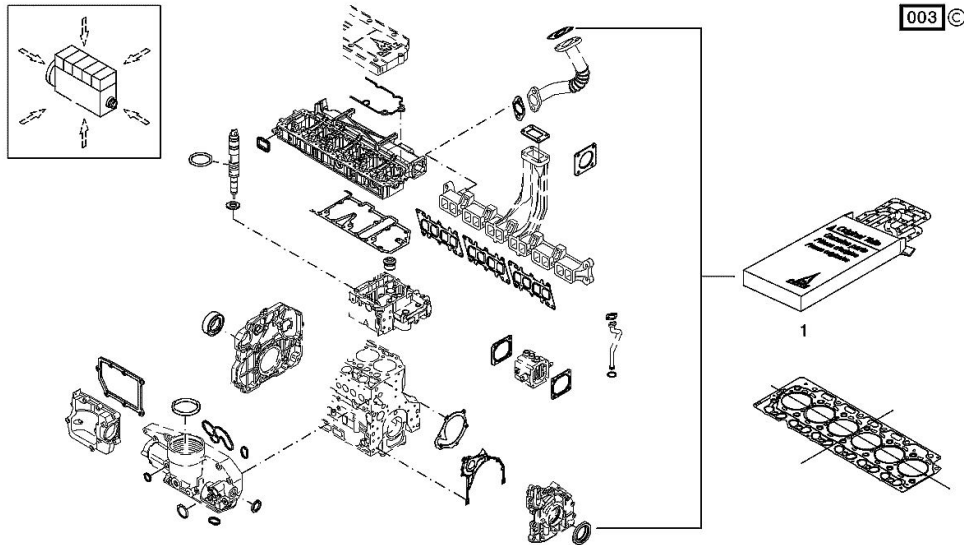


Section: B0 - ENGINE
SERIE GUARNIZIONI

Fig.	P/n	QTY	Name
------	-----	-----	------

Notes:
 [6060 HTS ->14500]

Engine serial number:
 10828275 10828277 10828278 10828279 10828283 10828284 10863525 10863526 10863528 10871807 10871808
 10871809 10871810 10892333 10892334 10892335 10892336 10906908 10906909 10906912 10906914 10906916
 10956738 10956743 10956744 10980638 10980639 10980641 10991725 11009025 11009027 11009030 11009031
 11009032 11009034 11009035 11009037 11009039 11009041 11009042 11009043 11009044 11009045 11009046
 11009047 11009049 11009050 11009051 11009052



1	02937590	1	gasket set THE KIT DOES NOT CONTAIN ALL THE GASKETS: SEE SM 0199-99-9449
---	----------	---	--

FASTENINGS

Fig.	P/n	QTY	Name
------	-----	-----	------

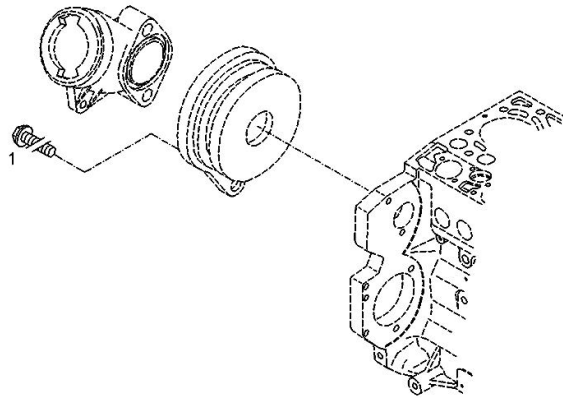
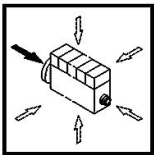
Notes:

[6060 HTS ->14500]

Engine serial number:

10828275 10828277 10828278 10828279 10828283 10828284 10863525 10863526 10863528 10871807 10871808
 10871809 10871810 10892333 10892334 10892335 10892336 10906908 10906909 10906912 10906914 10906916
 10956738 10956743 10956744 10980638 10980639 10980641 10991725 11009025 11009027 11009030 11009031
 11009032 11009034 11009035 11009037 11009039 11009041 11009042 11009043 11009044 11009045 11009046
 11009047 11009049 11009050 11009051 11009052

1	01181438	1	screw 30 Nm EN 1662 -F-M8X55-10.9-ZNAL-A
2	01181437	3	screw 20 Nm EN 1662 -F-M8X45-10.9-ZNAL-A



000

Section: B0 - ENGINE
CRANKCASE BREATHER

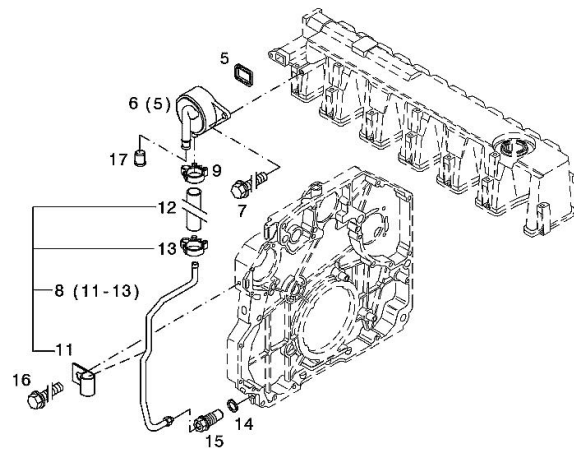
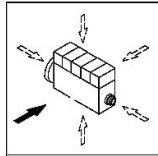
Fig.	P/n	QTY	Name
------	-----	-----	------

Notes:

[6060 HTS ->14500]

Engine serial number:

10828275 10828277 10828278 10828279 10828283 10828284 10863525 10863526 10863528 10871807 10871808
 10871809 10871810 10892333 10892334 10892335 10892336 10906908 10906909 10906912 10906914 10906916
 10956738 10956743 10956744 10980638 10980639 10980641 10991725 11009025 11009027 11009030 11009031
 11009032 11009034 11009035 11009037 11009039 11009041 11009042 11009043 11009044 11009045 11009046
 11009047 11009049 11009050 11009051 11009052



002 ©

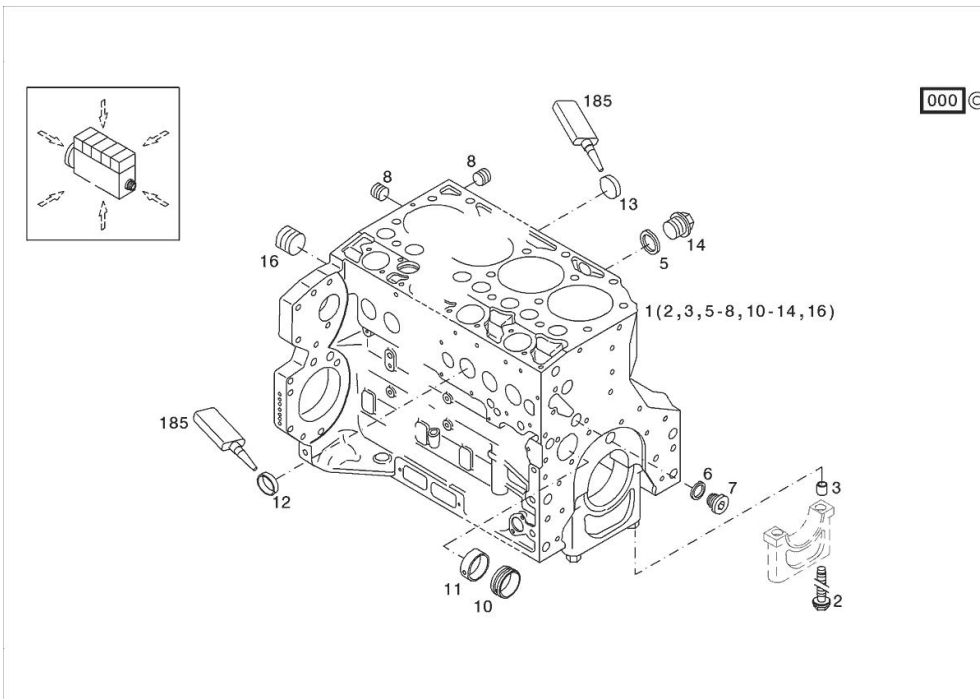
5	04298547	1	rubber plug
6	04905110	1	breather WITH POS.... (5)
7	01181432	2	screw m8x30 EN 1662 -F-M8X30-10.9-ZNAL-A
8	04504875	1	tube WITH POS.... 11-13
9	01182878	1	fascia H 3461 -F-13,0/8
11	02144961	1	fascia
12	04288505	1	rubber tube H 3407 -F8X14X97-EAM/ARAMID/EAM
13	01182878	1	fascia H 3461 -F-13,0/8
14	01118737	1	oil seal 22 x 27 DIN 7603 -A22X27-CU
15	04505853	1	pipe union
16	01181442	1	screw m6x12 EN 1662 -F-M6X12-10.9-ZNAL-A
17	01161302	1	bottom H 2873 -A25,5X22,8X17-PEWEICH

Section: B0 - ENGINE
KURBELGEHAEUSE

Fig.	P/n	QTY	Name
------	-----	-----	------

Notes:

[6060 HTS ->14500]



185	01319910	1	guard
1	04506860	1	crankcase MIT POS.... (2,3,5-8,10-14,16)
2	04254240	14	screw 50 Nm , 90° , 90°
3	04160764	14	bushing
5	01118693	2	gasket 14x20 DIN 7603 -A14X20-CU
6	01101342	1	oil seal DIN 7603 -D22X27-CU
7	04292706	1	plug 80 Nm
8	01182031	2	screw 35 Nm H 2812 -906-M14X1,5-ST-A3C-LOCTITE506
10	04251884	6	plug
11	04250086	1	ring
12	01148032	9	cover DIN 443 -A45-ZNPHR
13	01148031	5	plug DIN 443 -A36-ZNPHR
14	01100940	2	screw 35 Nm DIN 7604 -AM14X1,5-ST-A4C
16	04226536	1	bottom 30 Nm

Section: B0 - ENGINE

CRANKCASE

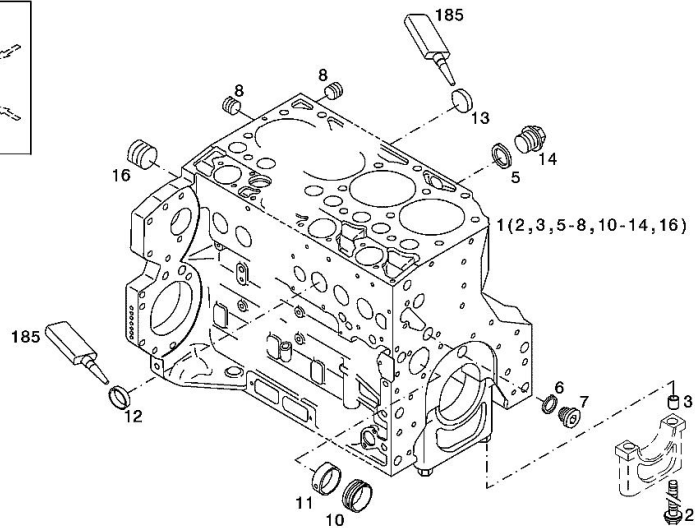
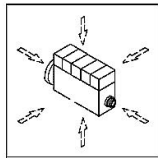
Fig.	P/n	QTY	Name
------	-----	-----	------

Notes:

[6060 HTS ->14500]

Engine serial number:

10828275 10828277 10828278 10828279 10828283 10828284 10863525 10863526 10863528 10871807 10871808
 10871809 10871810 10892333 10892334 10892335 10892336 10906908 10906909 10906912 10906914 10906916
 10956738 10956743 10956744 10980638 10980639 10980641 10991725 11009025 11009027 11009030 11009031
 11009032 11009034 11009035 11009037 11009039 11009041 11009042 11009043 11009044 11009045 11009046
 11009047 11009049 11009050 11009051 11009052



000 ©

1	04296594	1	crankcase WITH POS.... (2,3,5-8,10-14,16)
2	04254240	14	screw
3	04160764	14	bushing
5	01118693	2	gasket 14x20 DIN 7603 -A14X20-CU
6	01101342	1	oil seal DIN 7603 -D22X27-CU
7	04292706	1	plug
8	01182031	2	screw H 2812 -906-M14X1,5-ST-A3C-LOCTITE506
10	04251884	6	plug
11	04250086	1	ring
12	01148032	9	cover DIN 443 -A45-ZNPHR
13	01148031	5	plug DIN 443 -A36-ZNPHR
14	01100940	2	screw DIN 7604 -AM14X1,5-ST-A4C
16	04226536	1	bottom
185	01016125	1	guard H 0699 -DEUTZDW72-250ML

DIPSTICK

Fig.	P/n	QTY	Name
------	-----	-----	------

Notes:

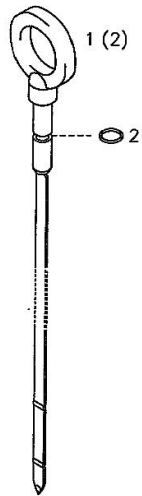
[6060 HTS ->14500]

Engine serial number:

10828275 10828277 10828278 10828279 10828283 10828284 10863525 10863526 10863528 10871807 10871808
 10871809 10871810 10892333 10892334 10892335 10892336 10906908 10906909 10906912 10906914 10906916
 10956738 10956743 10956744 10980638 10980639 10980641 10991725 11009025 11009027 11009030 11009031
 11009032 11009034 11009035 11009037 11009039 11009041 11009042 11009043 11009044 11009045 11009046
 11009047 11009049 11009050 11009051 11009052

1	01180110	1	dipstick WITH POS.... (2)
2	01165973	1	ring 5x1,5 H 3535 -BG-683-650X13-OE
10	01017932		ring H 2927 -5X1,5-NBR-1-60 Nr. material: only for calculating the quantity CALCULATION

000



Section: B0 - ENGINE

ACCESSORIES

Fig.	P/n	QTY	Name
------	-----	-----	------

Notes:

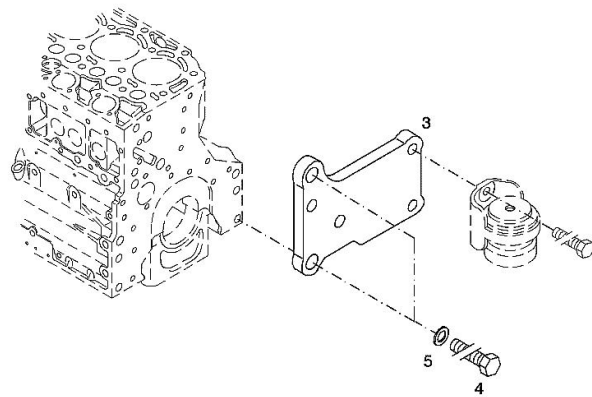
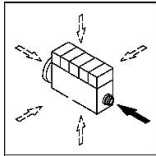
[6060 HTS ->14500]

Engine serial number:

10828275 10828277 10828278 10828279 10828283 10828284 10863525 10863526 10863528 10871807 10871808
 10871809 10871810 10892333 10892334 10892335 10892336 10906908 10906909 10906912 10906914 10906916
 10956738 10956743 10956744 10980638 10980639 10980641 10991725 11009025 11009027 11009030 11009031
 11009032 11009034 11009035 11009037 11009039 11009041 11009042 11009043 11009044 11009045 11009046
 11009047 11009049 11009050 11009051 11009052

006 ©

3	04288659	1	support
4	01148261	2	screw ISO 4017 -M16X40-10.9-ZNAL-A
5	01181400	2	washer H 2308 -18X25X1,5-A4C



Section: B0 - ENGINE

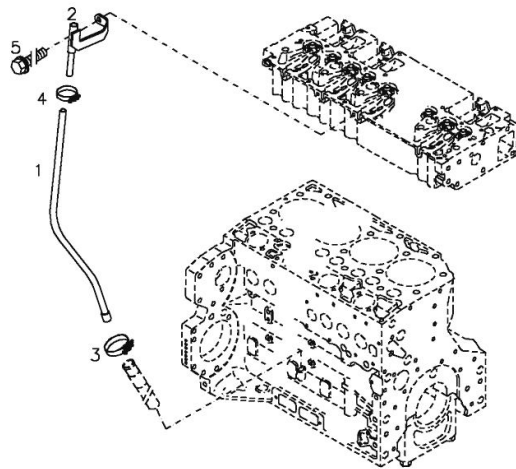
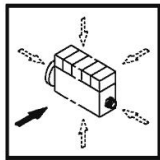
OIL MEASURING DEVICE

Fig.	P/n	QTY	Name
------	-----	-----	------

Notes:

[6060 HTS ->14500]

950	01180461	1	clamp H 3461 -F-15,0/8
1	04291689	1	tube
2	04291687	1	support
3	01166353	1	fascia BIS BAUMONAT (A) AB BAUMONAT SIEHE POS. (B) A = 10.2015 B = Pos.950 2 Nm DIN 3017 -B1-15X9-W1-2
4	01166350	1	fascia 2 Nm DIN 3017 -B1-12X9-W1-2
5	01181436	1	screw 20 Nm EN 1662 -F-M8X16-LG2,5-10.9-ZNAL-A



000 ©

Thank you so much for reading.
Please click the “Buy Now!”
button below to download the
complete manual.



After you pay.

You can download the most
perfect and complete manual in
the world immediately.

Our support email:

ebooklibonline@outlook.com