

Section: B0 - ENGINE
DEUTZ ENGINE 183 kW / 250 CV

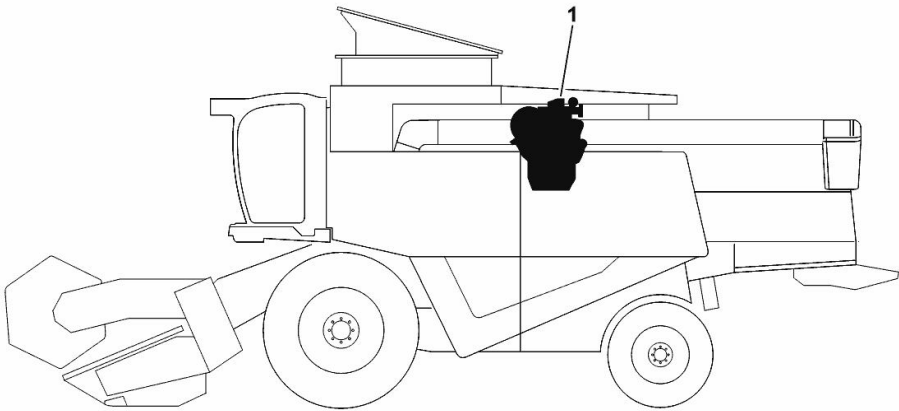
Ref: B0.00.0 (1)

Fig.	P/n	QTY	Name
------	-----	-----	------

Notes:

[6060 HTS CLIMBER]

1	25007810	1	engine TCD 2012 L06-4V ON ORDERING PLEASE ENGINE NO. REQUIRED
---	----------	---	---



H9_Z75A0_00_0-A-001

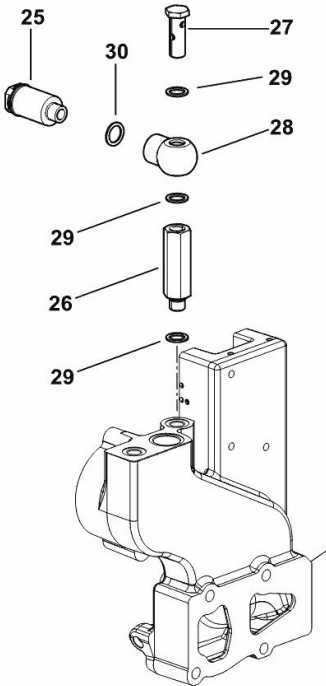
PARTS SET - ENGINE MOUNTING

Fig.	P/n	QTY	Name
------	-----	-----	------

Notes:

[6060 HTS CLIMBER]

25	16064285	1	connection
26	2.3249.800.2	1	pipe union m14x1.5
27	2.3249.799.2	1	pipe union m14x1.5
28	2.3249.694.2	1	pipe fitting
29	2.1560.010.0	3	gasket 14.2 x 20
30	2.1560.012.0	1	gasket 16.2 x 22



H9_Z75A0_01_0-D-001

Section: B0 - ENGINE
FASTENINGS

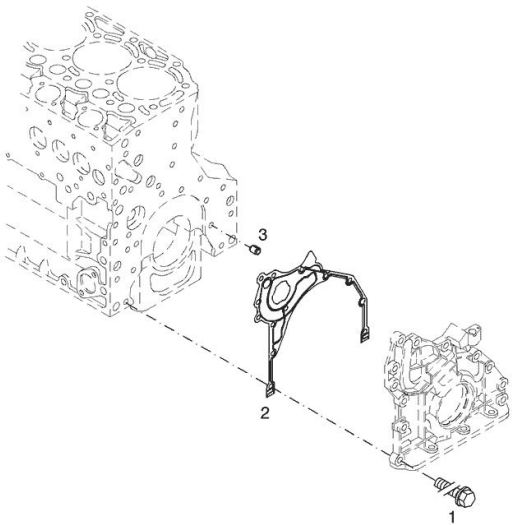
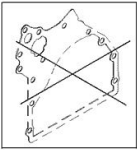
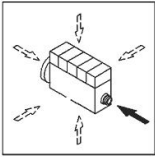
Ref: B0.01.0

Fig.	P/n	QTY	Name
------	-----	-----	------

Notes:
[6060 HTS CLIMBER]

Engine serial number:
10828281 10828282 10863523 10863529 10863530 10956739 10956740 10956741 10956742

1	01183645	12	screw EN 1662 -F-M8X35-10.9-ZNAL-A
2	04504325	1	gasket
3	01181406	1	bushing H 2341 -B11X8-FE/ZN12C*



003 ©

FASTENINGS

Fig.	P/n	QTY	Name
------	-----	-----	------

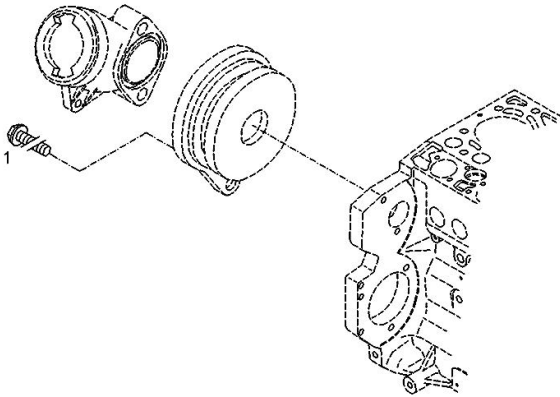
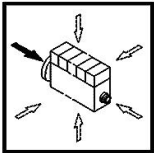
Notes:

[6060 HTS CLIMBER]

Engine serial number:

10828281 10828282 10863523 10863529 10863530 10956739 10956740 10956741 10956742

1	01181438	1	screw 30 Nm EN 1662 -F-M8X55-10.9-ZNAL-A
2	01181437	3	screw 20 Nm EN 1662 -F-M8X45-10.9-ZNAL-A



Section: B0 - ENGINE
SERIE GUARNIZIONI

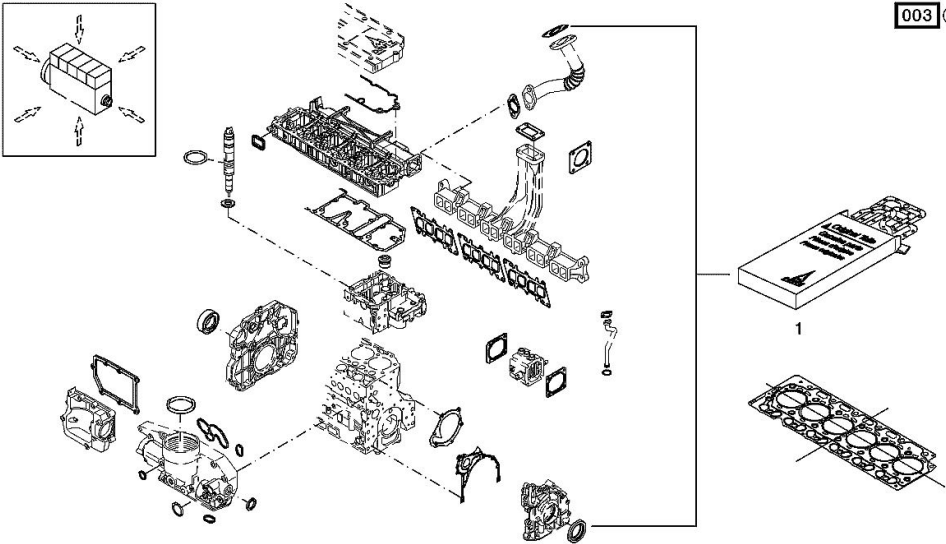
Ref: B0.01.4

Fig.	P/n	QTY	Name
------	-----	-----	------

Notes:
[6060 HTS CLIMBER]

Engine serial number:
10828281 10828282 10863523 10863529 10863530 10956739 10956740 10956741 10956742

1	02937590	1	gasket set THE KIT DOES NOT CONTAIN ALL THE GASKETS: SEE SM 0199-99-9449
---	----------	---	--



CRANKCASE BREATHER

Fig.	P/n	QTY	Name
------	-----	-----	------

Notes:

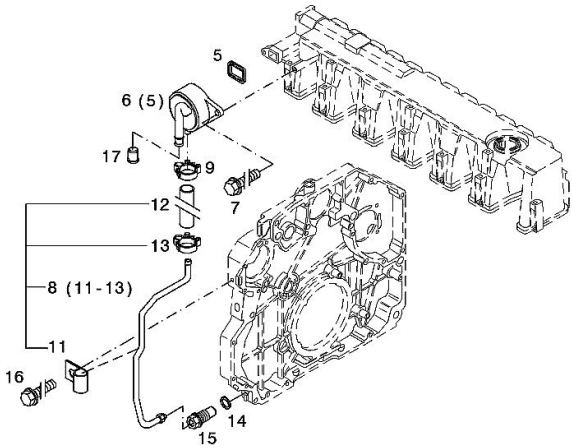
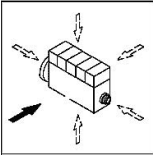
[6060 HTS CLIMBER]

Engine serial number:

10828281 10828282 10863523 10863529 10863530 10956739 10956740 10956741 10956742

5	04298547	1	rubber plug
6	04905110	1	breather WITH POS.... (5)
7	01181432	2	screw m8x30 EN 1662 -F-M8X30-10.9-ZNAL-A
8	04504875	1	tube WITH POS.... 11-13
9	01182878	1	fascia H 3461 -F-13,0/8
11	02144961	1	fascia
12	04288505	1	rubber tube H 3407 -F8X14X97-EAM/ARAMID/EAM
13	01182878	1	fascia H 3461 -F-13,0/8
14	01118737	1	oil seal 22 x 27 DIN 7603 -A22X27-CU
15	04505853	1	pipe union
16	01181442	1	screw m6x12 EN 1662 -F-M6X12-10.9-ZNAL-A
17	01161302	1	bottom H 2873 -A25,5X22,8X17-PEWEICH

002 ©



Section: B0 - ENGINE
CRANKCASE

Ref: B0.01.6

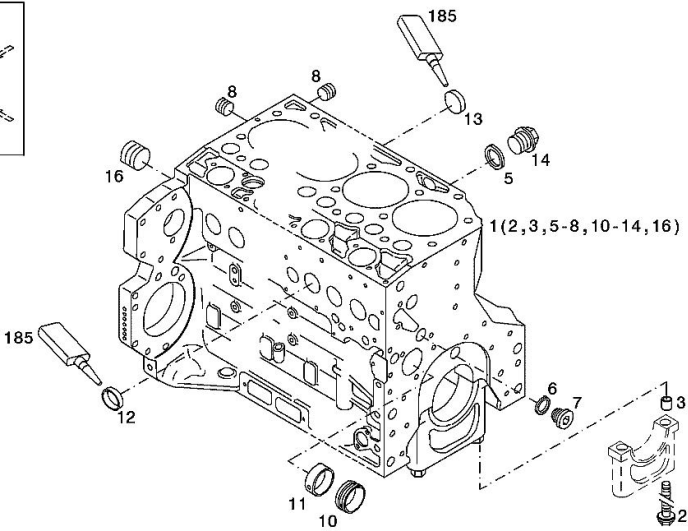
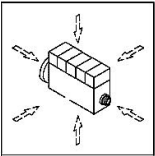
Fig.	P/n	QTY	Name
------	-----	-----	------

Notes:
[6060 HTS CLIMBER]

Engine serial number:
10828281 10828282 10863523 10863529 10863530 10956739 10956740 10956741 10956742

1	04296594	1	crankcase WITH POS.... (2,3,5-8,10-14,16)
2	04254240	14	screw
3	04160764	14	bushing
5	01118693	2	gasket 14x20 DIN 7603 -A14X20-CU
6	01101342	1	oil seal DIN 7603 -D22X27-CU
7	04292706	1	plug
8	01182031	2	screw H 2812 -906-M14X1,5-ST-A3C-LOCTITE506
10	04251884	6	plug
11	04250086	1	ring
12	01148032	9	cover DIN 443 -A45-ZNPHR
13	01148031	5	plug DIN 443 -A36-ZNPHR
14	01100940	2	screw DIN 7604 -AM14X1,5-ST-A4C
16	04226536	1	bottom
185	01016125	1	guard H 0699 -DEUTZDW72-250ML

000 ©



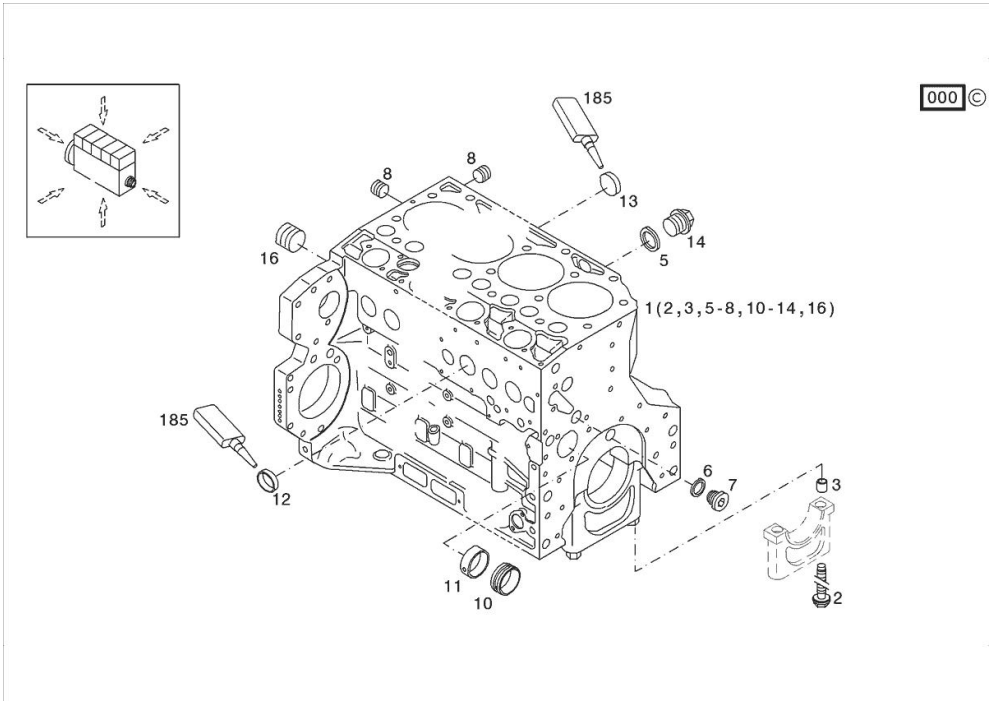
Section: B0 - ENGINE
KURBELGEHAEUSE

Ref: B0.01.6

Fig.	P/n	QTY	Name
------	-----	-----	------

Notes:
[6060 HTS CLIMBER]

185	01319910	1	guard
1	04506860	1	crankcase MIT POS.... (2,3,5-8,10-14,16)
2	04254240	14	screw 50 Nm , 90° , 90°
3	04160764	14	bushing
5	01118693	2	gasket 14x20 DIN 7603 -A14X20-CU
6	01101342	1	oil seal DIN 7603 -D22X27-CU
7	04292706	1	plug 80 Nm
8	01182031	2	screw 35 Nm H 2812 -906-M14X1,5-ST-A3C-LOCTITE506
10	04251884	6	plug
11	04250086	1	ring
12	01148032	9	cover DIN 443 -A45-ZNPHR
13	01148031	5	plug DIN 443 -A36-ZNPHR
14	01100940	2	screw 35 Nm DIN 7604 -AM14X1,5-ST-A4C
16	04226536	1	bottom 30 Nm



DIPSTICK

Fig.	P/n	QTY	Name
------	-----	-----	------

Notes:

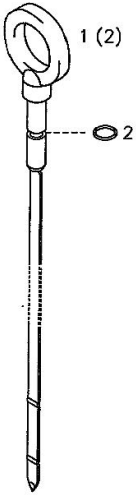
[6060 HTS CLIMBER]

Engine serial number:

10828281 10828282 10863523 10863529 10863530 10956739 10956740 10956741 10956742

1	01180110	1	dipstick WITH POS.... (2) H 3535 -BG-683-650X13-OE
2	01165973	1	ring 5x1,5 H 2927 -5X1,5-NBR-1-60
10	01017932		ring Nr. material: only for calculating the quantity CALCULATION

000



ACCESSORIES

Fig.	P/n	QTY	Name
------	-----	-----	------

Notes:

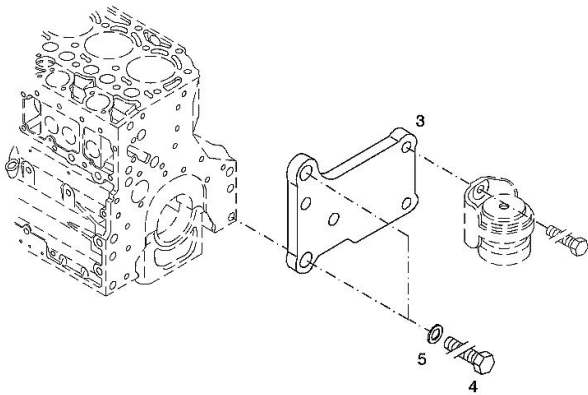
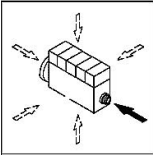
[6060 HTS CLIMBER]

Engine serial number:

10828281 10828282 10863523 10863529 10863530 10956739 10956740 10956741 10956742

3	04288659	1	support
4	01148261	2	screw ISO 4017 -M16X40-10.9-ZNAL-A
5	01181400	2	washer H 2308 -18X25X1,5-A4C

006 ©



OIL MEASURING DEVICE

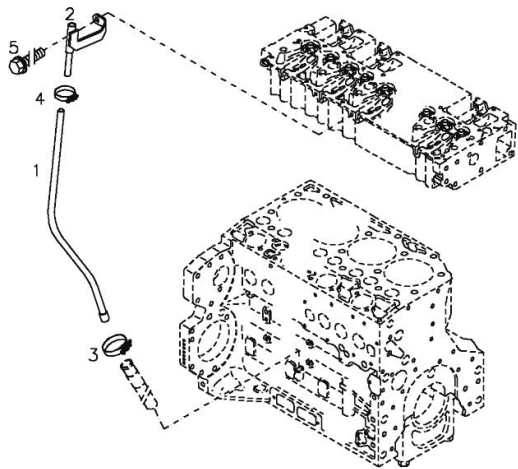
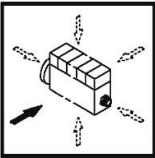
Fig.	P/n	QTY	Name
------	-----	-----	------

Notes:

[6060 HTS CLIMBER]

950	01180461	1	clamp H 3461 -F-15,0/8
1	04291689	1	tube
2	04291687	1	support
3	01166353	1	fascia BIS BAUMONAT (A) AB BAUMONAT SIEHE POS. (B) A = 10.2015 B = Pos.950 2 Nm DIN 3017 -B1-15X9-W1-2
4	01166350	1	fascia 2 Nm DIN 3017 -B1-12X9-W1-2
5	01181436	1	screw 20 Nm EN 1662 -F-M8X16-LG2,5-10.9-ZNAL-A

000 ©



Thank you so much for reading.
Please click the “Buy Now!”
button below to download the
complete manual.



After you pay.

You can download the most
perfect and complete manual in
the world immediately.

Our support email:

ebooklibonline@outlook.com